

SA11 MACHINECARD



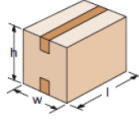
DATE

CUSTOMER

MACHINE TYPE SA11

SA11/4

SM11



SM11 Range : Automatic Fix Size Cartons Sealing Machines

Standard

Taping Head K11/70	L	W	H
Min.	200	150	120
Max.	600	500	600

Taping Head K11/50	L	W	H
Min.	200	150	100
Max.	600	500	600

Any different dimension out of the standards above will be on request.

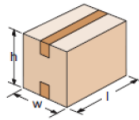
Configurable

On Demand

Taping Head K12/70	L	W	H
Min.	200	150	120
Max.	600	500	600

Taping Head K12/50	L	W	H
Min.	200	150	100
Max.	600	500	600

SM11/4



Standard

Taping Head K11/30	L	W	H
Min.	200	105	90
Max.	600	500	600

Optional Taping Head K11/70	L	W	H
Min.	200	105	120
Max.	600	500	600

Optional Taping Head K11/50	L	W	H
Min.	200	105	100
Max.	600	500	600

Any different dimension out of the standards above will be on request.

Capacity Production :
up to 1200 Bph
Always based on shorter box manageable.

Operating Pressure Range : from 5,5 bar - to 7 bar
Air Consumption : 2 NI/cycle

Note. in case of box sizes over or under these range SIAT is able to produce special machines under request

TAPING UNIT TYPE

K11/30

K12/30

K11/50

K12/50

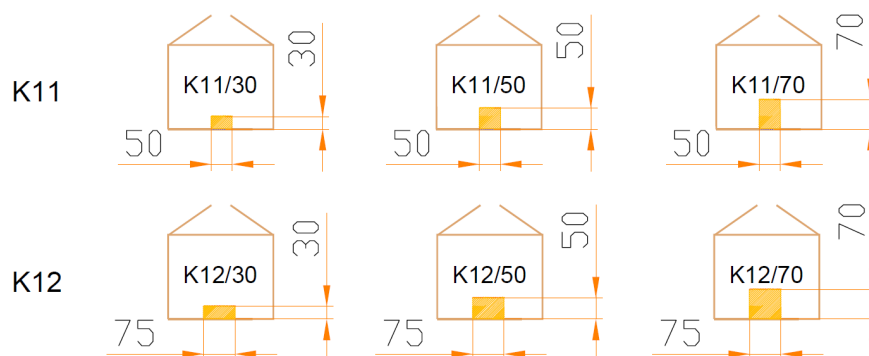
K11/70

K12/70

30 mm leg

50 mm leg

70 mm leg

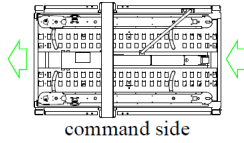


TAPING UNIT POSITION
MACHINE WORKING SIDE

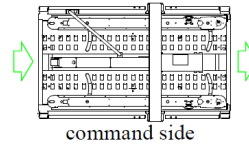
TOP + BOTTOM
LEFT SIDE

TOP ONLY + BOTTOM PLATE
RIGHT SIDE

LEFT MACHINE



RIGHT MACHINE



DOORS OPENING SIDE

ONE SIDE
BOTH SIDES

WORKBENCH HEIGHT

FROM 485 UP TO 825 mm
FROM 645 UP TO 980 mm

SPECIAL REQUEST FOR WORKBENCH HEIGHT

MACHINE ON WHEELS

YES NOTE. IF YES +110 MM NEED TO BE ADDED
NO TO THE WORKBENCH HEIGHT

SAFETY GUARDS

METALLIC GRIDS
METAL FRAME WITH TRANSPARENT INSERT

POWER SUPPLY 380/415V 50HZ 3PH + PE

OTHER REQUEST , PLEASE SPECIFY

PNEUMATIC BRAND

AVENTICS + FESTO (standard)
FULL FESTO

MACHINE COLORS

STANDARD COLORS: FRAME RAL 7016 - MOVING PARTS RAL 1021 - SAFETY GUARDS RAL 7040

INOX VERSION (STAINLESS STEEL)

SPECIAL COLOR REQUEST:

FRAME

MOVING PARTS

METALLIC SAFETY GUARDS

SPECIAL ENVIRONMENT CONDITIONS (inside the company building)

HIGH ALTITUDE (MORE THAN 1000 M A.S.L.) **please specify**

HOT TEMPERATURE (MORE THAN 40 °C) **please specify**

LOW TEMPERATURE (LESS THAN 5°C) **please specify**

HIGH HUMIDITY (MORE THAN 80%) **please specify**

ACCESSORIES

ENERGY SAVING DEVICE

(no need of PLC)

END TAPE DEVICE

(no need of PLC)

END/ BRAKE TAPE DEVICE

(PLC is needed)

PLC TYPE
(if needed)

SIEMENS S7-1200 (standard)

OMRON CP1

ALLEN BRADLEY MICROLOGIX

30 METERS/MINUTE BELT SPEED

(instead of 22 m/min)

DOCUMENTATION LANGUAGE

ITALIAN

ENGLISH

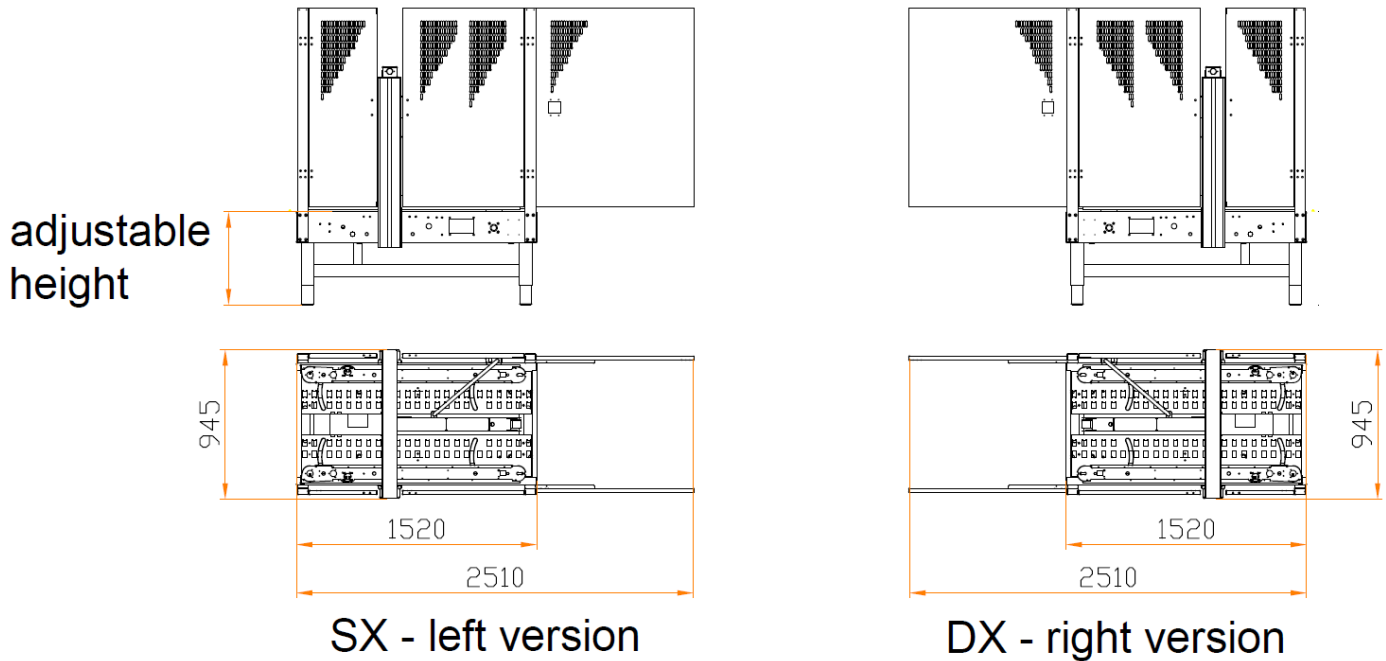
GERMAN

FRENCH

SPANISH

OTHER, PLEASE SPECIFY

MACHINE LAYOUT (Referral dimensions)



SIGNALS EXCHANGE (only in case of SM11 PLC version)

SIAT
CASE SEALER

-MACHINE IN CYCLE



CUSTOMER
OUTPUT LINE

COUNTERS ON HANDLES

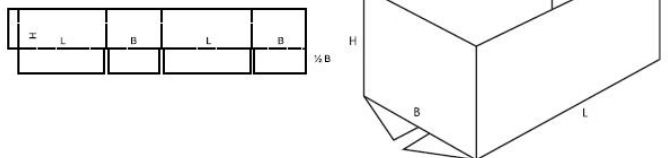
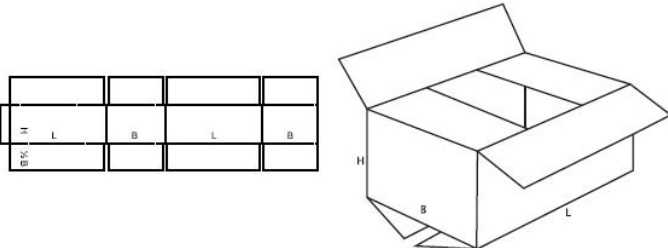

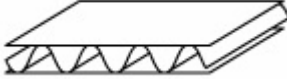
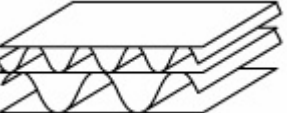

recommended when the customer has different box types - to make the set-up easier








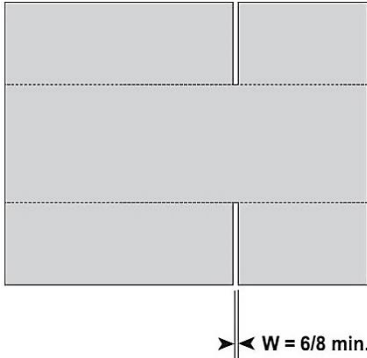
with the purchase of this accessory, if the customer sends the boxes, SIAT will create a table with the measures to manage them which will be sent with the machine

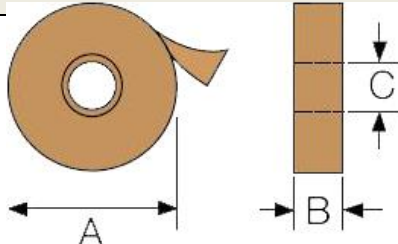
SPECIAL REQUESTS (if customer needs some other features)

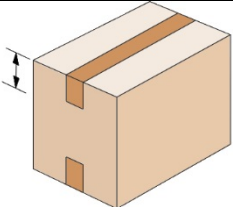
WILL SIAT INSTALL THE MACHINE?
 (under payment)

CARTON TYPE		
FEFCO BOX TYPE		
BOX MODEL	0200 M/A	
	0201 M/A	
CARDBOARD TYPE LAYERS STYLE	SINGLE FLUTE	
	TWO LAYERS + SINGLE FLUTE	
	THREE LAYERS + DOUBLE FLUTE	
	FOUR LAYERS + TRIPLE FLUTE	

CARDBOARD TYPE FLUTE STYLE	FLUTE "F"	
	FLUTE "E"	
	FLUTE "C"	
	FLUTE "B"	
	FLUTE "A"	

FEFCO BOX TYPE		
MINIMUM BOXES REQUIREMENTS	<ol style="list-style-type: none"> 1. GOOD TEXTURE OF CARTONS WITH SIDE FREE OF FOLDS 2. CREASE LINE WELL MARKED. PREFERABLY DOUBLE. 3. WHEN THE BOX IS CLOSED, FLAPS MUST NOT TOUCH THEMSELVES. MIN. 2 mm OF SPACE NEEDED. 4. MIN. WIDTH OF CUTS: 6 – 8 mm (see picture) 5. PLEASE ADVISE IN CASE OF USE OF SQUARE BOXES 6. PLEASE ADVISE IN CASE OF SPECIAL PROCESSING OF CARDBOARD (ex. die-cutting) 7. PLEASE ADVISE THE FEFCO BOX TYPE ACCORDING TO THE ABOVE CODIFICATION 	 <p style="text-align: right;">W = 6/8 min.</p>

TAPING UNIT PERFORMANCE			
TAPE REEL DIMENSIONS	A	MAX. 410 mm	
	B	75 mm / 50 mm	
	C	76 mm	

TAPE LEG			
TAPE LEG DIMENSIONS	K11R / K12R	70 mm	
	K11R / K12R	50 mm	
	K11/30 K12/30	30 mm	