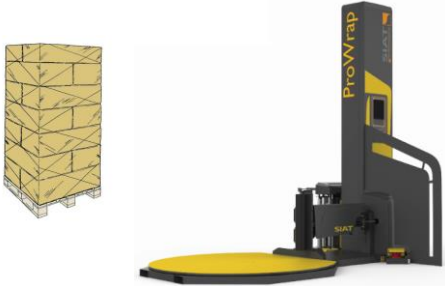
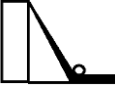

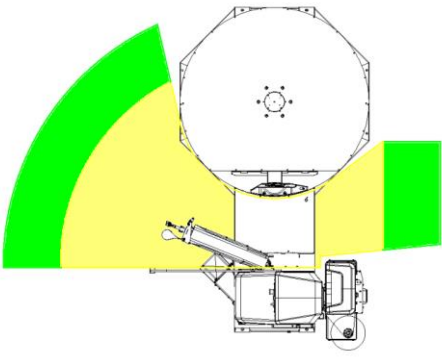
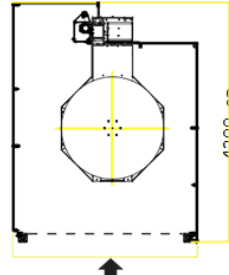
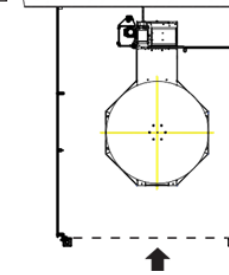
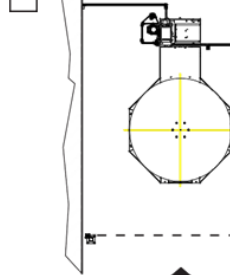
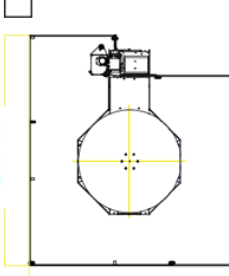
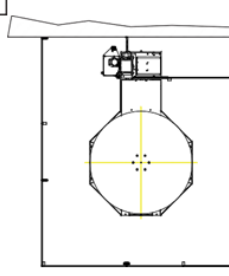
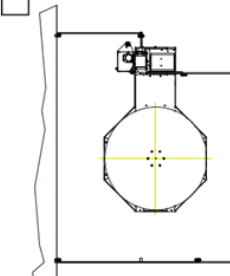
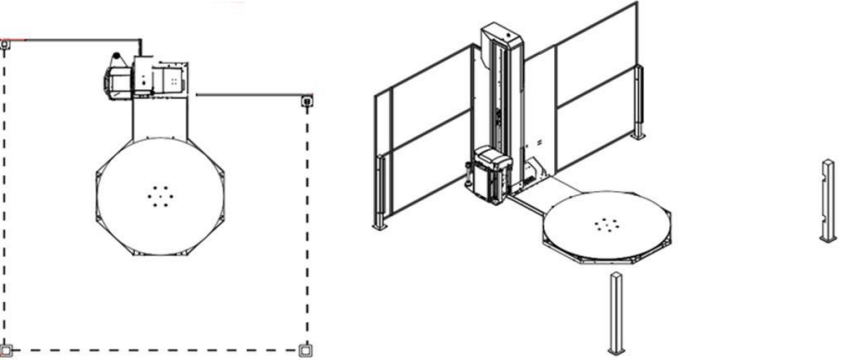
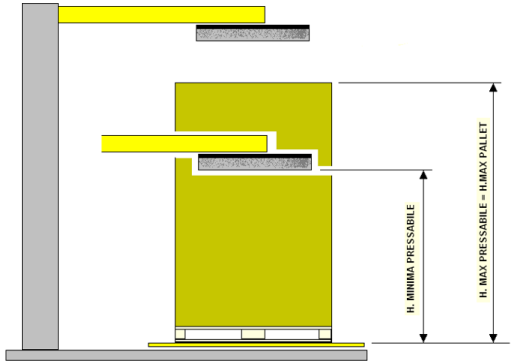
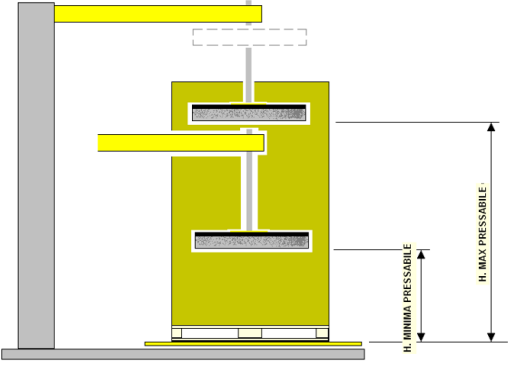


Machine Card		ProWrap CW		REV. 1
<b>Reference</b>			 <p>Take care the machine is designed to wrap boxes loads on pallet and/or in any case with regular shape, firmly piled and collinear to the edges of the same</p>	
N°:		Date:		
SIAT Vendor:				
<b>Customer Reference</b>				
Customer:				
Delivery Address:				
Contact:				
Tel:				
Email:				
<b>Machine configuration</b>				
1. Column height	Max pallet height (mm)	Wrapping end (mm)		Min pallet height (mm)
<input type="checkbox"/> L	2200	2400		700
<input type="checkbox"/> M	2600	2800		700
<input type="checkbox"/> H	3000	3200		700
2. Platform dimension	Max pallet dimension (mm)	Max pallet weight (kg)	Min pallet dimension (mm)	Min pallet weight (kg)
<input type="checkbox"/> 16	1000x1200 (Ø1650)	2400	600x600	100
<input type="checkbox"/> 18	1200x1200 (Ø1800)	2400	600x600	100
3. Platform options	Function		Note	
<input type="checkbox"/> CW	Cutting and wiping		With blowing system	
<input type="checkbox"/> CS	Cutting and welding		With blowing system	
4. Carriage type	Function		Max reel dimension (mm)	
<input type="checkbox"/> PW0	Motorized prestretch (200% std)		Ø 300 h500	
<input type="checkbox"/> DM0	Adjustable two motors prestretch		Ø 300 h500	
5. Carriage options	Function		Applicability	
<input type="checkbox"/> Customized prestretch	Select one of the following values: <input type="checkbox"/> 100 <input type="checkbox"/> 125 <input type="checkbox"/> 150 <input type="checkbox"/> 175 <input type="checkbox"/> 225 <input type="checkbox"/> 250 <input type="checkbox"/> 300		PW0	
<input type="checkbox"/> Roping top	Full roping from the top		PW0, DM0 <u>Mandatory to select layout with fences and photocell barrier</u>	
<input type="checkbox"/> Roping top & bottom	Full roping from the top and partial roping from the bottom		PW0, DM0 <u>Mandatory to select layout with fences and photocell barrier</u>	

6. Safety	Layout
<input type="checkbox"/> Safety laser scanner (standard)	
<input type="checkbox"/> Fences and photocell barrier (special execution, requires layout definition)	<div style="display: flex; flex-wrap: wrap; justify-content: space-around;"> <div style="text-align: center; margin: 10px;"> <input type="checkbox"/>  <p>3500 ca FRONT ENTRANCE</p> </div> <div style="text-align: center; margin: 10px;"> <input type="checkbox"/>  <p>3500 ca FRONT ENTRANCE-REAR WALL</p> </div> <div style="text-align: center; margin: 10px;"> <input type="checkbox"/>  <p>3500 ca FRONT ENTRANCE-SIDE WALL</p> </div> <div style="text-align: center; margin: 10px;"> <input type="checkbox"/>  <p>4200 ca 4000 ca SIDE ENTRANCE</p> </div> <div style="text-align: center; margin: 10px;"> <input type="checkbox"/>  <p>4000 ca SIDE ENTRANCE-REAR WALL</p> </div> <div style="text-align: center; margin: 10px;"> <input type="checkbox"/>  <p>4000 ca SIDE ENTRANCE-SIDE WALL</p> </div> <div style="text-align: center; margin: 10px;"> <input type="checkbox"/>  </div> </div>

7. Power supply							
<input type="checkbox"/> V01	220/240V 400V	50/60Hz 50/60Hz	1PH+N 3PH+N	<input type="checkbox"/> V04	110/115V UL/CSA	60Hz	1PH+N+PE
<input type="checkbox"/> V03	110/115V	60Hz	1PH+N+PE	<input type="checkbox"/> V06	220V	60Hz	1PH+N+PE
<input type="checkbox"/> V09	200V	50/60HZ	3PH+PE	<input type="checkbox"/> V11	220V	60Hz	3PH+PE
<input type="checkbox"/> V12	220/240V	50Hz	3PH+PE	<input type="checkbox"/> V18	400V/440V	50/60Hz	3PH
Option							
1. Pressing unit	Max pressable height (mm)	Min pressable height (mm)					
<input type="checkbox"/> Pressing unit	Column L=2200 Column M=2600 Column H=3000	Column L=1500 Column M=1600 Column H=1800					
<input type="checkbox"/> Pressing unit extension	Column L=1450 Column M=1850 Column H=2250	Column L=650 Column M=850 Column H=1050					
2. Remote control							
<input type="checkbox"/> Remote	Remote control with start and stop only						
3. Photocell for dark pallet							
<input type="checkbox"/> Black photocell	Photocell for dark pallet						
Accessories				Details			
<input type="checkbox"/> Ramp							
<input type="checkbox"/> Elongated ramp							
<input type="checkbox"/> Pit frame							
<input type="checkbox"/> Lifting frame							
<input type="checkbox"/> Weighting system				Max weight 2000kg			
<input type="checkbox"/> Floating weighting system				Max weight 2000kg			
<input type="checkbox"/> Additional prestretch kits for PW carriage				Select values: <input type="checkbox"/> 100 <input type="checkbox"/> 125 <input type="checkbox"/> 150 <input type="checkbox"/> 175 <input type="checkbox"/> 225 <input type="checkbox"/> 250 <input type="checkbox"/> 300			

**Special request**

Please, specify there your special requests about machine

**Description decoding**

