

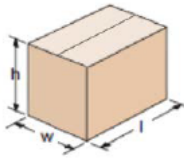


HM146 MACHINECARD

DATE

CUSTOMER

HM146



Capacity Production :
up to 400 Bph
Always based on shorter
box manageable.

Standard

	L	W	H
Min.	300	200	200
Max.	600	400	450

Any different dimension out of the standards above will be on request.

Operating Pressure Range	Air Consumption :
from 5,5 bar - to 7 bar	12 NI/cycle

Note. in case of box sizes over or under these range SIAT is able to produce special machines under request

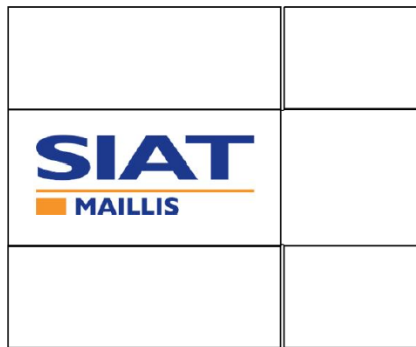
MACHINE CONFIGURATION

LEFT HAND

RIGHT HAND

BOX FOR LEFT HAND MACHINE

BOX FOR RIGHT HAND MACHINE



WAREHOUSE CAPACITY
(layout on page 4)

STANDARD (80-150 BOXES)

LONG (150 - 300 BOXES)

HOT MELT APPLICATOR
BRAND

ROBATECH

NORDSON

PREO

MELER

VALCO-MELTON

WORKBENCH HEIGHT FROM 620 UP TO 780 mm as standard

OTHER REQUEST FOR WORKBENCH HEIGHT

MACHINE ON WHEELS

YES

NO

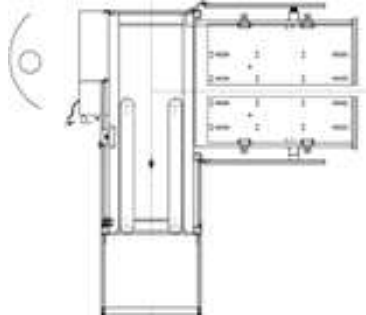
note. if yes please consider + 150 mm on worbench height

CONTROL PANEL POSITION

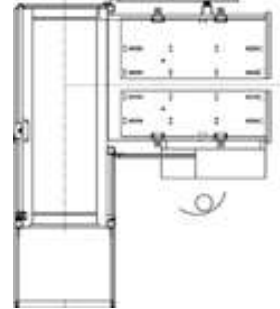
EXTERNAL SIDE

INTERNAL SIDE

EXTERNAL SIDE PANEL



INTERNAL SIDE PANEL



ELECTRIC SYSTEM

STANDARD MACHINE POWER SUPPLY: 380/415V 50Hz 3PH + PE

OTHER REQUEST, PLEASE SPECIFY

STANDARD HOT MELT POWER SUPPLY: 380/415V 50 Hz 3PH + PE + N

OTHER REQUEST, PLEASE SPECIFY

NEUTRAL WIRING TYPE

TT (STANDARD)

TN-S

TN-C

IT

PLC BRAND

SIEMENS S7 1200 (STANDARD)

OMRON CP1

VACUUM SYSTEM

VENTURI (STANDARD)

BECKER PUMP

PNEUMATICS BRAND

SMC (STANDARD)

FESTO

MACHINE COLORS

STANDARD: FRAME RAL 7016 - MOVING PARTS RAL 1021 - SAFETY GUARDS RAL 7040

SPECIAL COLOR REQUEST:

FRAME

MOVING PARTS

METALLIC SAFETY GUARDS

SPECIAL ENVIRONMENT CONDITIONS

HIGH ALTITUDE (MORE THAN 1000 M A.S.L.) please specify

HOT TEMPERATURE (MORE THAN 40 °C) please specify

LOW TEMPERATURE (LESS THAN 5°C) please specify

HIGH HUMIDITY (MORE THAN 80%) please specify

DOCUMENTATION LANGUAGE

ITALIAN

ENGLISH

GERMAN

FRENCH

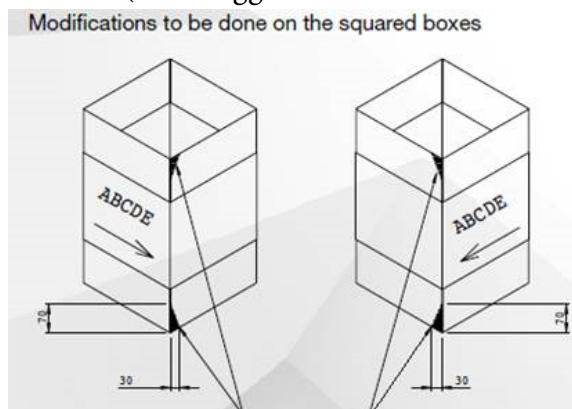
SPANISH

OTHER, PLEASE SPECIFY

please note. other languages documentation may need a surcharge on the price

ADDITIONAL FEATURES

SPECIAL KIT FOR SQUARED BOXES - length = width (PLEASE NOTE. SQUARED BOXES MUST HAVE CUTS AS PER IMAGE (cuts suggested 70x30 mm on the width flap on both angles)



SIGNALS EXCHANGE

SIAT
CASE ERECTOR

- MACHINE WORKING
- EMERGENCY
- ALARM
- TAPE BROKEN
- TAPE ENDED
- TAPED BOX READY
- END OF BOX TRANSFER



CUSTOMER
OUTPUT LINE

CUSTOMER
OUTPUT LINE

- FULL OUTPUT LINE
- EXCLUSION DETECTION
END/BRAKE TAPE
- OUTPUT LINE EMERGENCY



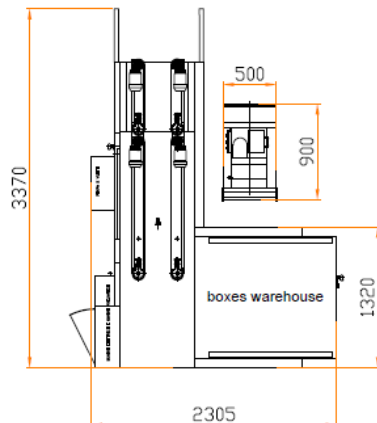
SIAT
CASE ERECTOR

OTHER SIGNAL EXCHANGE NEEDED, PLEASE SPECIFY

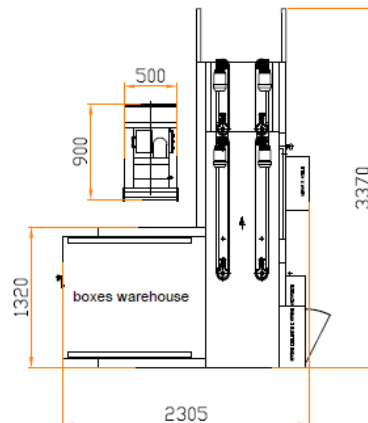
FROM SIAT TO CUSTOMER

FROM CUSTOMER TO SIAT

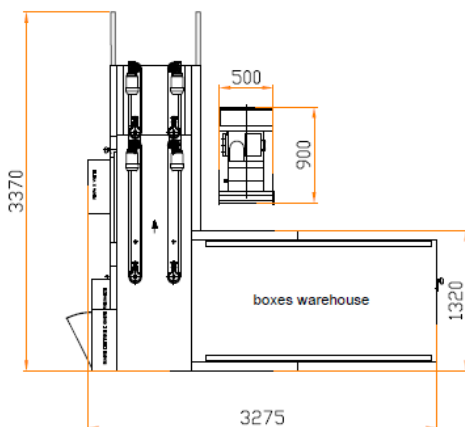
MACHINE LAYOUT (refferal dimensions)



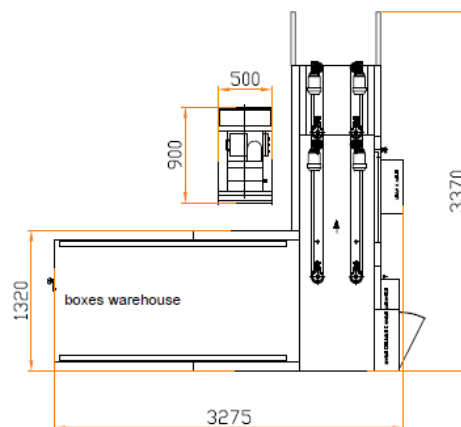
HM146 RIGHT SIDE



HM146 LEFT SIDE



HM146 RIGHT SIDE LONG



HM146 LEFT SIDE LONG

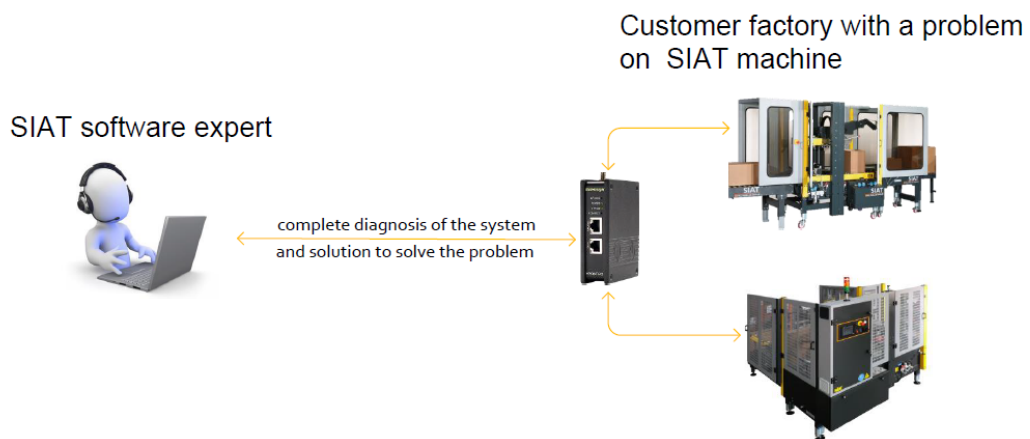
SIAT CONNECT module (ready with SIAT sim card)

REMOTE CONTROL FOR A COMPLETE MACHINE DIAGNOSIS AND MACHINE PROGRAM MODIFICATION

PLC COMPATIBILITY: **Siemens S7-1200,S7-300 series – Omron CP1L , CJ1M PLCs.**

CONNECTIONS AVAILABLE: **LAN, 3G, 4G, Wi-Fi.**

COMPATIBLE SIAT MACHINES: **SM44HS, SM44HD, F144, F344, FLEXOs**



PROs

- Faster reaction and problem solving
- Way lower intervention costs
- Possibility to be installed on old and new machines

DATA

- Code for SIAT-connect SBB0005357

BOXES INFORMATION

Note. in the next page there are some basic rules about the boxes that can be processed by a SIAT machine.

	FEFCO TYPE	LENGTH (mm)	WIDTH (mm)	HEIGHT (mm)	WEIGHT (kg)	OUTPUT (BPM)
BOX 1						
BOX 2						
BOX 3						
BOX 4						
BOX 5						
BOX 6						
BOX 7						
BOX 8						
BOX 9						
BOX 10						

WILL THE CUSTOMER SUPPLY BOXES TO BE TESTED? YES NO

IF YES PLEASE SEND SAMPLES TO:

SIAT S.P.A. via Puecher, 22 TURATE (CO) ITALY TO THE ATTENTION OF FLAVIO PUGLIESE, AT LEAST TWO WEEKS BEFORE THE ESTIMATED DELIVERY DATE

IF YES, HOW MANY TYPES OF BOX DOES THE CUSTOMER WANT TO TEST?

3 TYPES - MAX 60 PIECES, TESTED FREE OF CHARGE



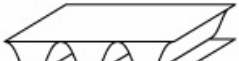
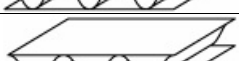
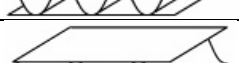
FROM 4 TO 10 TYPES - MAX 100 TOTAL PIECES, UNDER PAYMENT

> 60 PIECES , UNDER PAYMENT

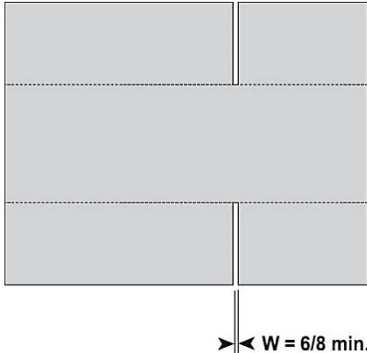
WILL THE CUSTOMER DO THE F.A.T. FOR THIS MACHINE?
(under payment - with a max of 10 different boxes test) YES NO

WILL SIAT INSTALL THE MACHINE?
(under payment) YES NO

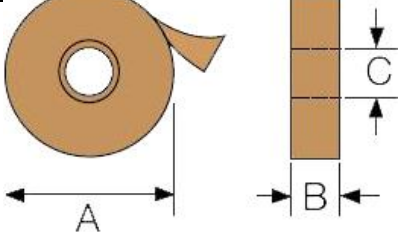
<i>CARTON TYPE</i>		
FEFCO BOX TYPE		
BOX MODEL	0200 M/A	
	0201 M/A	
CARDBOARD TYPE LAYERS STYLE	SINGLE FLUTE	
	TWO LAYERS + SINGLE FLUTE	
	THREE LAYERS + DOUBLE FLUTE	
	FOUR LAYERS + TRIPLE FLUTE	

CARDBOARD TYPE FLUTE STYLE	FLUTE "F"	
	FLUTE "E"	
	FLUTE "C"	
	FLUTE "B"	
	FLUTE "A"	

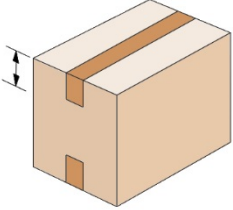
FEFCO BOX TYPE

MINIMUM BOXES REQUIREMENTS	<ol style="list-style-type: none"> 1. GOOD TEXTURE OF CARTONS WITH SIDE FREE OF FOLDS 2. CREASE LINE WELL MARKED. PREFERABLY DOUBLE. 3. WHEN THE BOX IS CLOSED, FLAPS MUST NOT TOUCH THEMSELVES. MIN. 2 mm OF SPACE NEEDED. 4. MIN. WIDTH OF CUTS: 6 – 8 mm (see picture) 5. PLEASE ADVISE IN CASE OF USE OF SQUARE BOXES 6. PLEASE ADVISE IN CASE OF SPECIAL PROCESSING OF CARDBOARD (ex. die-cutting) 7. PLEASE ADVISE THE FEFCO BOX TYPE ACCORDING TO THE ABOVE CODIFICATION 	 <p style="text-align: right; margin-right: 20px;">W = 6/8 min.</p>
-----------------------------------	--	---

TAPING UNIT PERFORMANCE

TAPE REEL DIMENSIONS	A	MAX. 410 mm	
	B	75 mm / 50 mm	
	C	76 mm	

TAPE LEG

TAPE LEG DIMENSIONS	K11R / K12R	70 mm	
	K11R / K12R	50 mm	
	K11/30 K12/30	30 mm	