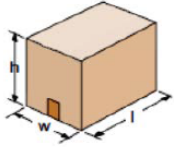




DATE
CUSTOMER

F146



Capacity Production :
up to 500 Bph
Always based on shorter
box manageable.

Standard

Taping Head K11/70	L	W	H
Min.	300	200	220
Max.	620	400	450

Taping Head K11/50	L	W	H
Min.	300	200	220
Max.	620	400	450

Any different dimension out of the standards above will be on request.

Operating Pressure Range	Air Consumption :
from 5,5 bar - to 7 bar	54 NI/cycle

*Configurable
On Demand*

Taping Head K12/70	L	W	H
Min.	300	200	220
Max.	620	400	450

Taping Head K12/50	L	W	H
Min.	300	200	220
Max.	620	400	450

Note. in case of box sizes over or under these range SIAT is able to produce special machines under request

BOTTOM TAPING UNIT TYPE

K11/30

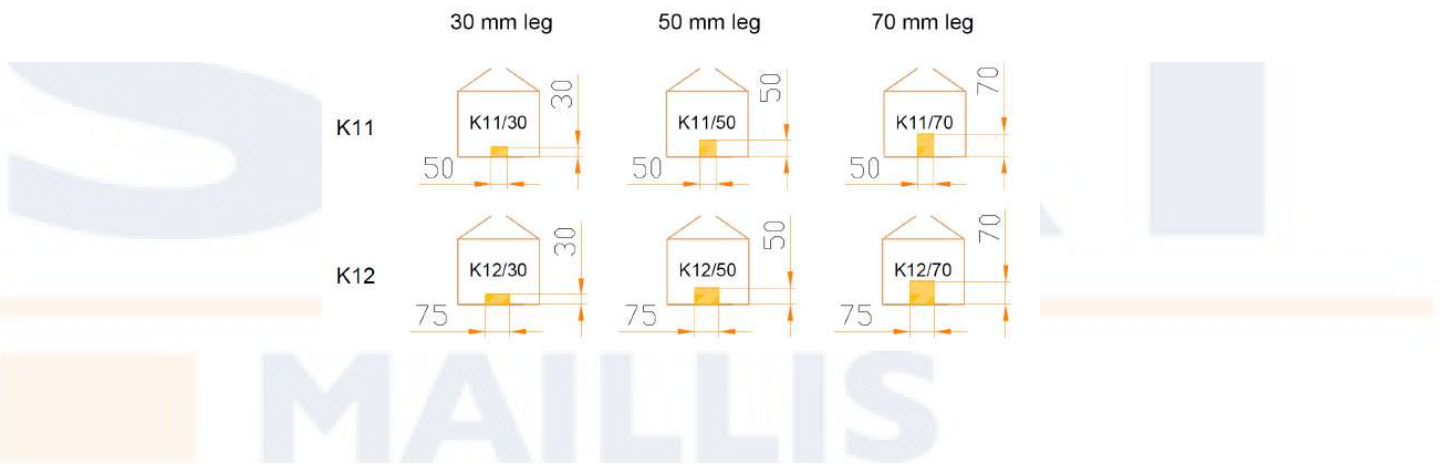
K12/30

K11/50

K12/50

K11/70

K12/70



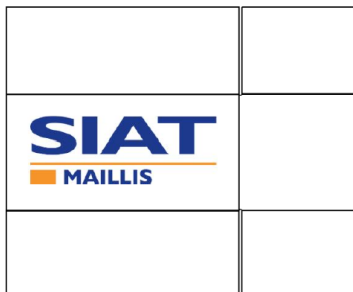
MACHINE CONFIGURATION

LEFT HAND

RIGHT HAND

LEFT HAND MACHINE

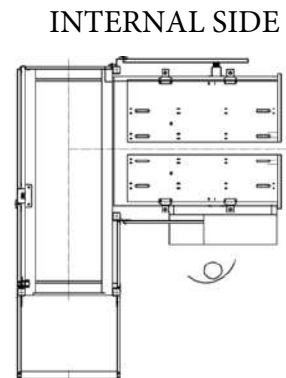
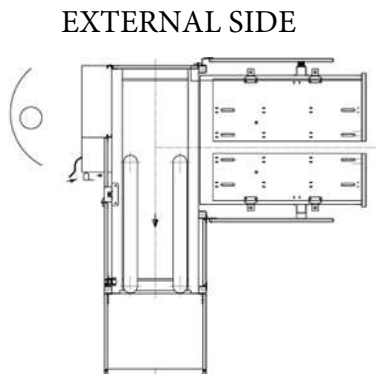
RIGHT HAND MACHINE



CONTROL PANEL POSITION

EXTERNAL SIDE

INTERNAL SIDE



WORKBENCH HEIGHT FROM 620 UP TO 780 MM

OTHER REQUEST FOR WORKBENCH HEIGHT

WAREHOUSE CAPACITY (layout at page 4)

FROM 80 UP TO 150 BOXES (standard)

FROM 160 UP TO 300 BOXES (long version)

MACHINE ON WHEELS YES

NO note. if yes please consider + 150 mm on workbench height

MACHINE COLORS

STANDARD: FRAME RAL 7016 - MOVING PARTS RAL 1021 - SAFETY GUARDS RAL 7040

SPECIAL COLOR REQUEST:

FRAME

MOVING PARTS

METALLIC SAFETY GUARDS

SPECIAL ENVIRONMENT CONDITIONS (inside the company building)

HIGH ALTITUDE (MORE THAN 1000 M A.S.L.) please specify

HOT TEMPERATURE (MORE THAN 40 °C) please specify

LOW TEMPERATURE (LESS THAN 5°C) please specify

HIGH HUMIDITY (MORE THAN 80%) please specify

ELECTRIC SYSTEM

STANDARD MACHINE POWER SUPPLY: 380/415V 50Hz 3PH + N + PE

OTHER REQUEST, PLEASE SPECIFY

NEUTRAL WIRING TYPE TT (STANDARD)

TN-S

TN-C

IT

PLC BRAND SIEMENS S7-1200 (STANDARD)

OMRON CP1

VACUUM SYSTEM VENTURI (STANDARD)

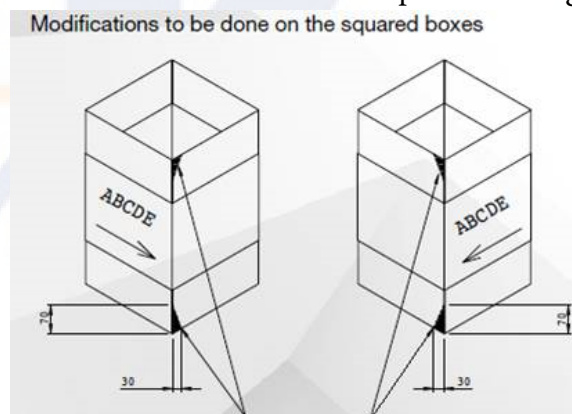
BECKER PUMP

PNEUMATICS BRAND SMC (STANDARD)

FESTO

ADDITIONAL FEATURES (END /BRAKE TAPE DEVICE IS STANDARD)

SPECIAL KIT FOR SQUARED BOXES (PLEASE NOTE. SQUARED BOXES MUST HAVE CUTS AS PER IMAGE (cuts suggested 70x30 mm on the width flap on both angles)



DOCUMENTATION LANGUAGE

ITALIAN

ENGLISH

GERMAN

FRENCH

OTHER, PLEASE SPECIFY

NOTE. THE SIAT MACHINES ARE SUPPLIED WITH CE CERTIFICATION DOCUMENTS

SIGNALS EXCHANGE

SIAT
CASE ERECTOR

- MACHINE WORKING
- EMERGENCY
- ALARM
- TAPE BROKEN
- TAPE ENDED
- TAPED BOX READY
- END OF BOX TRANSFER



CUSTOMER
OUTPUT LINE

CUSTOMER
OUTPUT LINE

- FULL OUTPUT LINE
- EXCLUSION DETECTION
END/BRAKE TAPE
- OUTPUT LINE EMERGENCY



SIAT
CASE ERECTOR

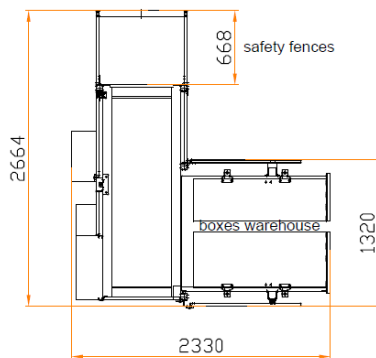
OTHER SIGNAL EXCHANGE NEEDED, PLEASE SPECIFY

FROM SIAT TO CUSTOMER

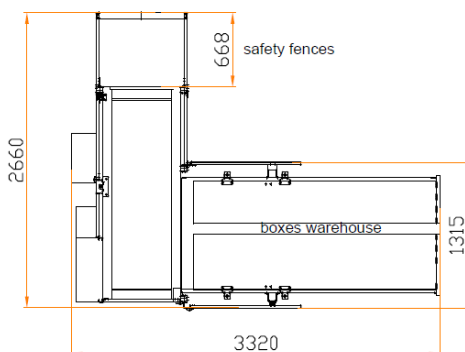
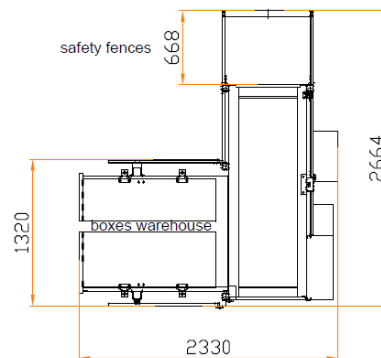
FROM CUSTOMER TO SIAT

MACHINE LAYOUT (referral dimensions)

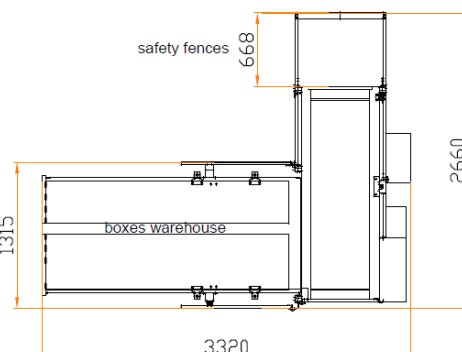
F146 RIGHT SIDE



F146 LEFT SIDE



F146 RIGHT SIDE
LONG WAREHOUSE



F146 LEFT SIDE
LONG WAREHOUSE

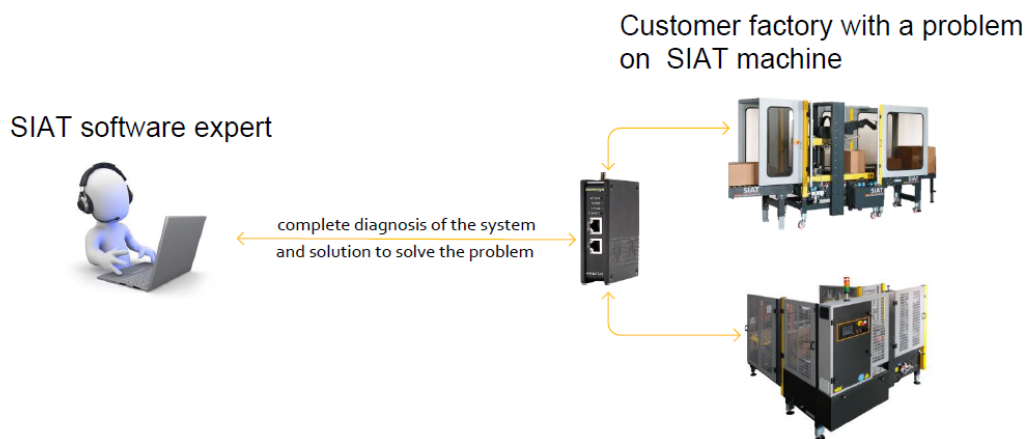
SIAT CONNECT module (ready with SIAT sim card)

REMOTE CONTROL FOR A COMPLETE MACHINE DIAGNOSIS AND MACHINE PROGRAM MODIFICATION

PLC COMPATIBILITY: **Siemens S7-1200,S7-300 series – Omron CP1L , CJ1M PLCs.**

CONNECTIONS AVAILABLE: **LAN, 3G, 4G, Wi-Fi.**

COMPATIBLE SIAT MACHINES: **SM44HS, SM44HD, F144, F344, FLEXOs**



PROs

- Faster reaction and problem solving
- Way lower intervention costs
- Possibility to be installed on old and new machines

DATA

- Code for SIAT-connect SBB0005357

BOXES INFORMATION

Note. in the next page there are some basic rules about the boxes that can be processed by a SIAT machine.

	FEFCO TYPE	LENGTH (mm)	WIDTH (mm)	HEIGHT (mm)	WEIGHT (kg)	OUTPUT (BPM)
BOX 1						
BOX 2						
BOX 3						
BOX 4						
BOX 5						
BOX 6						
BOX 7						
BOX 8						
BOX 9						
BOX 10						

WILL THE CUSTOMER SUPPLY BOXES TO BE TESTED?

YES

NO

IF YES PLEASE SEND SAMPLES TO:

SIAT S.P.A. via Puecher, 22 TURATE (CO) ITALY TO THE ATTENTION OF FLAVIO PUGLIESE, AT LEAST TWO WEEKS BEFORE THE ESTIMATED DELIVERY DATE

IF YES, HOW MANY TYPES OF BOX DOES THE CUSTOMER WANT TO TEST?

3 TYPES - MAX 60 PIECES, TESTED FREE OF CHARGE

FROM 4 TO 10 TYPES - MAX 100 TOTAL PIECES, UNDER PAYMENT

> 60 PIECES , UNDER PAYMENT

WILL THE CUSTOMER DO THE F.A.T. FOR THIS MACHINE?
(under payment - with a max of 10 different boxes test)

YES






NO

WILL SIAT INSTALL THE MACHINE?
(under payment)

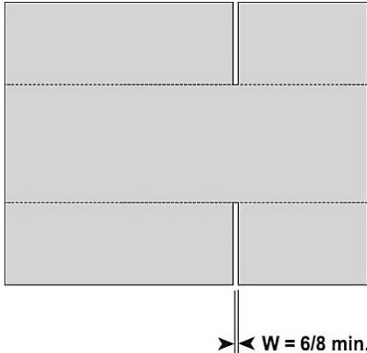
YES

NO

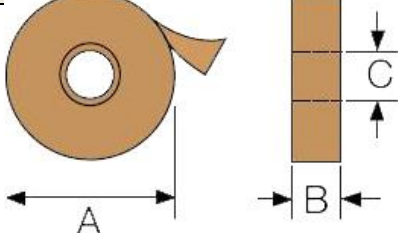
<i>CARTON TYPE</i>		
FEFCO BOX TYPE		
BOX MODEL	0200 M/A	
	0201 M/A	
CARDBOARD TYPE LAYERS STYLE	SINGLE FLUTE	
	TWO LAYERS + SINGLE FLUTE	
	THREE LAYERS + DOUBLE FLUTE	
	FOUR LAYERS + TRIPLE FLUTE	

CARDBOARD TYPE FLUTE STYLE	FLUTE "F"	
	FLUTE "E"	
	FLUTE "C"	
	FLUTE "B"	
	FLUTE "A"	

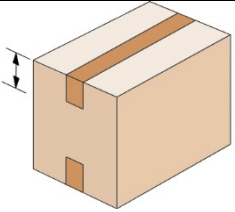
FEFCO BOX TYPE

MINIMUM BOXES REQUIREMENTS	<ol style="list-style-type: none"> 1. GOOD TEXTURE OF CARTONS WITH SIDE FREE OF FOLDS 2. CREASE LINE WELL MARKED. PREFERABLY DOUBLE. 3. WHEN THE BOX IS CLOSED, FLAPS MUST NOT TOUCH THEMSELVES. MIN. 2 mm OF SPACE NEEDED. 4. MIN. WIDTH OF CUTS: 6 – 8 mm (see picture) 5. PLEASE ADVISE IN CASE OF USE OF SQUARE BOXES 6. PLEASE ADVISE IN CASE OF SPECIAL PROCESSING OF CARDBOARD (ex. die-cutting) 7. PLEASE ADVISE THE FEFCO BOX TYPE ACCORDING TO THE ABOVE CODIFICATION 	 <p style="text-align: right; margin-right: 20px;">W = 6/8 min.</p>
-----------------------------------	--	---

TAPING UNIT PERFORMANCE

TAPE REEL DIMENSIONS	A	MAX. 410 mm	
	B	75 mm / 50 mm	
	C	76 mm	

TAPE LEG

TAPE LEG DIMENSIONS	K11R / K12R	70 mm	
	K11R / K12R	50 mm	
	K11/30 K12/30	30 mm	