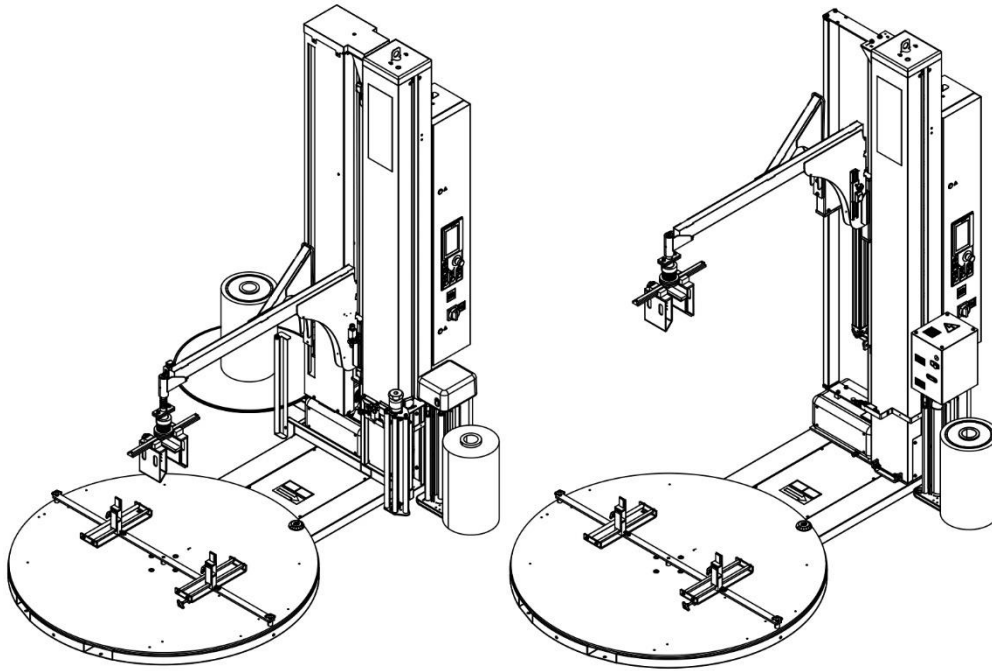




FREESBY WINDOW



USE AND MAINTENANCE MANUAL

N. matricola • Serial number • Serienummer N. d'identification • Matricula n.	_____
--	-------

Cod.: 3709303633

Ed.: 09/2018

NOXON S.p.a
Strada Molino Magi, 66
47892 Gualdicciolo, Repubblica di S.Marino (RSM)
Phone (+378) 0549 941426
Fax (+378) 0549 977419

Translation of original instructions



Page left blank intentionally

Index

1. GENERAL INFORMATION	6
1.1. PURPOSE OF THE MANUAL	6
1.2. MANUFACTURER AND MACHINE IDENTIFICATION	7
1.3. TERMS AND DEFINITIONS	8
1.3.1. PICTOGRAMS INDICATING DANGER	9
1.3.2. PICTOGRAMS INDICATING PROHIBITION	10
1.3.3. PICTOGRAMS INDICATING OBLIGATION	11
1.4. HOW TO REQUEST ASSISTANCE	12
1.5. ATTACHED DOCUMENTATION	12
1.6. HOW TO READ THE INSTRUCTIONS FOR USE	12
2. SAFETY INFORMATION.....	13
2.1. GENERAL SAFETY WARNINGS	13
2.2. SAFETY WARNINGS FOR HANDLING AND INSTALLATION	14
2.3. SAFETY WARNINGS FOR USE AND OPERATION	15
2.4. SAFETY WARNINGS RELATED TO MISUSE	16
2.4.1. REASONABLY FORESEEABLE MISUSE	16
2.4.2. EMPLOYER OBLIGATIONS	16
2.5. SAFETY WARNINGS ON RESIDUAL RISKS	17
2.6. SAFETY WARNINGS FOR ADJUSTMENTS AND MAINTENANCE	19
2.7. SAFETY WARNING FOR THE ELECTRICAL EQUIPMENT	19
2.8. INFORMATION AND SAFETY SIGNS	20
2.9. PERIMETER AREAS	21
3. TECHNICAL INFORMATION	22
3.1. MACHINE GENERAL DESCRIPTION.....	22
3.1.1. MACHINE MODELS DESCRIPTION	23
3.2. DESCRIPTION OF FREESBY WINDOW 210 OPERATION CYCLE	24
3.3. DESCRIPTION OF FREESBY WINDOW 212 OPERATION CYCLE	25
3.4. SAFETY DEVICE DESCRIPTION	26
3.5. DESCRIPTION OF ELECTRICAL DEVICES	28
3.6. DESCRIPTION OF ACCESSORIES ON REQUEST.....	29
3.7. "FREESBY WINDOW 210" TECHNICAL DATA (WITH BUBBLE WRAP MECHANICAL PRESSER).....	31
3.7.1. MACHINE DIMENSIONS.....	31
3.7.2. MACHINE OVERALL DIMENSIONS.....	31
3.7.3. MACHINE TECHNICAL FEATURES.....	32
3.7.4. PRESSER TECHNICAL FEATURES	32
3.8. "FREESBY WINDOW 210" TECHNICAL DATA (WITH MECHANICAL PRESSER)	33
3.8.1. MACHINE DIMENSIONS.....	33
3.8.2. MACHINE OVERALL DIMENSIONS.....	33
3.8.3. MACHINE TECHNICAL FEATURES.....	34
3.8.4. PRESSER TECHNICAL FEATURES	34
3.9. "FREESBY WINDOW 210" TECHNICAL DATA (WITH PNEUMATIC PRESSER).....	35
3.9.1. MACHINE DIMENSIONS.....	35
3.9.2. MACHINE OVERALL DIMENSIONS.....	35
3.9.3. MACHINE TECHNICAL FEATURES.....	36
3.9.4. PRESSER TECHNICAL FEATURES	36
3.10. "FREESBY WINDOW 210" TECHNICAL DATA (WITH BUBBLE WRAP PNEUMATIC PRESSER)	37
3.10.1. MACHINE DIMENSIONS	37
3.10.2. MACHINE OVERALL DIMENSIONS	37
3.10.3. MACHINE TECHNICAL FEATURES	38
3.10.4. PRESSER TECHNICAL FEATURES.....	38
3.11. "FREESBY WINDOW 212" TECHNICAL DATA (WITH BUBBLE WRAP MECHANICAL PRESSER).....	39
3.11.1. MACHINE DIMENSIONS	39
3.11.2. MACHINE OVERALL DIMENSIONS	39
3.11.3. MACHINE TECHNICAL FEATURES	40
3.11.4. PRESSER TECHNICAL FEATURES.....	40
3.12. "FREESBY WINDOW 212" TECHNICAL DATA (WITH MECHANICAL PRESSER).....	41

3.12.1.	MACHINE DIMENSIONS	41
3.12.2.	MACHINE OVERALL DIMENSIONS	41
3.12.3.	MACHINE TECHNICAL FEATURES	42
3.12.4.	PRESSER TECHNICAL FEATURES.....	42
3.13.	"FREESBY WINDOW 212" TECHNICAL DATA (WITH PNEUMATIC PRESSER)	43
3.13.1.	MACHINE DIMENSIONS	43
3.13.2.	MACHINE OVERALL DIMENSIONS	43
3.13.3.	MACHINE TECHNICAL FEATURES	44
3.13.4.	PRESSER TECHNICAL FEATURES.....	44
3.14.	"FREESBY WINDOW 212" TECHNICAL DATA (WITH BUBBLE WRAP PNEUMATIC PRESSER)	45
3.14.1.	MACHINE DIMENSIONS	45
3.14.2.	MACHINE OVERALL DIMENSIONS	45
3.14.3.	MACHINE TECHNICAL FEATURES	46
3.14.4.	PRESSER TECHNICAL FEATURES.....	46
3.15.	SPOOL FEATURES	47
3.16.	NOISE LEVEL.....	48
3.17.	INSTALLATION ENVIRONMENT CHARACTERISTICS	48
4.	INFORMATION ON HANDLING AND INSTALLATION	49
4.1.	RECOMMENDATIONS FOR HANDLING AND LOADING.....	49
4.2.	PACKING AND UNPACKING	49
4.3.	TRANSPORT AND HANDLING	51
4.4.	HANDLING AND LIFTING	52
4.5.	INSTALLATION OF THE MACHINE.....	53
4.5.1.	ELECTRIC BOX ASSEMBLY	54
4.5.2.	SLIDE SHAFT ASSEMBLY	55
4.5.3.	PNEUMATIC PRESSER ASSEMBLY	56
4.5.4.	"BUBBLE WRAP" KIT ASSEMBLY (OPTIONAL).....	57
4.5.5.	MECHANICAL PRESSER ASSEMBLY (OPTIONAL).....	58
4.6.	MACHINE FIXING.....	59
4.7.	RECOMMENDATIONS FOR CONNECTIONS	60
4.8.	PNEUMATIC CONNECTION.....	60
4.9.	ELECTRICAL CONNECTION.....	61
5.	INFORMATION ON ADJUSTMENTS	62
5.1.	RECOMMENDATIONS FOR ADJUSTMENTS	62
5.1.1.	SPOOL CARRIAGES OF "212" TYPE (PRE-STRETCH GEAR REPLACEMENT).....	63
5.2.	SPOOL CARRIAGE LIFTING CHAIN ADJUSTMENT.....	65
5.3.	ROTARY TABLE CHAIN ADJUSTMENT	65
5.4.	"BUBBLE WRAP" SPOOL BRAKING ADJUSTMENT	66
5.5.	GRIPPERS ADJUSTMENT	66
5.5.1.	ROTARY TABLE GRIPPERS.....	66
5.5.2.	PRESSER GRIPPERS	67
5.6.	ADJUSTMENT OF CAM FOR FILM WRAPPING HEIGHT.....	68
6.	INFORMATION ABOUT THE USE	69
6.1.	RECOMMENDATIONS FOR OPERATION AND USE.....	69
6.2.	DESCRIPTION OF THE CONTROLS	70
6.3.	DESCRIPTION OF USER INTERFACE	71
6.3.1.	NUMERICAL AND ALPHANUMERICAL KEYBOARD.....	73
6.3.2.	PROGRAMMING WINDOW	74
6.4.	"HOME" PAGE	75
6.5.	"MANUAL HANDLING" PAGE	77
6.5.1.	MANUAL REINFORCEMENT FUNCTION.....	78
6.6.	"RECIPES" PAGE	79
6.7.	"WRAPPING CYCLE" PAGE	80
6.8.	"GENERAL PARAMETERS" PAGE.....	81
6.9.	"PRODUCTION COUNTERS (PALLETES)" PAGE	82
6.10.	"HMI SETTINGS" PAGE	83
6.11.	"PASSWORD CHANGE" SCREEN	84

6.12.	"ENTER PASSWORD" SCREEN (USER LOGIN)	85
6.13.	"SERVICE" SCREEN	86
6.14.	NEW RECIPE PROGRAMMING	87
6.15.	MACHINE SWITCHING ON AND OFF	88
6.16.	CYCLE PARAMETERS SETTING	88
6.17.	DESCRIPTION OF THE WRAPPING CYCLES	89
6.17.1.	SINGLE WRAPPING CYCLE	89
6.17.2.	DOUBLE WRAPPING CYCLE	89
6.17.3.	WRAPPING CYCLE WITH FEEDER	90
6.18.	PRESETTING FOR PALLETISED LOAD WRAPPING	91
6.18.1.	FREESBY WINDOW 210/212	91
6.18.2.	FREESBY WINDOW 210/212	91
6.19.	CYCLE START AND STOP	92
6.20.	PRESSER HEIGHT CHANGE	92
6.21.	PNEUMATIC CYLINDER WITH ROD	93
6.21.1.	WINDOWS AND DOORS DIMENSIONS	94
6.21.2.	PALLETISED LOAD DIMENSIONS	95
6.22.	MECHANICAL PRESSER	96
6.22.1.	WINDOWS AND DOORS DIMENSIONS	96
6.22.2.	PALLETISED LOAD DIMENSIONS	97
6.23.	SPOOL LOADING	98
6.24.	"BUBBLE WRAP" SPOOL LOADING	99
7.	MAINTENANCE INFORMATION	100
7.1.	RECOMMENDATIONS FOR MAINTENANCE	100
7.2.	PERIODICAL MAINTENANCE INTERVALS	101
7.3.	LUBRICATION POINT DIAGRAM	102
7.4.	LUBRICANT TABLE	103
7.5.	CONDENSATE DRAINAGE	104
7.6.	AIR FILTER CLEANING	104
7.7.	MACHINE CLEANING	105
8.	FAULT INFORMATION	106
8.1.	ALARM MESSAGES	106
9.	REPLACEMENT INFORMATION	107
9.1.	RECOMMENDATIONS FOR REPLACING MACHINE PARTS	107
9.2.	REPLACING THE ROTARY TABLE WHEELS	108
9.3.	RECOMMENDED SPARE PARTS LIST	109
9.4.	MACHINE DECOMMISSIONING AND SCRAPPING	110
9.4.1.	MACHINE DECOMMISSIONING	110
9.4.2.	MACHINE SCRAPPING	110
10.	ANNEXES	111
10.1.	WARRANTY CONDITIONS	111
10.2.	PNEUMATIC DIAGRAM (PNEUMATIC CYLINDER WITH ROD)	112

1. GENERAL INFORMATION

1.1. PURPOSE OF THE MANUAL

- The manual is an integral part of the machine and is aimed at providing the operator with the “Instructions for use” in order to prevent and minimise the risks that arise from human-machine interaction.
The information has been written by the Manufacturer in Italian (the original language) in full compliance with the professional writing principles and the regulations in force.
The communication principles were chosen according to the target readers in order to ease the reading and understanding of the information.
The information may be translated into other languages to satisfy the legal and/or market requirements.
The manuals must be translated directly from the original instructions, without modifications.
Each translation (including that provided by the purchasing agent or by the company that introduces the machine into the country in question) must specify the message “Translation of the original instructions”.
- Refer to the table of contents in order to easily identify the subjects of interest.
- Some information may not correspond completely to the actual configuration of the machine delivered.
- Any additional information does not affect the readability of the text and the safety level.
- The Manufacturer reserves the right to modify the contents of the manual without prior notice provided that the safety level is not altered.
- Every notification by the recipients can be an important contribution to the improvement of after-sales services that the manufacturer intends to offer to its customers.
- The symbols described below are used to highlight important information or specifications.



Danger - warning

The symbol indicates critically dangerous situations that if neglected can result in serious personal safety and health hazards.



Caution - warning

The symbol indicates that suitable actions must be taken in order to avoid personal safety and health hazards and economic damages.



Important

The symbol indicates particularly important technical and operating information that should not be neglected.

1.2. MANUFACTURER AND MACHINE IDENTIFICATION

The illustrated identification plate is applied directly to the machine. It contains references and indispensable operating safety indications.

- 1) Machine model.
- 2) Machine serial number.
- 3) Year of manufacture.
- 4) Power supply voltage.
- 5) Power supply frequency.
- 6) Power supply phases.
- 7) Absorbed electric current.
- 8) Installed power.
- 9) Air consumption.
- 10) Air supply max. pressure.
- 11) Machine weight.
- 12) Manufacturer's identification.
- 13) Name.



NOXON

NOXON S.p.A.
Strada Molino Magi, 66
47892 - Galdicciolo
Repubblica San Marino
www.noxon.it

CE

DENOMINAZIONE DENOMINATION	13		
MODELLO MODEL		1	
MATRICOLA SERIAL NUMBER	2		
DATA DATE OF MAN.		3	
ALIMENTAZIONE SUPPLY VOL.	4		V
FREQUENZA FREQUENCY		5	Hz
N. FASI PHASE	6		
ASSORBIMENTO ABSORPTION		7	A
POTENZA TOTALE TOTAL POWER	8		kW
CONSUMO ARIA AIR CONSUMPTION		9	l/min
PRESSIONE MAX. MAX. PRESSURE	10		bar
PESO WEIGHT		11	kg

1.3. TERMS AND DEFINITIONS

Some recurring terms found within the manual are described in order to complete their meaning.



Maintenance:

The set of operations required to maintain the machine efficient and in good working order. Normally some operations are scheduled by the manufacturer, who defines the necessary skills and methods of intervention.

Some unscheduled operations must be performed after consulting the manufacturer.



Operator:

A person chosen and authorised among those who have the requirements, skills and information necessary for installation, use and ordinary maintenance of the machine.



Maintenance technician:

Technician chosen and authorised among those who have the requirements to perform routine and extraordinary maintenance on the machine. Therefore, the technician must have accurate information and competences with particular skills in the field of intervention.



Format changeover:

Set of operations to carry out on the machine before starting to work with characteristics other than the previous ones.



Training:

Training process aimed at transferring to the new operator the knowledge, skills and behaviours required to operate the machine autonomously, properly and safely.



Installer:

Technician chosen and authorised by the manufacturer or by its representative, among those with the requirements to install and test the machine or the relevant system.



Assistant:

Employee assigned to assist the production processes of the machine or system in question.



Production manager:

Qualified technician, with experience and competence in the field of machinery for the reference sector. Depending on the production requirements, the production manager can operate the machine directly, or

select the operator to be assigned to the task.

1.3.1. PICTOGRAMS INDICATING DANGER

The following table summarises the safety-related pictograms which indicate **DANGER**.



ATTENTION - GENERIC DANGER

This draws the attention of the personnel concerned to the risk of physical injuries caused by the operation described if it is not carried out in compliance with safety regulations.



ATTENTION - DANGER DUE TO CONTACT WITH LIVE PARTS

This indicates to the personnel concerned that the described operation poses, if not carried out in compliance with safety regulations, a risk of electric shock.



ATTENTION - DANGER DUE TO FLAMMABLE MATERIAL



ATTENTION - DANGER DUE TO MOVING PARTS



ATTENTION - DANGER DUE TO HIGH TEMPERATURES



ATTENTION - DANGER DUE TO SUSPENDED LOADS



ATTENTION - DANGER DUE TO CONTACT WITH OVERHEAD OBSTACLES



ATTENTION - TRIPPING OR FALLING DANGER



ATTENTION - TANGLING DANGER

It signals to the concerned personnel that the device bearing this pictogram features parts where there is the risk getting tangled when accessed.



ATTENTION - HAND CRUSHING DANGER



ATTENTION - SHEARING DANGER



ATTENTION - CUTTING DANGER

It signals to the concerned personnel that the device on which the pictogram is located has sharp parts that may injure their hands.



ATTENTION - DANGER DUE TO CARRIAGE MOVEMENT



ATTENTION - EXPLOSION DANGER

1.3.2. PICTOGRAMS INDICATING PROHIBITION

The following table summarises the safety-related pictograms indicating **PROHIBITION**.



GENERIC PROHIBITION



NO SMOKING

Smoking is not allowed in the area where this sign is located.



NO NAKED FLAMES

This symbol prohibits the use of naked flames near the machine or parts of it to prevent a fire hazard.



NO PEDESTRIANS

Pedestrians are not allowed to pass through the area where this signal is located.



DO NOT EXTINGUISH WITH WATER

Any fire that may occur near the machine or parts of it must NOT be extinguished with jets of water.



DO NOT INSERT YOUR HANDS



DO NOT PUSH



DO NOT SEAT DOWN



DO NOT CLIMB ONTO THE SURFACE



DO NOT REMOVE THE OPERATOR GUARDS

1.3.3. PICTOGRAMS INDICATING OBLIGATION

The following table summarises the safety-related pictograms indicating **OBLIGATION**.



GENERIC OBLIGATION

The presence of the symbol next to the description indicates the obligation to carry out the operation/manoeuvre as described and in compliance with current safety regulations, in order to avoid risks and/or injuries.



OBLIGATION TO REFER TO THE OPERATOR'S MANUAL

Obligation, before carrying out any operation on the machine, to read the Instruction Manual supplied with the machine.



OBLIGATION TO USE LUBRICANTS RECOMMENDED BY IMA

Obligation, before changing the oil or the lubricants, to read the Instruction Manual supplied with the machine.



OBLIGATION TO WEAR PROTECTIVE GLOVES

The presence of the symbol next to the description requires the use of protective gloves by the operator, since the risk of injury is implicit.



OBLIGATION TO WEAR PROTECTIVE GOGGLES

The presence of the symbol next to the description requires the use of safety goggles by the operator, since the risk of injury is implicit.



OBLIGATION TO WEAR A PROTECTIVE HELMET

The presence of the symbol next to the description requires the use of a protective helmet by the operator since the risk of injury is implicit.



OBLIGATION TO WEAR A PROTECTIVE MASK

The presence of the symbol next to the description requires the use of a respiratory protective mask by the operator, since the risk of injury is implicit.



OBLIGATION TO WEAR SAFETY SHOES

The presence of the symbol next to the description requires the use of protective shoes by the operator, since the risk of injury is implicit.



OBLIGATION TO WEAR PROTECTIVE CLOTHING

The presence of the symbol next to the description requires the use of a protective overall by the operator, since the risk of injury is implicit.



OBLIGATION TO WEAR EARMUFFS FOR PROTECTION AGAINST NOISE

The presence of the symbol next to the description requires the use of earmuffs by the operator as the risk of injury is implicit.

1.4. HOW TO REQUEST ASSISTANCE

Noxon distribution network is at your disposal for any problem regarding technical assistance, spare parts and any new requirement you might need for your business.

For every technical service request regarding the machine, please indicate the data found on the identification plate, the approximate hours of use and the type of fault detected.

Please refer to one of the authorised service centres or directly to the address indicated for any need.

NOXON S.p.A
 STRADA MOLINO MAGI, 66
 47892 GUALDICCILOLO REPUBLIC OF S. MARINO (RSM)
 Tel. 0549 (international ++378) 941426
 Fax 0549 (international ++378) 977419
<http://www.aetnagroup.com>

1.5. ATTACHED DOCUMENTATION

The machine is provided with the documentation listed below, unless otherwise agreed.

- EC DECLARATION OF CONFORMITY.
- Warranty conditions.
- Pneumatic diagram.
- Wiring diagram and list of components.
- Manuals of installed commercial devices (if necessary for machine use).
- Unpacking and installation instructions.
- Quick guide for quick start.
- USB pendrive containing the information listed below.
 - Use and maintenance manual translated into various languages.
 - Spare parts catalogue.
 - Machine programming software.
 - Wiring Diagrams.

1.6. HOW TO READ THE INSTRUCTIONS FOR USE

The manual is divided into chapters, each of which describes a specific category of information.



Important

Every operator who interacts with the machine, in addition to reading all the documentation, must read and learn the information that falls within his/her operational competence.

Refer to the abbreviation that precedes the title of the chapters in the index, to search for topics to consult.

These instructions are the result of an automatic system that assembles text and illustrations, so it is possible that when changing pages, there might be interruptions in the flow of text and tables.



Important

Keep this manual for the entire duration of the machine useful life in a well known and easy to access place, available for reference any time the need should arise.

2. SAFETY INFORMATION

2.1. GENERAL SAFETY WARNINGS

**Caution - warning**

Carefully read the "Instructions for use" specified in the manual and those applied directly to the machine.

It is important to dedicate a little time to read the "Instructions for use" in order to minimise the risks and avoid unpleasant accidents.

Before performing any operation, the operator must make sure that he/she has understood the "instructions for use".

**Danger - warning**

Pay attention to the safety warnings, do not misuse the machine and assess the possible residual risks.

Caution is essential.

Safety is also in the hands of those who interface with the machine throughout its life span.

**Important**

Sometimes, accidents can be caused by a "careless" use of the machine by the operator.

Usually it is too late to remember what should have been done when the accident has already happened.

**Caution - warning**

Preserve the readability of the information signs and observe the indications given.

The information signs may have different shapes and colours, indicating hazards, obligations, prohibitions and indications.

Tampering with the safety devices and the removal of the same may create risks (even severe) for the operators.

The personnel authorised to carry out any operation with the machine must have acknowledged experiences in the specific field.

**Important**

The manufacturer is not responsible for any damage to the packaged product occurred during wrapping, stabilisation and following operations.

**Important**

Non-compliance with the instructions given may cause risks to the safety and health of people, as well as economic damages.

2.2. SAFETY WARNINGS FOR HANDLING AND INSTALLATION



Danger - warning

The personnel authorised to handle the machine (load and unload) must possess the necessary technical and professional knowledge and skills.

Handle (load and unload) the machine according to the instructions affixed directly to the machine, to the package and in the user manual.

During handling use one or more assistants, if required. This may pose unexpected risks.

In order to minimise the risks related to assistants' involvement, you must inform them in advance on the type of work to be carried out and the behaviour to adopt.

Handling must be carried out with the aid of specific means (crane, forklift truck etc.) by qualified personnel capable of observing the safety requirements.

When using the lifting means, insert and/or fasten the devices (hooks, forks etc.) only into the points provided on the package and/or on the machine.

Transport the machine with suitable means of adequate capacity.

The minimum and maximum temperature (during transport and/or storage) must fall within the range allowed in order to prevent damaging the electrical components.

Install the machine only in spaces with no explosion and/or fire risks.

Avoid spaces exposed to atmospheric and corrosive agents.

Assess, prior to installation, if it is necessary to implement a "safety plan" in order to protect the safety of the personnel involved.

Provide proper safety conditions when operating in high areas that are dangerous or hard to access.

Install the machine according to the minimum perimeter spaces indicated by the Manufacturer and the surrounding working activities.

Prepare a machine installation project if the machine is to interact (directly or indirectly) with another machine or with a production line.

The project must take into account all operating conditions, in order to comply with all laws in force on matter of safety in the workplace.

Check that the installation space is properly ventilated in order to avoid unhealthy air concentration for the operators.

Implement the most suitable solutions to minimise noise emission levels and acoustic pollution.

Carry out the electrical connections in accordance with the best practice and in full compliance with the instructions provided by the Manufacturer and the specific regulations in force.



Important

The electrical connections must be carried out exclusively by operators with acquired and acknowledged skills in the field of intervention.

The installer must test the machine and check, through a general test, that the machine can be commissioned without any risk for the operator.

Dispose of all the packaging components in compliance with the standards in force in the Country of installation.

Non-compliance with the instructions given may cause risks to the safety and health of people, as well as economic damages.

2.3. SAFETY WARNINGS FOR USE AND OPERATION



Danger - warning

The operator must be trained and possess the adequate skills required to carry out the specific tasks and must be fit to use the machine safely.

When using the machine for the first time, the operator must read the manual and identify the control functions and simulate some operations, especially machine start and stop.

The machine has been designed and manufactured to meet all the operating conditions indicated by the Manufacturer.



Caution - warning

Use the machine only with the original safety devices installed by the Manufacturer.
Do not tamper with, disable, remove or bypass the safety devices installed on the machine.



Danger - warning

Do not modify the constructive and functional characteristics of the machine in any way.

Do not use the machine with the safety devices not properly installed and efficient.

Always wear the Personal Protective Equipment indicated in the "Instructions for use", **in particular safety shoes**, and that provided for by the laws in force on matter of safety in the workplace.

Always keep the perimeter areas in suitable conditions and free from obstacles in order to minimise the risks for the operator, especially near the control station.

The machine must be used **by one operator only**, that must be appointed and authorised by the employer.

The involvement of one or more assistants when performing some operations or maintenance (ordinary) interventions may pose unpredictable risks.

In order to minimise the risks related to assistants' involvement, you must inform them in advance on the type of work to be carried out and the behaviour to adopt.

Make sure that no unauthorised persons are within the machine operating area during its production activity and during maintenance.

It is forbidden to climb onto the rotary table with forklift trucks. In addition to being dangerous, it can also damage the machine.



Important

Non-compliance with the instructions given may cause risks to the safety and health of people, as well as economic damages.

2.4. SAFETY WARNINGS RELATED TO MISUSE

2.4.1. REASONABLY FORESEEABLE MISUSE

- The reasonably foreseeable misuse is: “the use of the machine in a way other than that indicated in the manual, that may stem from the easily predictable human behaviour”.
The machine must be used only for wrapping and stabilising products with regular shape or with a shape that ensures a stable wrapping.
Packages containing liquids or insubstantial materials must have characteristics suitable to the product and be perfectly closed and sealed to prevent the contents from flowing out.
 Do not palletize or wrap products housed in irregularly shaped packages (boxes, liquid containers, etc.) or packages that do not guarantee their stability.
- The machine should only be used for the uses intended by the Manufacturer.
- Do not allow the machine to be used by operators that are not properly trained, informed and authorised.
- Packages containing liquid or insubstantial products must ensure that they do not leak out.
- Do not wrap bulk products of irregular shape and improperly collected to avoid an unsuitable palletization.
- Do not use the machine to wrap and stabilise living beings (animals and persons).
- Do not use the machine with wrapping material other than that provided by the Manufacturer.
- Do not use the machine as a lifting device or as a work surface (e.g. workbench).
- Do not stretch or pre-stretch the film excessively and do not wrap the product with too many wrappings in order to prevent damaging the packages and the products contained in them.
- Do not use or let the machine be used for purposes or in ways other than those intended by the Manufacturer.
- Do not use or let the machine be used with defective, deactivated and/or incorrectly installed safety devices.
- Do not continue to use the machine if malfunctions have been detected.
- Stop the machine immediately and restart it only after the normal conditions of use have been restored.
- Never carry out an intervention with the machine in operation, but only after stopping it properly, under safety conditions.
- Never use the machine without wearing the Personal Protective Equipment indicated by the Manufacturer and provided for by the laws in force on workplaces.
- Never use the machine if the scheduled maintenance interventions have not been carried out.
- Do not clean or wash the machine with aggressive products to avoid damaging the components.
- Do not replace the components with non-original spare parts or part with different design and construction features.
- Do not leave the machine unattended at the end of the production activity without shutting it down first in safety conditions.

2.4.2. EMPLOYER OBLIGATIONS

- The operator must be trained to acquire the required skills in the field of packaging machines or equivalent. Upon completing the training, ensure that the operator has understood the entire content of the operating manual, in particular the safety information.
- The operator must have the required skills and must be fit for the activities to be carried out in safety conditions.
- The employer must inform the operator on the reasonably foreseeable misuses and on the persistent residual risks.
- The operator must be capable of reading and understanding the user manual and must easily identify the safety signs.
- Allow the machine to be used only by operators that are properly trained, informed and authorised.



Important

The employer must document the training carried out for the operators.

2.5. SAFETY WARNINGS ON RESIDUAL RISKS



Danger - warning

During design and manufacturing, the Manufacturer has paid particular attention to the residual risks that may affect the safety and health of the operators.

The residual risks are: "all the risks that persists although all safety solutions have been applied and integrated during machine design".

The list specifies the residual risks specific for this type of machine.



Risk of slipping:

Do not climb on machine parts during its operation.



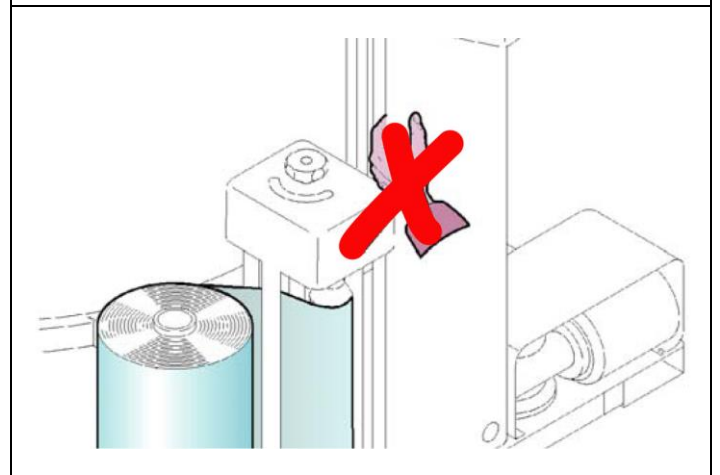
Risk of impact:

Do not approach machine parts during its operation.



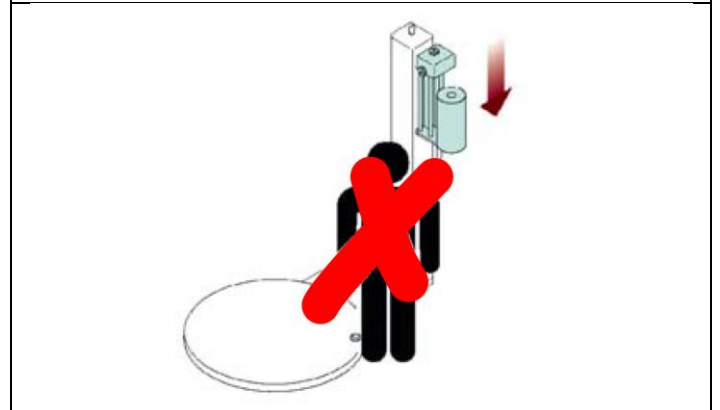
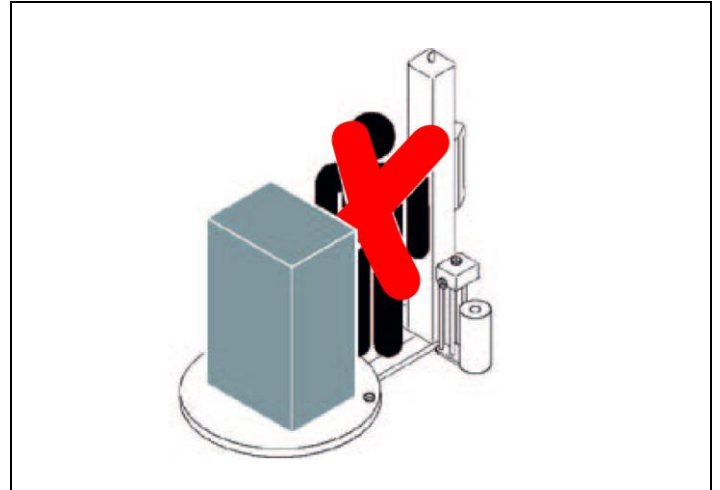
Risk of shearing upper limbs:

Do not insert your hands inside moving parts.





Risk of body crushing:
Do not stand in the machine operating area.



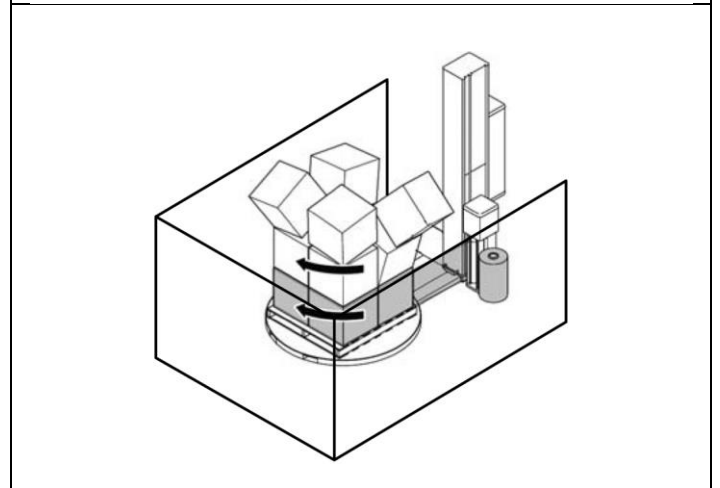
Risk of impact and slipping:
Do not approach or climb on machine parts (e.g.: rotary table) with the lifting device during machine operation.



Risk of falling or ejected objects:
Do not use the machine at a speed which is not suitable for the type of product to be wrapped.



If the packages to be wrapped contain unstable and dangerous elements, it is necessary to implement appropriate safety measures (e.g.: perimeter protections) to avoid risks of injuries to persons.



2.6. SAFETY WARNINGS FOR ADJUSTMENTS AND MAINTENANCE

- Keep the machine in maximum efficiency conditions and perform all the scheduled maintenance operations provided for by the Manufacturer.
Proper maintenance will provide the best performance, a longer life span and constant compliance with safety requirements.
- Enable all machine safety devices before performing any maintenance and adjustment operations.
- Demarcate the surrounding areas and put in place adequate safety measures, as provided for by the standards on workplace safety, in order to prevent and minimise the risks.
- Maintenance interventions in areas that are not easily accessible or dangerous must be carried out after having ensured the necessary conditions are met.
- The personnel authorised to carry out the ordinary maintenance (adjustments, replacements etc.) must possess the necessary technical and professional knowledge and skills.
- Do not carry out interventions other than those indicated in the user manual without the express authorisation of the Manufacturer.
- Do not use products that contain corrosive and flammable substances or that are harmful to people's health.
- Wear Personal Protective Equipment as required by labour laws and as indicated in the "Instructions for Use" and/or on the machine.
- The use of similar but non-original spare parts may result in improper repairs, altered performance and economic damage.
- Use lubricants (oils or grease) recommended by the Manufacturer or with similar chemical-physical features.
- Do not dispose of polluting liquids, worn parts and maintenance waste into the environment.
- Select the components according to the chemical and physical features of the material and dispose of them separately in accordance with the applicable laws.
- All the extraordinary maintenance interventions shall be carried out only by authorised personnel with experience and expertise in the field of intervention.



Important

Non-compliance with the instructions given may cause risks to the safety and health of people, as well as economic damages.

2.7. SAFETY WARNING FOR THE ELECTRICAL EQUIPMENT

The electrical equipment has been designed and manufactured in accordance with the relevant standards.

These standards consider operating conditions based on the surrounding environment.

The list contains the conditions necessary for the correct operation of the electrical equipment.

- Ambient temperature must be within **5°C** and **40°C**.
- The relative humidity should be between **50%** (measured at **40°C**) and **90%** (measured at **20°C**).
- The installation environment must be immune to and must not be a source of electromagnetic interference or radiation (x-rays, lasers, etc.).
- The environment must not have areas with concentrations of gas and dust that are potentially explosive and/or with a fire risk.
- The products and materials used during production and maintenance must not contain contaminants or corrosive agents (acids, chemicals, salts, etc.) and must not be able to penetrate and/or come into contact with electrical components.
- During transport and storage, the ambient temperature must be between **-25°C** and **55°C**.
- The electrical equipment may still be exposed to a temperature of up to **70°C** provided that the exposure time does not exceed **24** hours.
- The electrical equipment operates correctly up to **1000 m** above sea level.



Important

If it is not possible to comply with one or more of the conditions listed, which are essential for the correct operation of the electrical equipment, it is necessary to agree at the contractual stage which additional solutions to adopt in order to create the most suitable conditions (e.g. specific electrical components, air conditioning equipment, etc.).

2.8. INFORMATION AND SAFETY SIGNS

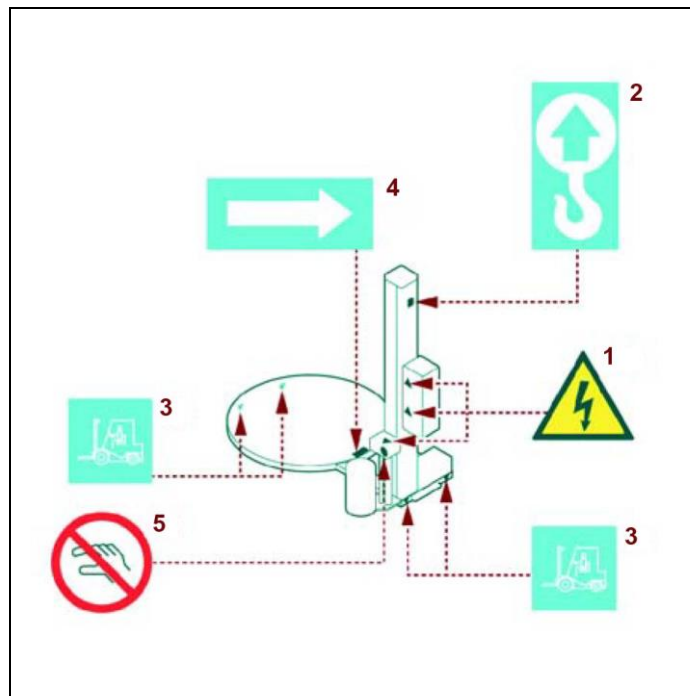
The figure indicates the position of the safety and information signs affixed to the machine. A description is provided for each sign.

1. **Electrical hazard sign**
Do not access the area to avoid risks of electric shock or electrocution.
2. **Information sign**
It indicates the lifting points with hook device.
3. **Information sign**
It indicates the lifting points with fork device.
4. **Information sign**
It indicates the rotary table rotation direction.
5. **Prohibition sign**
Do not act on the component with your hands.



Important

Make sure that the nameplates are clearly legible.
If not, replace and reposition them at the original position.

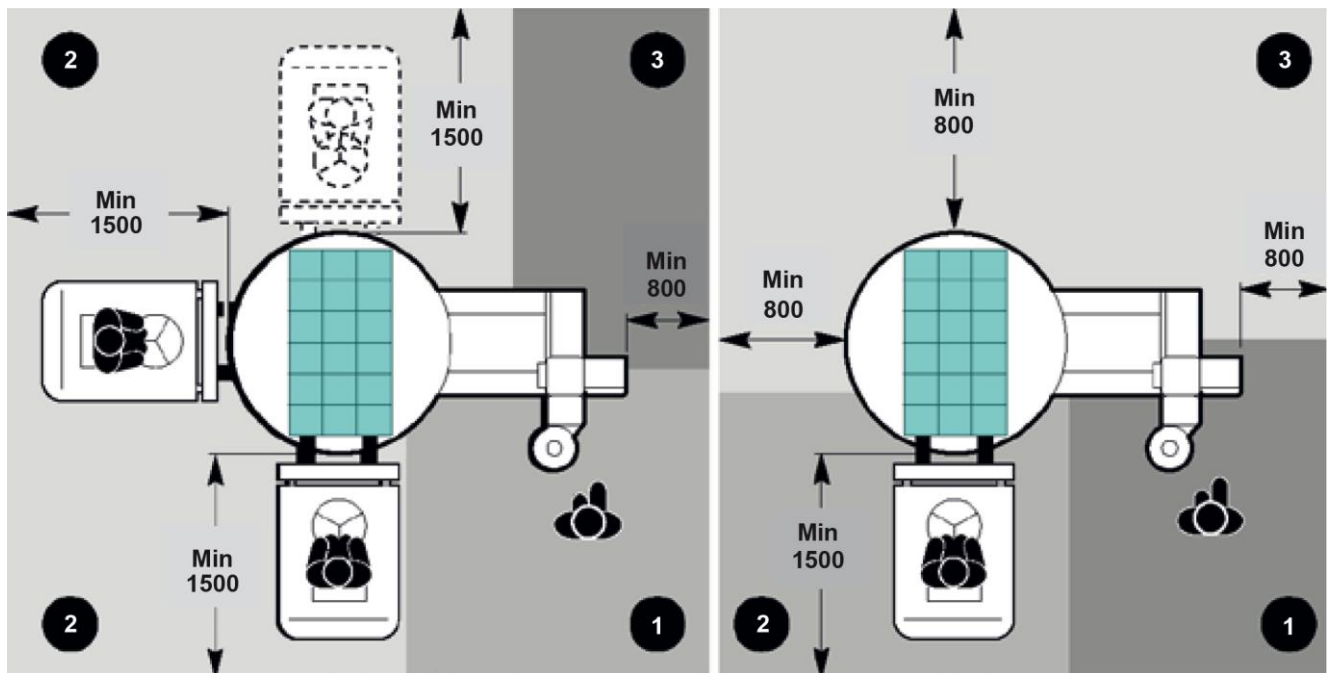


2.9. PERIMETER AREAS

The illustration shows the perimeter working areas of the machine.

1. Operator standing area.
2. Pallet loading/unloading area.
3. Perimeter area.

Freesby Window 210 / 212



3. TECHNICAL INFORMATION

3.1. MACHINE GENERAL DESCRIPTION

- The machine is a semi-automatic machine for palletised load wrapping and stabilising with stretch film.
- The machine must be used only for wrapping and stabilising products contained in packages (in boxes, liquid containers, etc.) with regular shape or with a shape that ensures a stable palletisation.
- Packages containing liquids or insubstantial materials must have characteristics suitable to the product and be perfectly closed and sealed to prevent the contents from flowing out.
- The machine consists of a rotary table, which makes the pallet turn, and a spool carriage which unwinds and stretches the film.
- The machine is equipped with a series of safety devices designed to avoid any injuries to the operator or other persons using the machine. It comes in different models to satisfy different market needs.
- Stretch film spools commonly available on the market are used for load wrapping.
- This machine is normally installed in workshops or industrial environments protected from the atmospheric agents.



Danger - warning

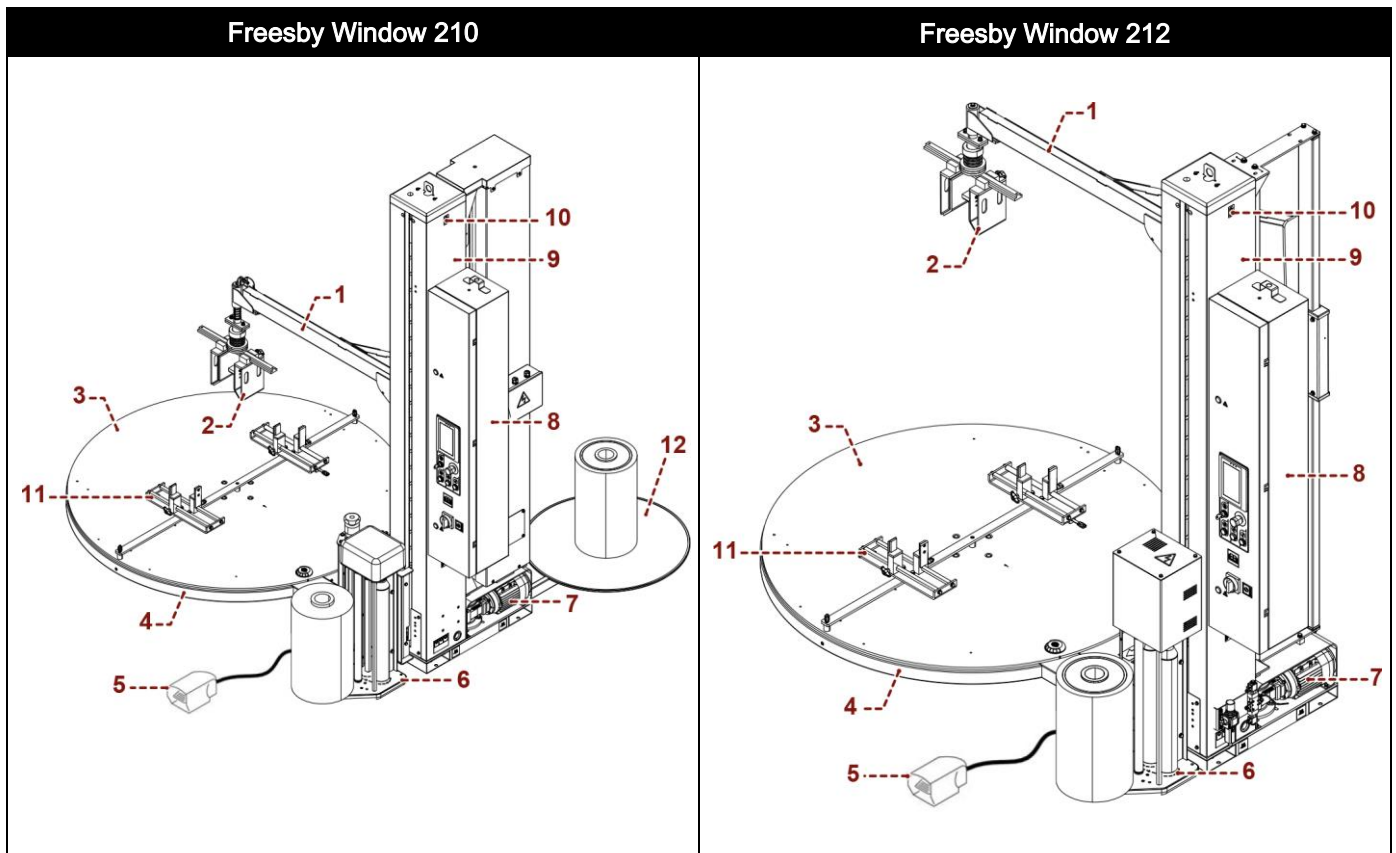
Using this machine in explosive environments or when exposed to atmospheric agents is strictly forbidden.

- The pallet loading and unloading are performed by the user, who can also insert and cut the film.
- Only one operator is required for its use.

The illustration shows, for information purposes only, the machine models, and the legend lists the parts.

Legend:

1. Slide shaft
2. Clamping grippers
3. Rotary table
4. Base
5. Foot control
6. Spool carriage
7. Table motor
8. Control panel
9. Slide shaft
10. Carriage motor
11. Clamping grippers
12. "Bubble wrap" spool carriage



3.1.1. MACHINE MODELS DESCRIPTION

- Freesby Window 210
- Freesby Window 212

Table: Spool carriage features

Spool carriage type	General features
210	Spool carriage of the "210" type with friction roller, electromagnetic brake and film stretch adjustment from the control panel.
212	Spool carriage of "212" type with motorised pre-stretching rollers and electronically controlled film tensioning. Pre-stretch can be adjusted from the control panel (0÷25).

3.2. DESCRIPTION OF FREESBY WINDOW 210 OPERATION CYCLE

Phase 1

The operator clamps the base of the product with the grippers placed on the rotary table and lowers the presser with the foot control to clamp also the upper part.

Phase 2

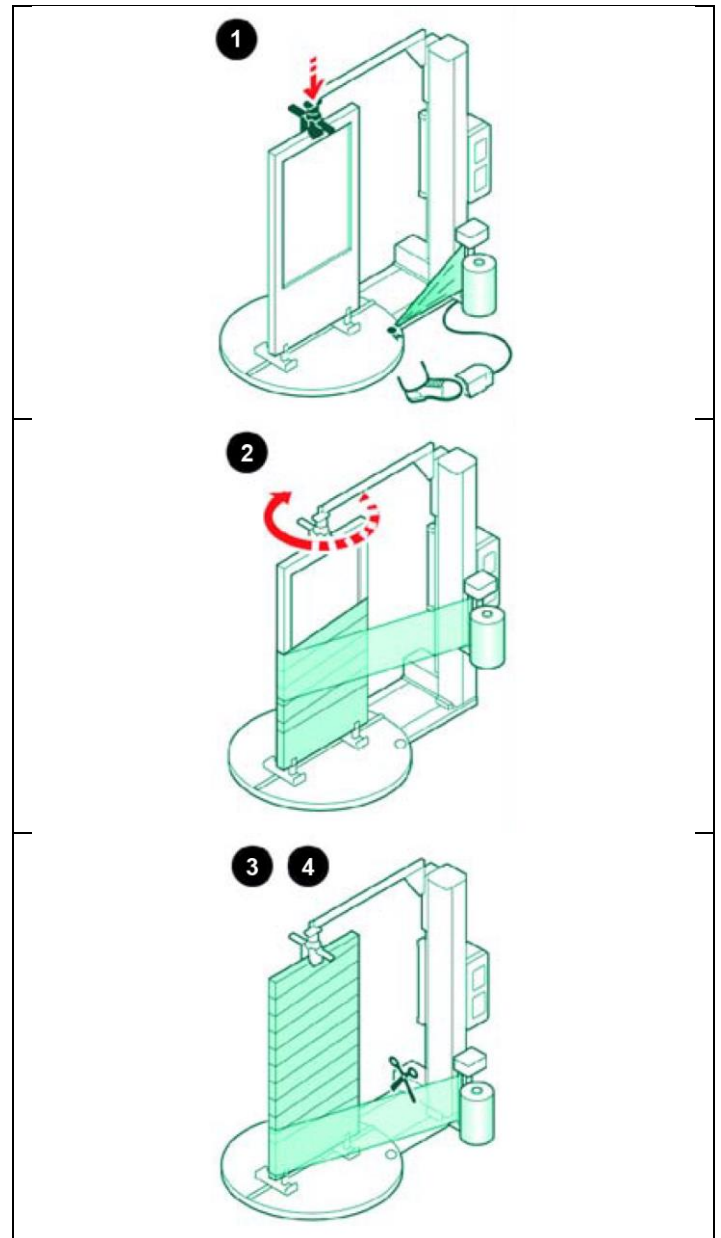
Once the cycle has started, the rotary table starts to turn, while the spool carriage unwinds the film, according to pre-set parameters.

Phase 3

After wrapping the machine stops for the manual cut of the film.

Phase 4

The operator holds the product and raises the presser with the foot control to release it from the grippers. The cycle is complete and the machine is ready to start a new cycle.



3.3. DESCRIPTION OF FREESBY WINDOW 212 OPERATION CYCLE

Phase 1

The operator places the product letting it slide on the conveyor and lowers the presser with the foot control to clamp the upper part.

With the foot control placed on the side of the conveyor (long lever), the operator clamps the lower part of the product.

Phase 2

Once the cycle has started, the rotary table starts to turn, while the spool carriage unwinds the film, according to pre-set parameters.

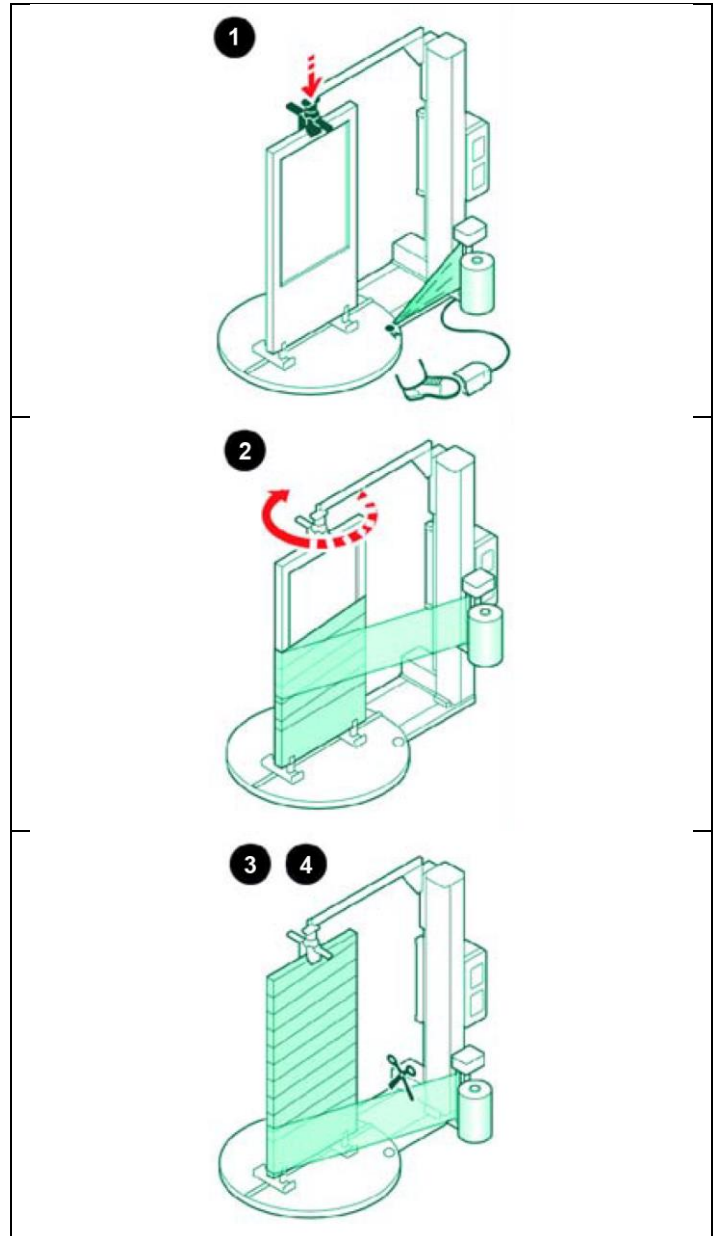
Phase 3

After wrapping the machine stops for the manual cut of the film.

Phase 4

The operator holds the product and raises the presser with the foot control to release it from the grippers.

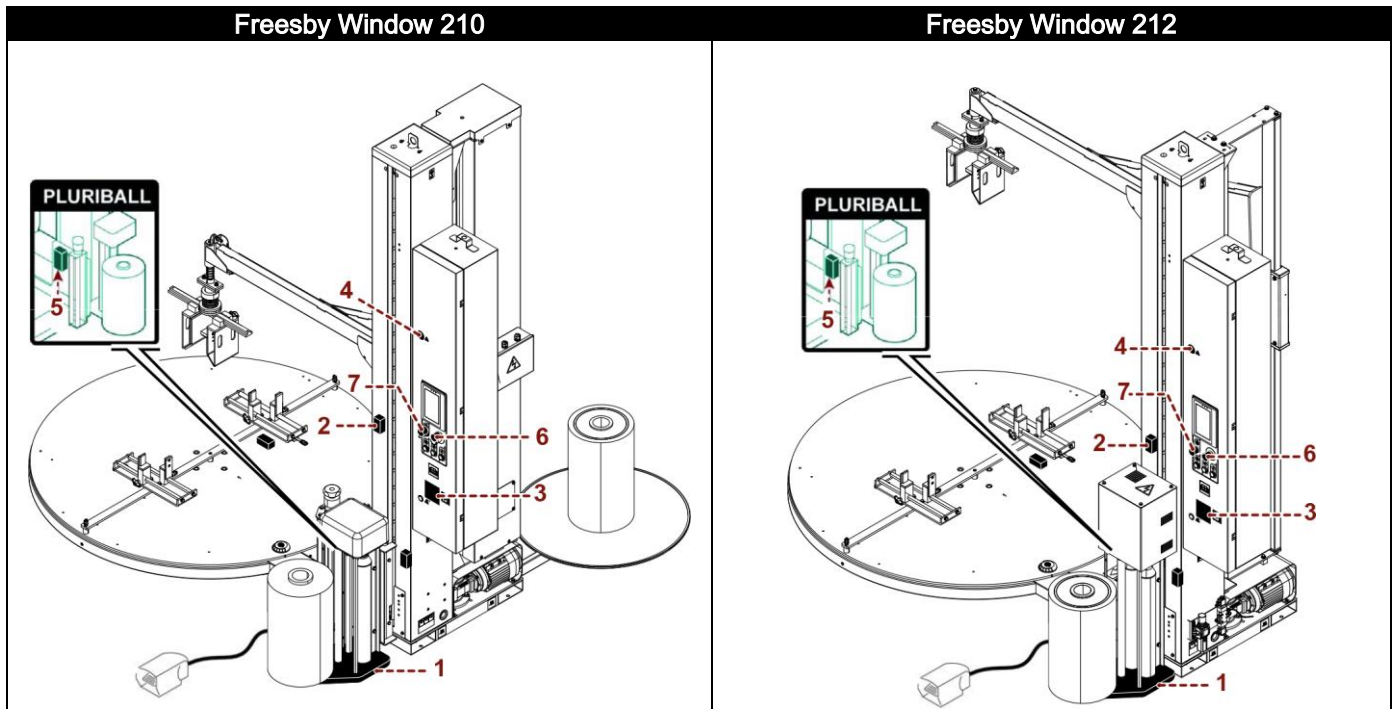
The cycle is complete and the machine is ready to start a new cycle.



3.4. SAFETY DEVICE DESCRIPTION

The figure shows the position of the devices on the machine.

1. **Spool carriage base microswitch:**
it stops the downstroke if there are obstacles under the carriage.
2. **Spool carriage mechanical locking device:**
it immediately stops the fall of the spool carriage in case of accidental breakage of the lifting chain.
3. **Main switch:**
it enables and disables the power supply. It can be locked to prevent unauthorised persons from enabling it during machine adjustment and maintenance phases.
4. **Acoustic signal:** it signals the wrapping cycle start.
5. **"Bubble wrap" carriage microswitch:**
it stops the downstroke if there are obstacles under the spool carriage.
To reset, rotate the button in the direction indicated by the arrow.



6. Emergency button:

when pressed, it immediately stops the machine in emergency conditions.

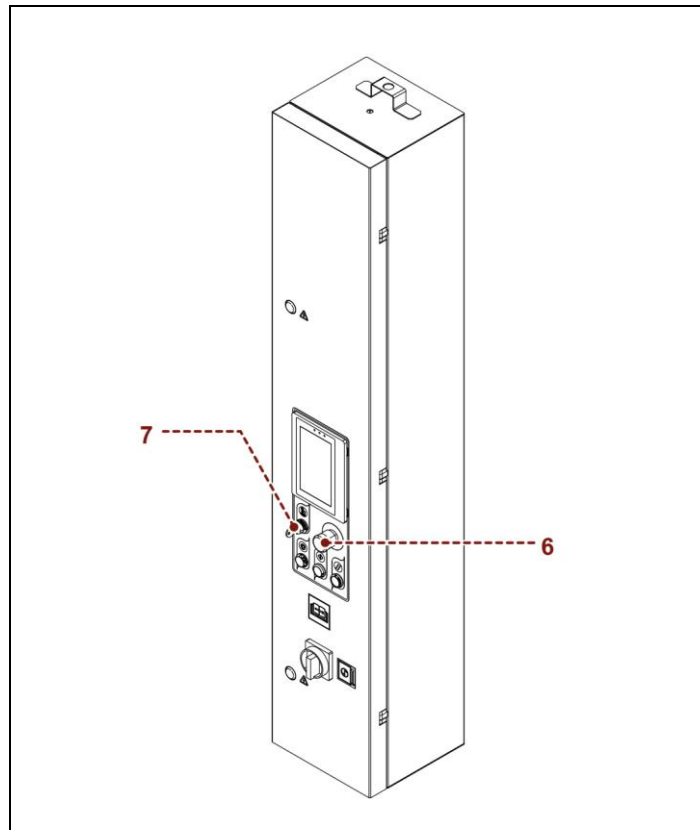
**Danger - warning**

When the emergency button is pressed, the terminals of the motors may still be powered.

7. Key-operated switch:

it overrides the emergency condition of the spool carriage.

If it is kept turned, it allows to activate the carriage upstroke with the user interface manual controls.



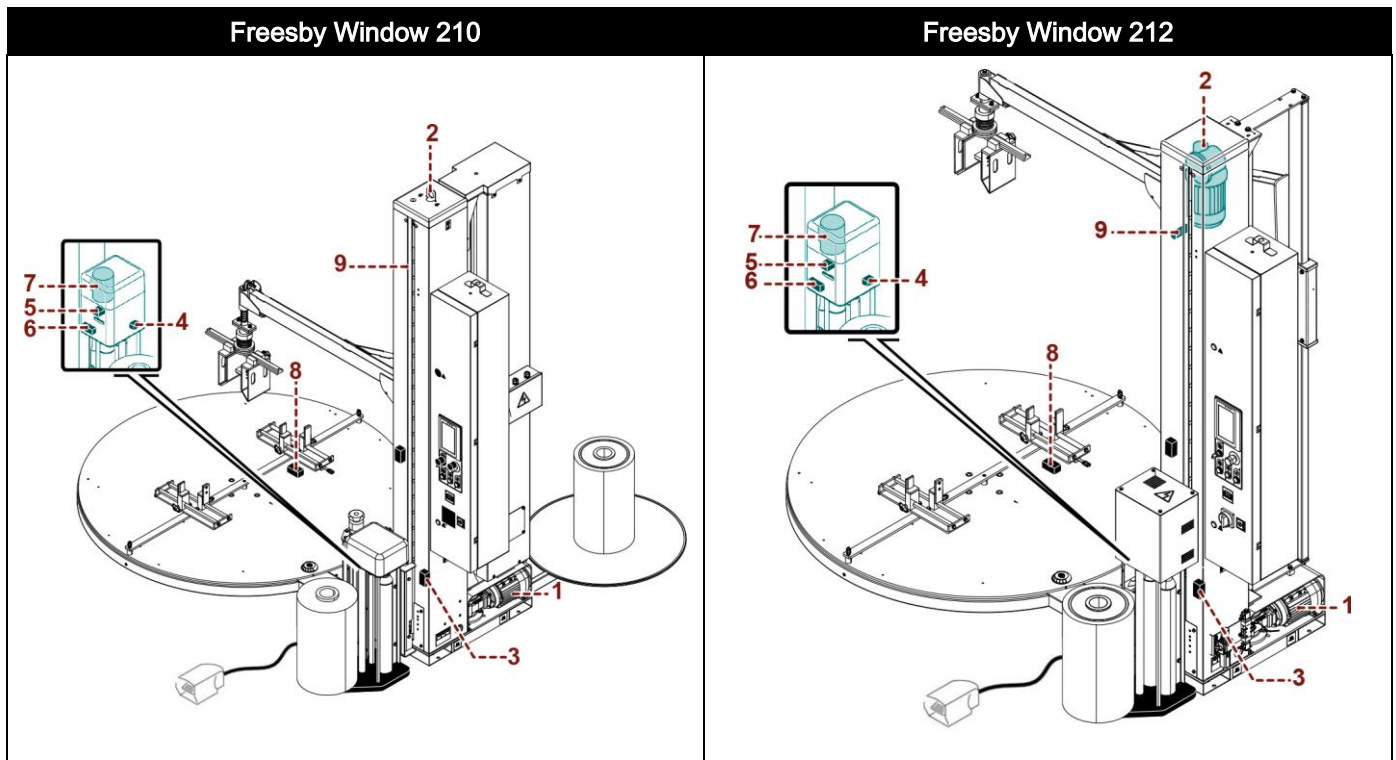
3.5. DESCRIPTION OF ELECTRICAL DEVICES

The figure shows the position of the devices on the machine.

1. **Gearmotor:**
it activates the table rotation.
2. **Gearmotor:**
it activates the spool carriage movement.
3. **Carriage limit microswitch:**
it is activated when the spool carriage reaches the minimum and maximum wrapping height.
4. **Microswitch:**
it stops the downstroke if there are obstacles under the spool carriage.
5. **Photocell:**
it detects the height and the presence of the load to be wrapped.
6. **"Load cell" sensor:**
it detects the film tensioning and enables the variation of the pre-stretching roller speed.
7. **Electric motor:**
it powers pre-stretching rollers.
8. **Sensor:**
it enables the synchronised stop of the rotary table.
9. **Carriage lifting sensor:**
it determines the position in which the carriage must be stopped to start the processing.



Important
For further details see the wiring diagram.



3.6. DESCRIPTION OF ACCESSORIES ON REQUEST

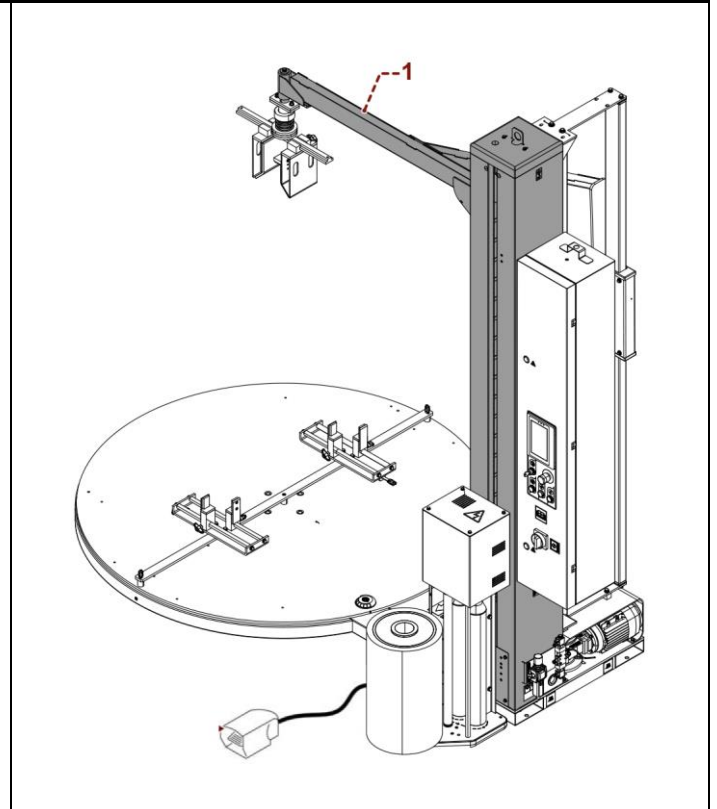
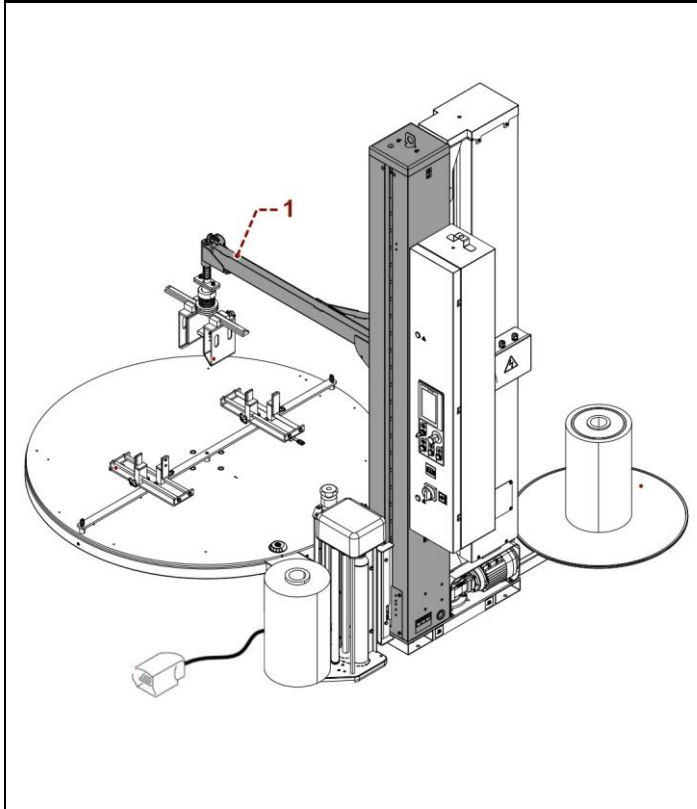
To increase the machine performance and versatility, the Manufacturer makes available the following accessories.

1. Mechanical presser:

electrically controlled device for load stabilisation, it is not necessary to adjust the height according to the size of the product to be wrapped.

Freesby Window 210

Freesby Window 212

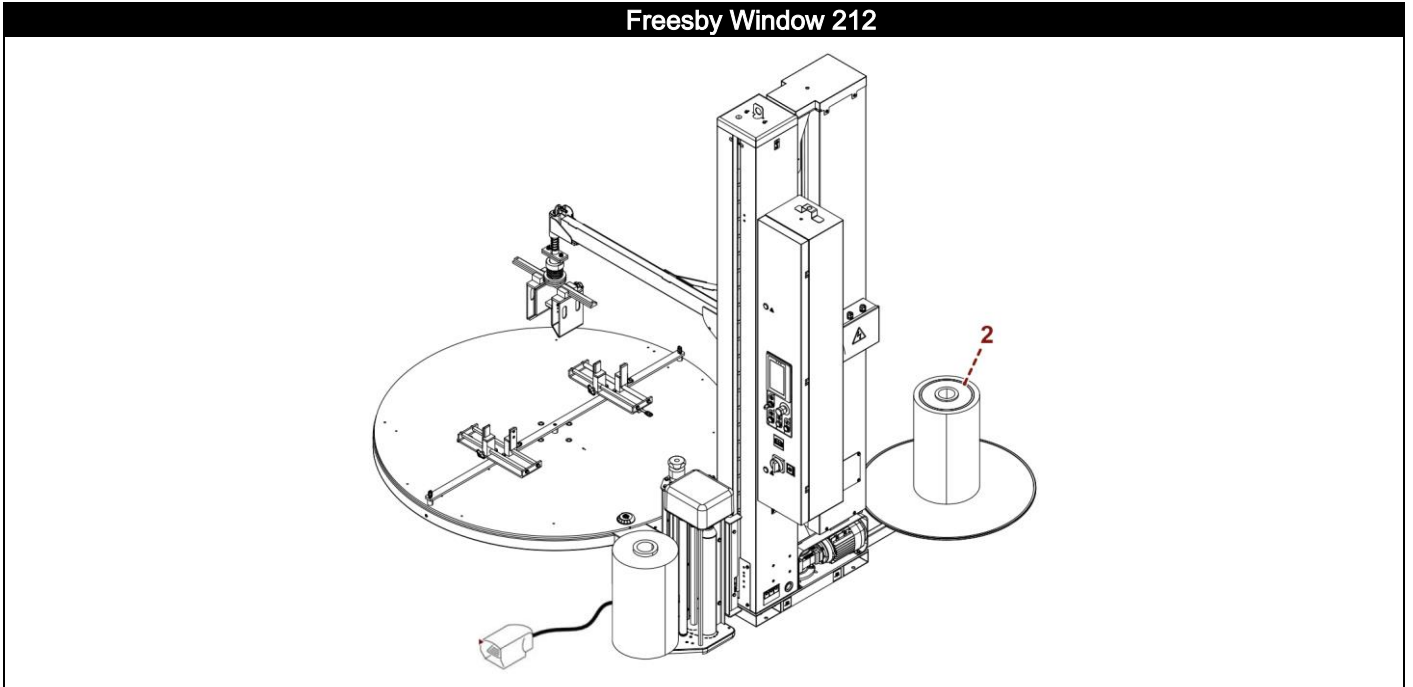


2. "Bubble wrap" spool carriage unit:

suitable for wrapping edges or sides, using bubble wrap spools or similar ones. It features film "quick loading" and a safety device to stop the carriage.

- **Rotary table** (ø1800):
it is used to wrap pallets with a size greater than the standard one.
- **Slide shaft** (2800-3100 mm):
it is used to wrap pallets which are higher than the standard ones.

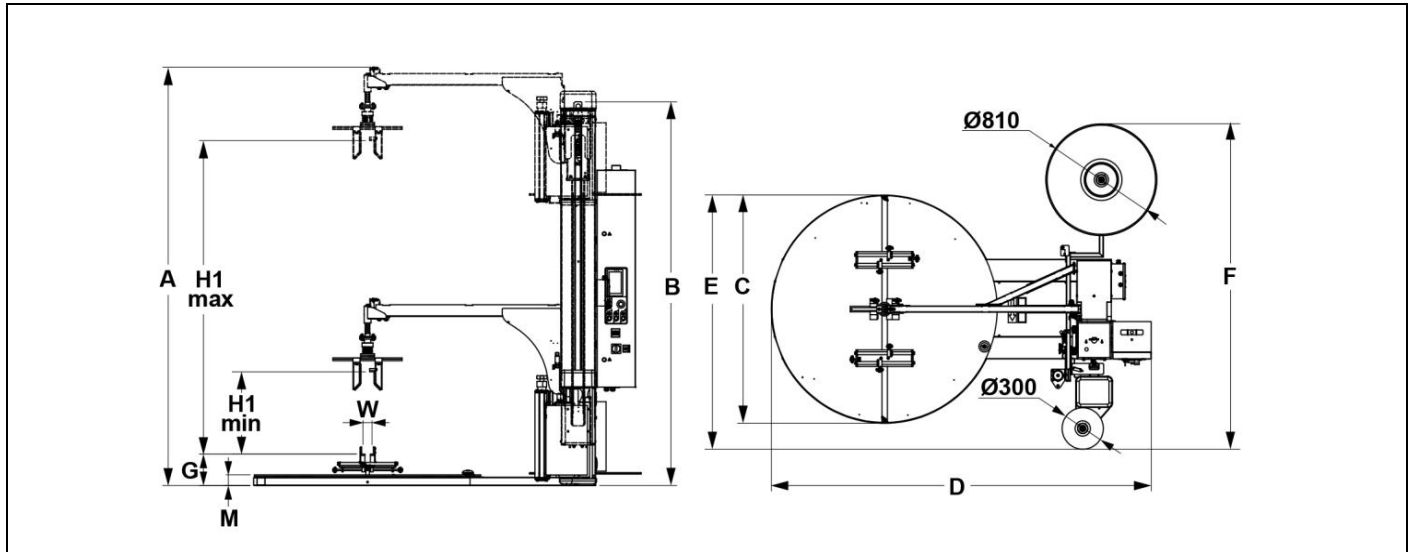
Freesby Window 212



3.7. "FREESBY WINDOW 210" TECHNICAL DATA (WITH BUBBLE WRAP MECHANICAL PRESSER)

The illustration and the table include the machine dimensional specifications and technical data.

Machine and load overall dimensions



3.7.1. MACHINE DIMENSIONS

	Standard	Optional	Optional
Shaft H (mm)	2400	2800	3100
A (mm)	3010	3410	3710
Carriage MAX H (mm)	2830	3230	3530
B (mm)	2760	3160	3460
H1 min (mm)	400	400	400
H2 max (mm)	2100	2500	2800
M (mm)	77.5	77.5	-
C (mm)	1650	1800	-
D (mm)	2760	2835	-
E (mm)	1835	1910	-
G (mm)	225	225	-
F (mm)	2352.50		
W (mm)	380	380	-
Weight (kg)	100	100	-

3.7.2. MACHINE OVERALL DIMENSIONS

	Standard	Optional
Load overall dimensions (mm)	Ø1650	Ø1800

3.7.3. MACHINE TECHNICAL FEATURES

Description		Unit of measurement	EU
Supply voltage		V	220÷240 1Ph 220÷240 3Ph 380÷415 3Ph
Electrical current frequency		Hz	50/60
Installed power		kW	1.9
Table rotation speed	C=1650 C=1800	rpm	5-12 5-11
Carriage upstroke / downstroke speed		m/min.	1.5-5.5
Overall weight		kg	380÷640
Ambient operating temperature		°C	0÷40

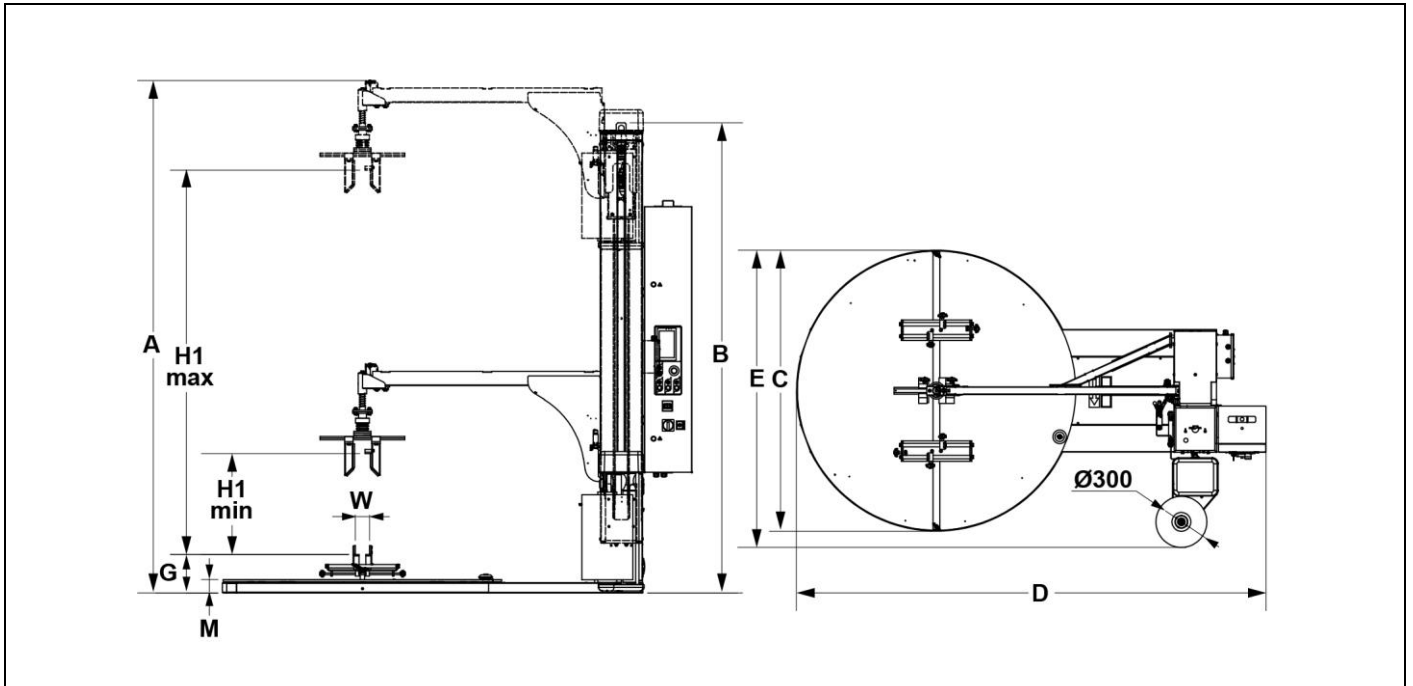
3.7.4. PRESSER TECHNICAL FEATURES

Description		Value
Working pressure		6 (±1) bar (0.6±0.1 MPa)
Pneumatic cylinder with rod	H=2200/2400 2800/3100	Air consumption 11 NI/min

3.8. "FREESBY WINDOW 210" TECHNICAL DATA (WITH MECHANICAL PRESSER)

The illustration and the table include the machine dimensional specifications and technical data.

Machine and load overall dimensions



3.8.1. MACHINE DIMENSIONS

	Standard	Optional	Optional
Shaft H (mm)	2400	2800	3100
A (mm)	3010	3410	3710
Carriage MAX H (mm)	2830	3230	3530
B (mm)	2760	3160	3460
H1 min (mm)	400	400	400
H2 max (mm)	2100	2500	2800
M (mm)	77.5	77.5	-
C (mm)	1650	1800	-
D (mm)	2760	2835	-
E (mm)	1745	1820	-
G (mm)	225	225	-
W (mm)	380	380	-
Weight (kg)	100	100	-

3.8.2. MACHINE OVERALL DIMENSIONS

	Standard	Optional
Load overall dimensions (mm)	Ø1650	Ø1800

3.8.3. MACHINE TECHNICAL FEATURES

Description		Unit of measurement	EU
Supply voltage		V	220÷240 1Ph 220÷240 3Ph 380÷415 3Ph
Electrical current frequency		Hz	50/60
Installed power		kW	1.9
Table rotation speed	C=1650 C=1800	rpm	5-12 5-11
Carriage upstroke / downstroke speed		m/min.	1.5-5.5
Overall weight		kg	380÷640
Ambient operating temperature		°C	0÷40

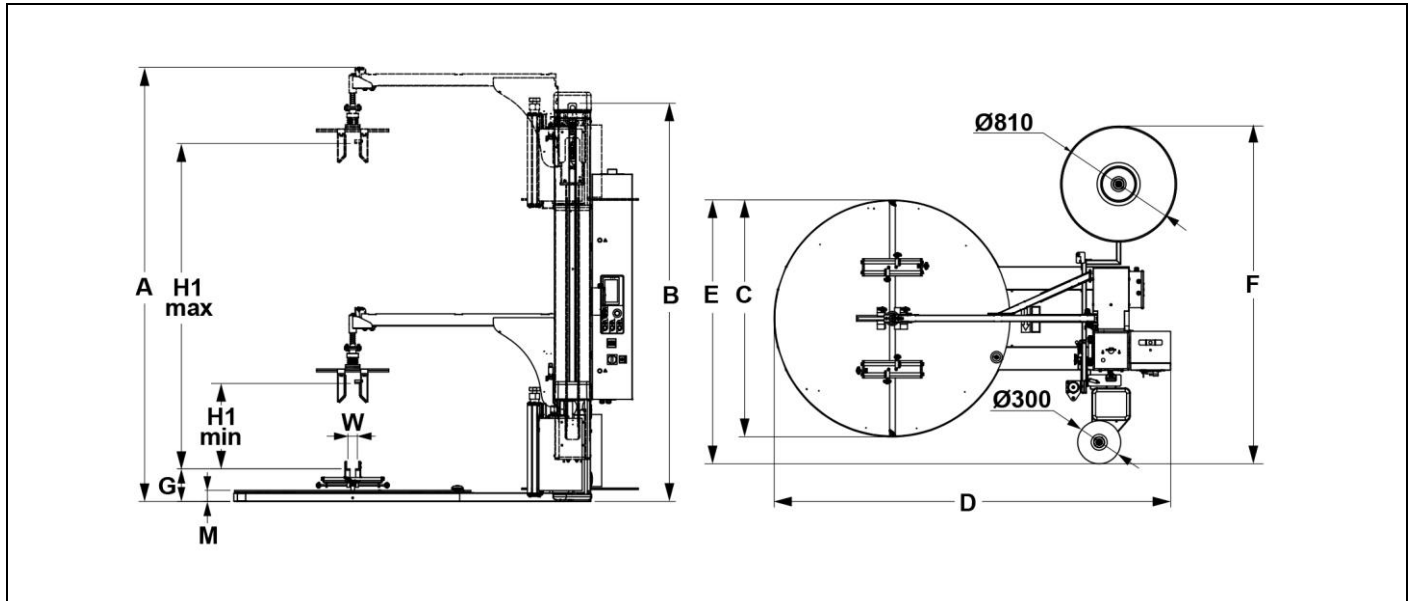
3.8.4. PRESSER TECHNICAL FEATURES

Description		Value
Working pressure		6 (±1) bar (0.6±0.1 MPa)
Pneumatic cylinder with rod	H=2200/2400 2800/3100	Air consumption 11 NI/min

3.9. "FREESBY WINDOW 210" TECHNICAL DATA (WITH PNEUMATIC PRESSER)

The illustration and the table include the machine dimensional specifications and technical data.

Machine and load overall dimensions



3.9.1. MACHINE DIMENSIONS

	Standard	Optional	Optional
Shaft H (mm)	2400	2800	3100
A (mm)	2985	3385	3685
Carriage MAX H (mm)	2830	3230	3530
B (mm)	2760	3160	3460
H1 min (mm)	400	400	400
H2 max (mm)	2100	2500	2800
M (mm)	77.5	77.5	-
C (mm)	1650	1800	-
D (mm)	2760	2835	-
E (mm)	1745	1820	-
G (mm)	225	225	-
W (mm)	380	380	-
Weight (kg)	100	100	-

3.9.2. MACHINE OVERALL DIMENSIONS

	Standard	Optional
Load overall dimensions (mm)	Ø1650	Ø1800

3.9.3. MACHINE TECHNICAL FEATURES

Description		Unit of measurement	EU
Supply voltage		V	220÷240 1Ph 220÷240 3Ph 380÷415 3Ph
Electrical current frequency		Hz	50/60
Installed power		kW	1.9
Table rotation speed	C=1650 C=1800	rpm	5-12 5-11
Carriage upstroke / downstroke speed		m/min.	1.5-5.5
Overall weight		kg	380÷640
Ambient operating temperature		°C	0÷40

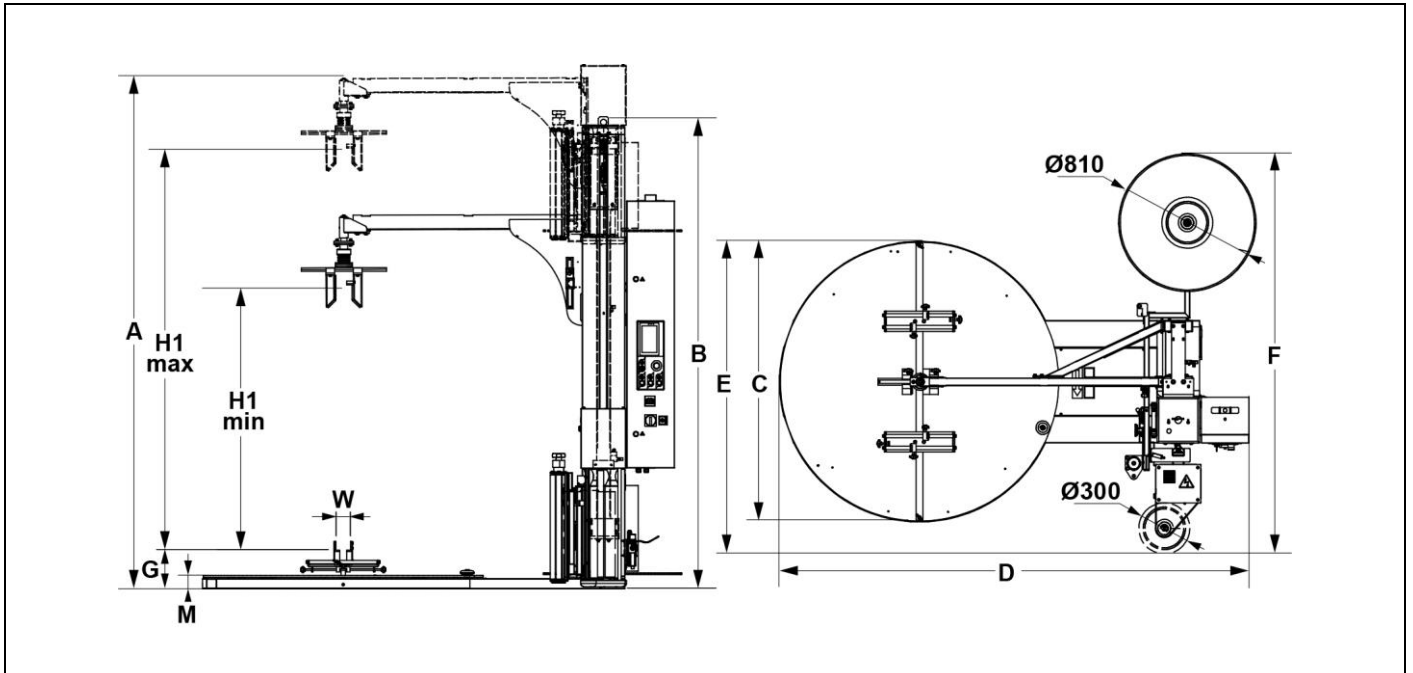
3.9.4. PRESSER TECHNICAL FEATURES

Description		Value
Working pressure		6 (±1) bar (0.6±0.1 MPa)
Pneumatic cylinder with rod	H=2200/2400 2800/3100	Air consumption 11 NI/min

3.10."FREESBY WINDOW 210" TECHNICAL DATA (WITH BUBBLE WRAP PNEUMATIC PRESSER)

The illustration and the table include the machine dimensional specifications and technical data.

Machine and load overall dimensions



3.10.1. MACHINE DIMENSIONS

	Standard	Optional	Optional
Shaft H (mm)	2400	2800	3100
A (mm)	2985	3385	3685
Carriage MAX H (mm)	3050	3450	3750
B (mm)	2760	3160	3460
H1 min (mm)	1050	1050	1050
H2 max (mm)	2100	2500	2800
M (mm)	77.5	77.5	-
C (mm)	1650	1800	-
D (mm)	2760	2835	-
E (mm)	1835	1910	-
G (mm)	225	225	-
W (mm)	380	380	-
Weight (kg)	100	100	-

3.10.2. MACHINE OVERALL DIMENSIONS

	Standard	Optional
Load overall dimensions (mm)	Ø1650	Ø1800

3.10.3. MACHINE TECHNICAL FEATURES

Description		Unit of measurement	EU
Supply voltage		V	220÷240 1Ph 220÷240 3Ph 380÷415 3Ph
Electrical current frequency		Hz	50/60
Installed power		kW	1.9
Table rotation speed	C=1650 C=1800	rpm	5-12 5-11
Carriage upstroke / downstroke speed		m/min.	1.5-5.5
Overall weight		kg	380÷640
Ambient operating temperature		°C	0÷40

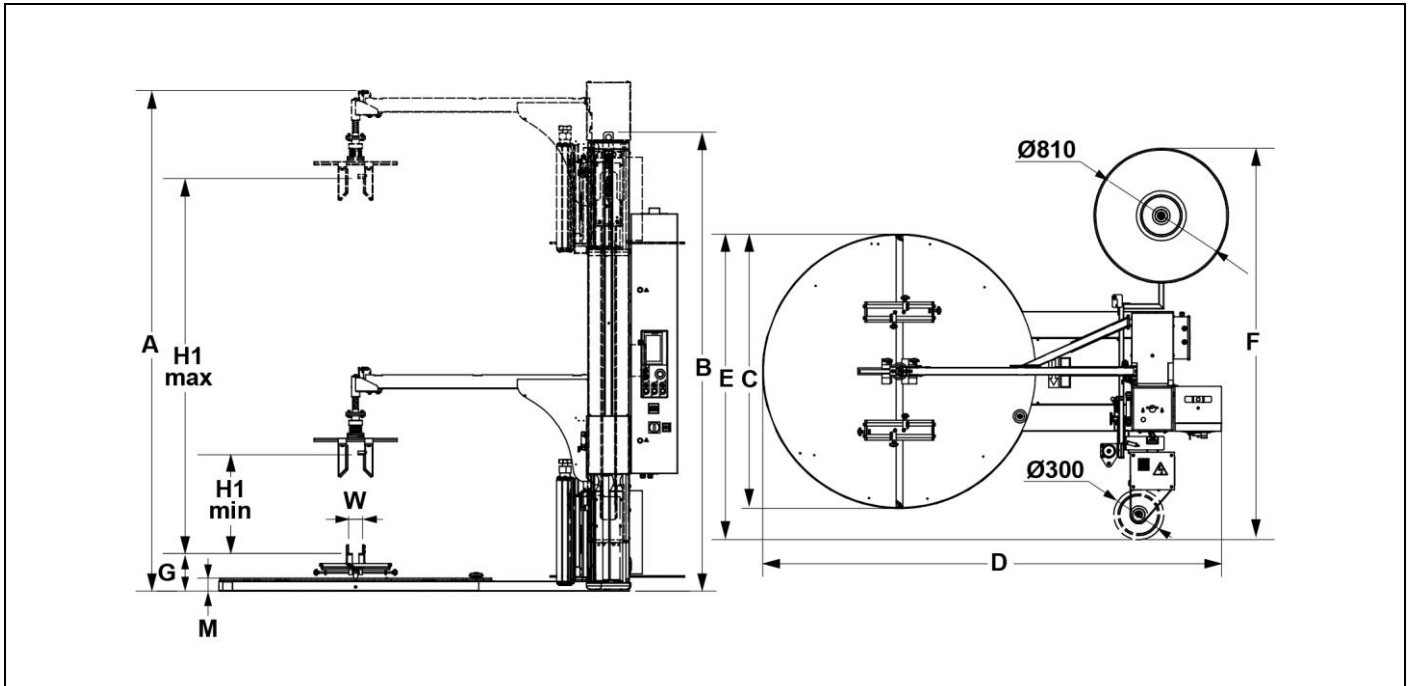
3.10.4. PRESSER TECHNICAL FEATURES

Description		Value
Working pressure		6 (±1) bar (0.6±0.1 MPa)
Pneumatic cylinder with rod	H=2200/2400 2800/3100	Air consumption 11 NI/min

3.11."FREESBY WINDOW 212" TECHNICAL DATA (WITH BUBBLE WRAP MECHANICAL PRESSER)

The illustration and the table include the machine dimensional specifications and technical data.

Machine and load overall dimensions



3.11.1. MACHINE DIMENSIONS

	Standard	Optional	Optional
Shaft H (mm)	2400	2800	3100
A (mm)	3010	3410	3710
Carriage MAX H (mm)	3050	3450	3750
B (mm)	2760	3160	3460
H1 min (mm)	400	400	400
H2 max (mm)	2100	2500	2800
M (mm)	77.5	77.5	-
C (mm)	1650	1800	-
D (mm)	2760	2835	-
E (mm)	1835	1910	-
G (mm)	225	225	-
F (mm)	2353		
W (mm)	380	380	-
Weight (kg)	100	100	-

3.11.2. MACHINE OVERALL DIMENSIONS

	Standard	Optional
Load overall dimensions (mm)	Ø1650	Ø1800

3.11.3. MACHINE TECHNICAL FEATURES

Description		Unit of measurement	EU
Supply voltage		V	220÷240 1Ph 220÷240 3Ph 380÷415 3Ph
Electrical current frequency		Hz	50/60
Installed power		kW	1.9
Table rotation speed	C=1650 C=1800	rpm	5-12 5-11
Carriage upstroke / downstroke speed		m/min.	1.5-5.5
Overall weight		kg	380÷640
Ambient operating temperature		°C	0÷40

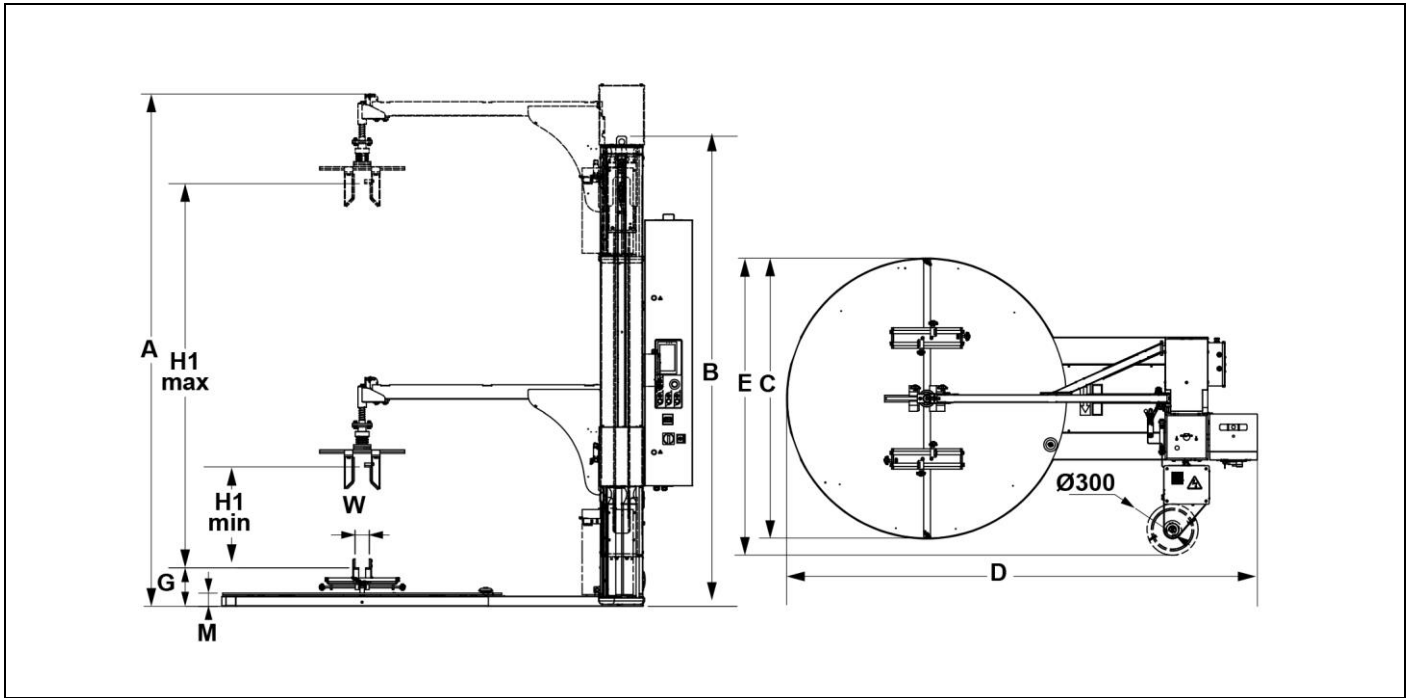
3.11.4. PRESSER TECHNICAL FEATURES

Description		Value
Working pressure		6 (±1) bar (0.6±0.1 MPa)
Pneumatic cylinder with rod	H=2200/2400 2800/3100	Air consumption 11 NI/min

3.12. "FREESBY WINDOW 212" TECHNICAL DATA (WITH MECHANICAL PRESSER)

The illustration and the table include the machine dimensional specifications and technical data.

Machine and load overall dimensions



3.12.1. MACHINE DIMENSIONS

	Standard	Optional	Optional
Shaft H (mm)	2400	2800	3100
A (mm)	3010	3410	3710
Carriage MAX H (mm)	3050	3450	3750
B (mm)	2760	3160	3460
H1 min (mm)	400	400	400
H2 max (mm)	2100	2500	2800
M (mm)	77.5	77.5	-
C (mm)	1650	1800	-
D (mm)	2760	2835	-
E (mm)	1745	1820	-
G (mm)	225	225	-
W (mm)	380	380	-
Weight (kg)	100	100	-

3.12.2. MACHINE OVERALL DIMENSIONS

	Standard	Optional
Load overall dimensions (mm)	Ø1650	Ø1800

3.12.3. MACHINE TECHNICAL FEATURES

Description		Unit of measurement	EU
Supply voltage		V	220÷240 1Ph 220÷240 3Ph 380÷415 3Ph
Electrical current frequency		Hz	50/60
Installed power		kW	1.9
Table rotation speed	C=1650 C=1800	rpm	5-12 5-11
Carriage upstroke / downstroke speed		m/min.	1.5-5.5
Overall weight		kg	380÷640
Ambient operating temperature		°C	0÷40

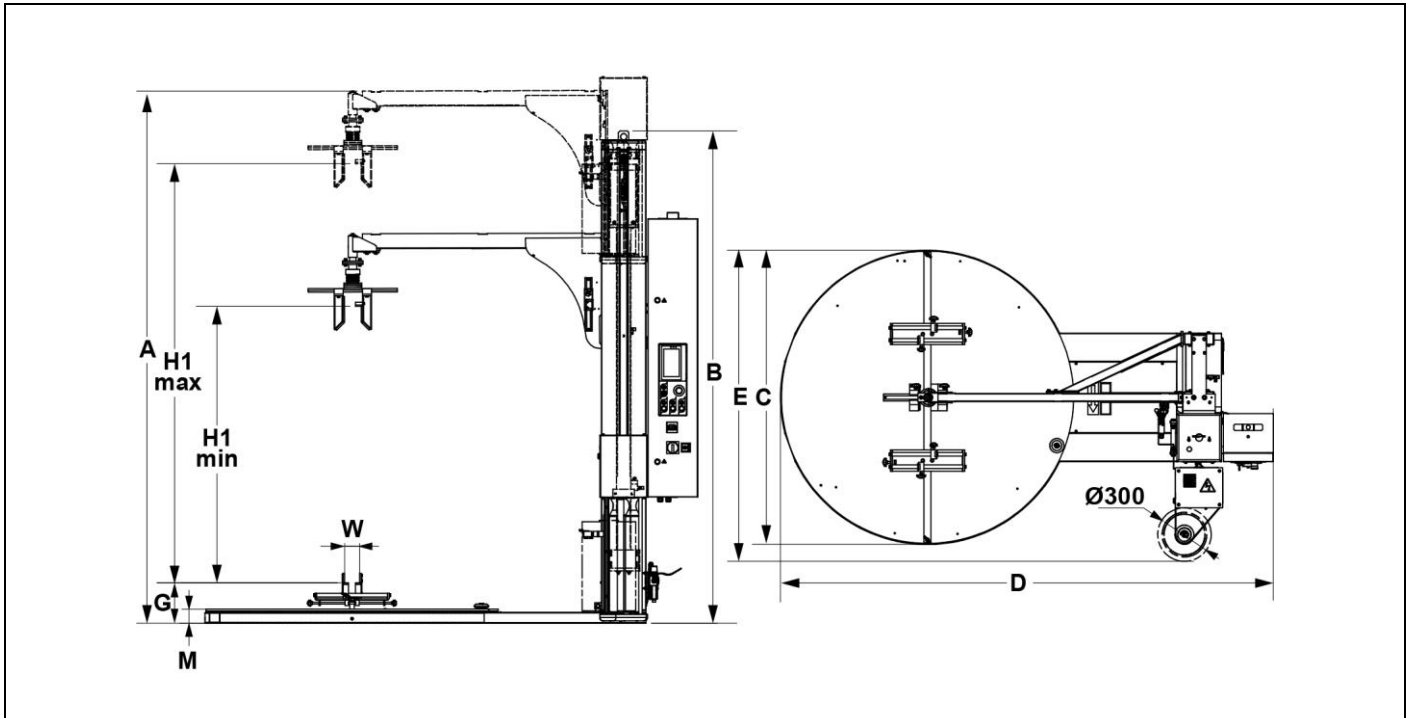
3.12.4. PRESSER TECHNICAL FEATURES

Description		Value
Working pressure		6 (±1) bar (0.6±0.1 MPa)
Pneumatic cylinder with rod	H=2200/2400 2800/3100	Air consumption 11 NI/min

3.13. "FREESBY WINDOW 212" TECHNICAL DATA (WITH PNEUMATIC PRESSER)

The illustration and the table include the machine dimensional specifications and technical data.

Machine and load overall dimensions



3.13.1. MACHINE DIMENSIONS

	Standard	Optional	Optional
Shaft H (mm)	2400	2800	3100
A (mm)	2985	3385	3685
Carriage MAX H (mm)	3050	3450	3750
B (mm)	2760	3160	3460
H1 min (mm)	1050	1050	1050
H2 max (mm)	2100	2500	2800
M (mm)	77.5	77.5	-
C (mm)	1650	1800	-
D (mm)	2760	2835	-
E (mm)	1745	1820	-
G (mm)	225	225	-
W (mm)	380	380	-
Weight (kg)	100	100	-

3.13.2. MACHINE OVERALL DIMENSIONS

	Standard	Optional
Load overall dimensions (mm)	Ø1650	Ø1800

3.13.3. MACHINE TECHNICAL FEATURES

Description		Unit of measurement	EU
Supply voltage		V	220÷240 1Ph 220÷240 3Ph 380÷415 3Ph
Electrical current frequency		Hz	50/60
Installed power		kW	1.9
Table rotation speed	C=1650 C=1800	rpm	5-12 5-11
Carriage upstroke / downstroke speed		m/min.	1.5-5.5
Overall weight		kg	380÷640
Ambient operating temperature		°C	0÷40

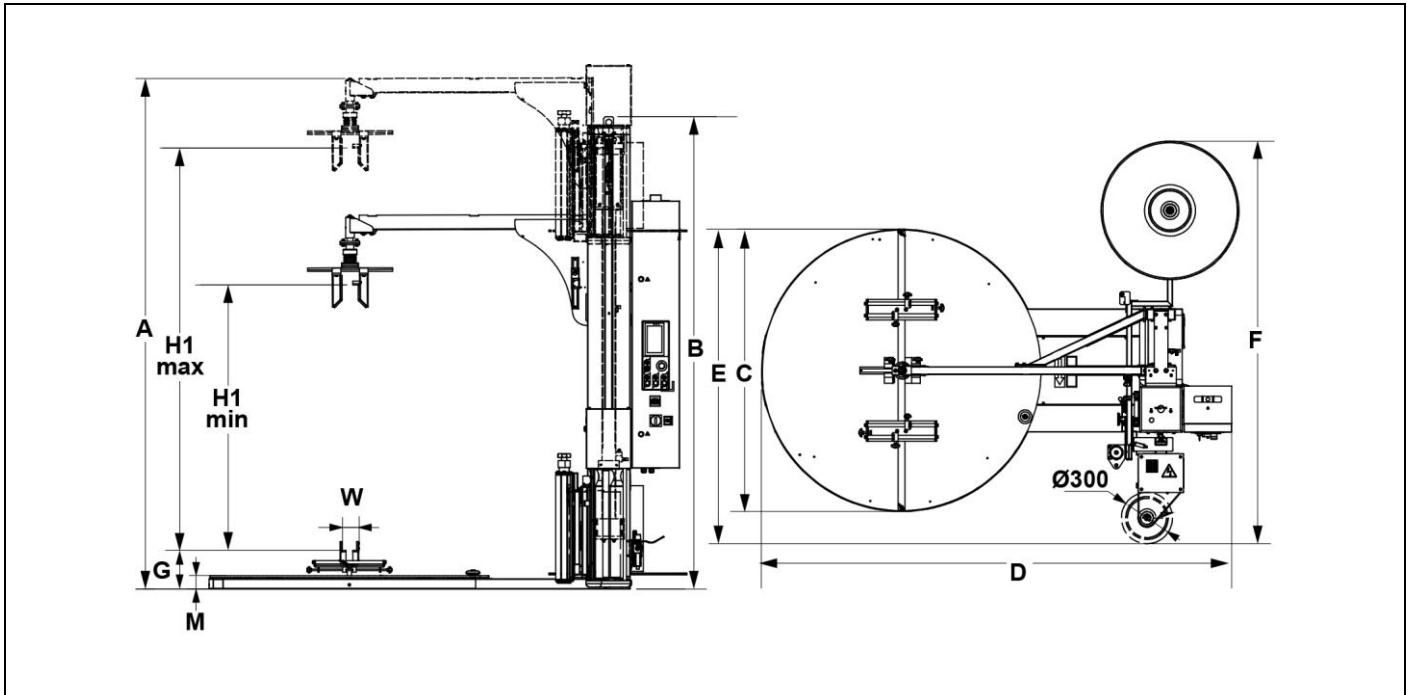
3.13.4. PRESSER TECHNICAL FEATURES

Description		Value
Working pressure		6 (±1) bar (0.6±0.1 MPa)
Pneumatic cylinder with rod	H=2200/2400 2800/3100	Air consumption 11 NI/min

3.14. "FREESBY WINDOW 212" TECHNICAL DATA (WITH BUBBLE WRAP PNEUMATIC PRESSER)

The illustration and the table include the machine dimensional specifications and technical data.

Machine and load overall dimensions



3.14.1. MACHINE DIMENSIONS

	Standard	Optional	Optional
Shaft H (mm)	2400	2800	3100
A (mm)	2985	3385	3685
Carriage MAX H (mm)	3050	3450	3750
B (mm)	2760	3160	3460
H1 min (mm)	1050	1050	1050
H2 max (mm)	2100	2500	2800
M (mm)	77.5	77.5	-
C (mm)	1650	1800	-
D (mm)	2760	2835	-
E (mm)	1835	1910	-
G (mm)	225	225	-
F (mm)	2353		
W (mm)	380	380	-
Weight (kg)	100	100	-

3.14.2. MACHINE OVERALL DIMENSIONS

	Standard	Optional
Load overall dimensions (mm)	Ø1650	Ø1800

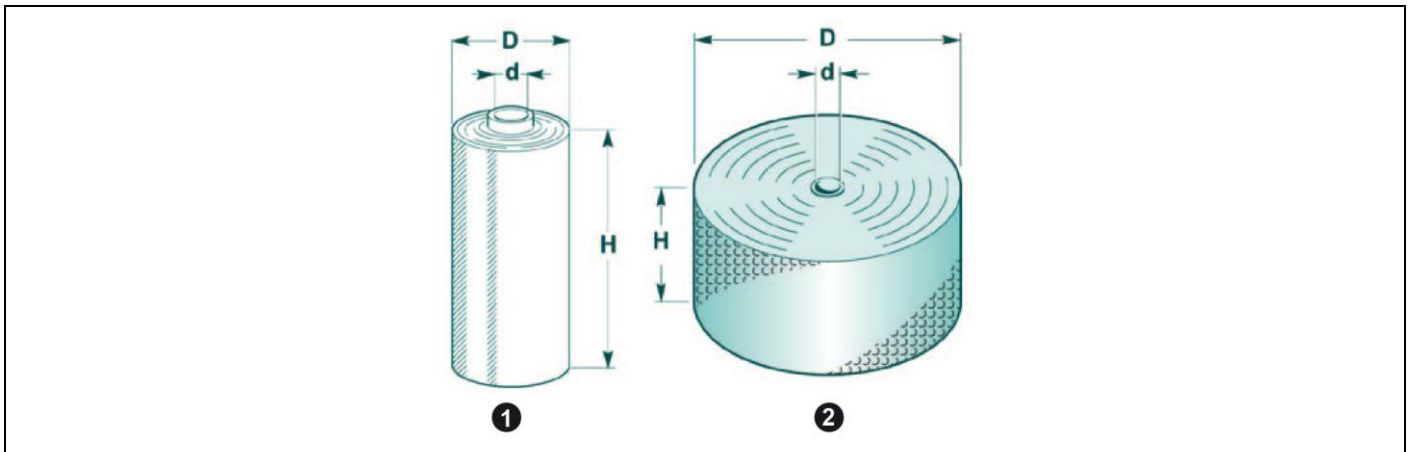
3.14.3. MACHINE TECHNICAL FEATURES

Description		Unit of measurement	EU
Supply voltage		V	220÷240 1Ph 220÷240 3Ph 380÷415 3Ph
Electrical current frequency		Hz	50/60
Installed power		kW	1.9
Table rotation speed	C=1650 C=1800	rpm	5-12 5-11
Carriage upstroke / downstroke speed		m/min.	1.5-5.5
Overall weight		kg	380÷640
Ambient operating temperature		°C	0÷40

3.14.4. PRESSER TECHNICAL FEATURES

Description		Value
Working pressure		6 (±1) bar (0.6±0.1 MPa)
Pneumatic cylinder with rod	H=2200/2400 2800/3100	Air consumption 11 NI/min

3.15.SPOOL FEATURES



Description	Unit of measurement	Value
Film spool dimensions (1)		
Maximum outer diameter (D)	mm	300
Spool height (H)	mm	500
Film thickness	μm	17÷35
Internal diameter (d)	mm	76
Max. weight	kg	20
"Bubble wrap" spool dimensions (2)		
Maximum outer diameter (D)	mm	1000
Spool height (H)	mm	500
Internal diameter (d)	mm	76
Max. weight	kg	12

3.16. NOISE LEVEL

The values relating to airborne noise have been detected in compliance with standards:

- ISO 4871
- ISO 11201

Description	A-weighted emission sound pressure measured level at the operator's position (LpA)
Operation in working conditions.	69.3 dB (A)



Caution - warning

Prolonged exposure above **80 dB (A)** can be harmful.



The use of appropriate protection systems is recommended (earmuffs, ear plugs, etc.).

3.17. INSTALLATION ENVIRONMENT CHARACTERISTICS

The place where the machine is to be installed must be carefully selected taking into account the environment conditions in order to have correct and risk-free operating conditions.

Therefore we suggest to take into account the following prerequisites:

- An appropriate ambient temperature (see "Technical data").
- A perimeter area that must be left around the immediate working area, also for safety reasons (see "Perimeter areas").
- A flat surface, steady and without vibrations with adequate load bearing capacity, considering also the weight of palletised loads.
- The area must feature suitable sockets for compressed air and power distribution.



Danger - warning

Using this machine in explosive environments or when exposed to atmospheric agents is strictly forbidden.

4. INFORMATION ON HANDLING AND INSTALLATION

4.1. RECOMMENDATIONS FOR HANDLING AND LOADING

- Before performing any operation, the authorised operator must make sure to have understood the "Instructions for use".
- Carefully read the "Instructions for use" specified in the manual and those applied directly to the machine and/or the package.
- Provide suitable safety conditions in compliance with the regulations on workplace safety to prevent and minimise the risks.
- Pay attention to the safety warnings, do not misuse the machine and assess the possible residual risks.

4.2. PACKING AND UNPACKING

The packing is realised, keeping the overall dimensions limited, also in consideration of the transport chosen. To facilitate transport, shipping can be performed with some components disassembled and appropriately protected and packaged.

Some parts, especially electrical equipment, are protected with anti-moisture nylon covers.

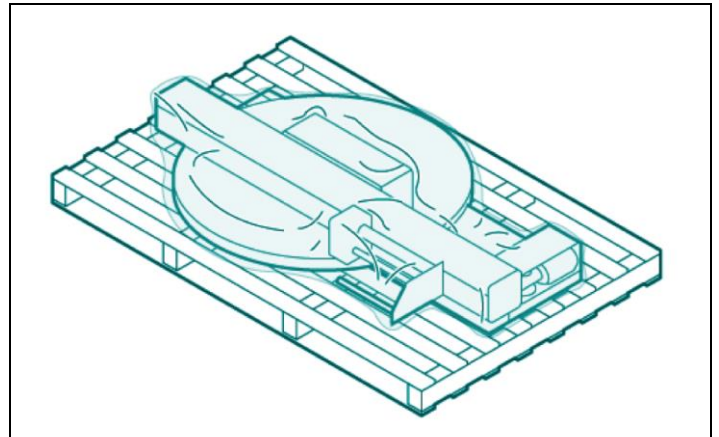
The packages bear all necessary information for loading and unloading.

When unpacking, check the integrity and exact quantity of the components.

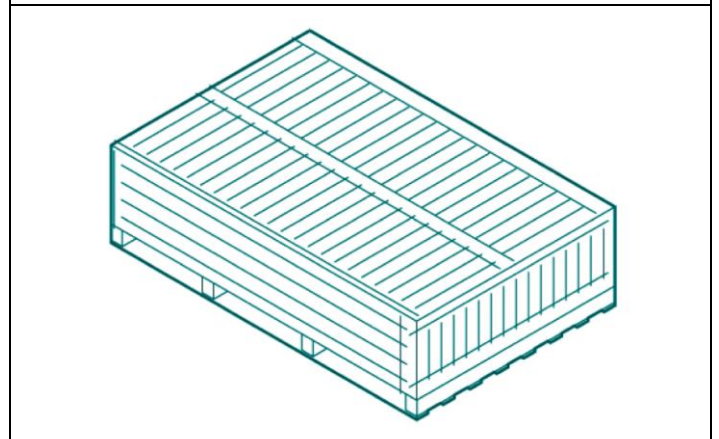
Packaging material should be appropriately disposed of according to the laws in force.

The illustrations show the common types of packaging used.

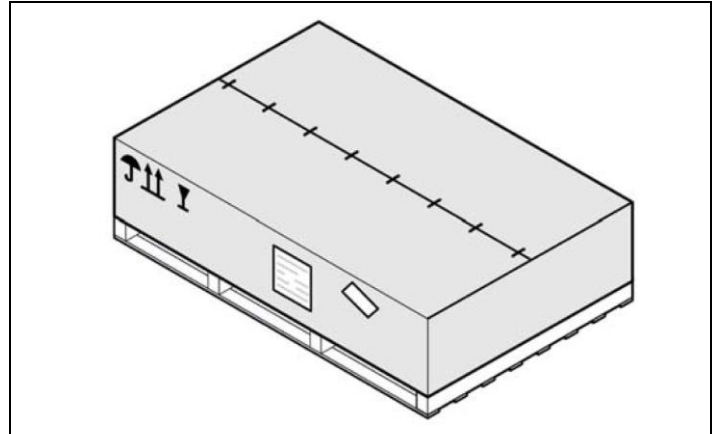
Package on pallet with nylon protection



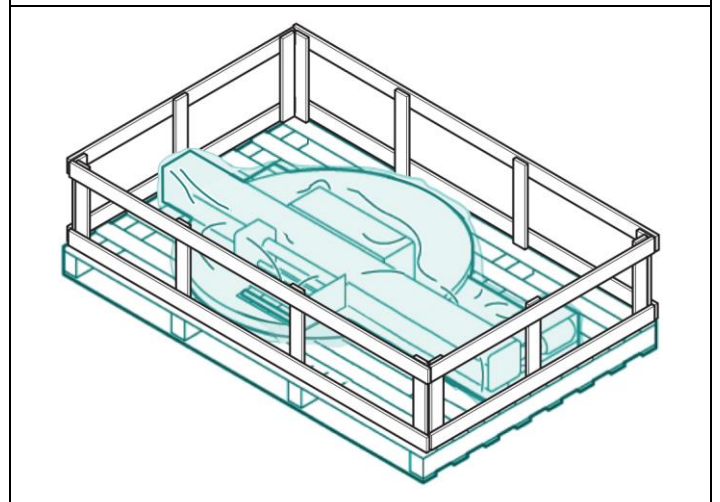
Package in crate



Package with cardboard box



Package in cage



4.3. TRANSPORT AND HANDLING

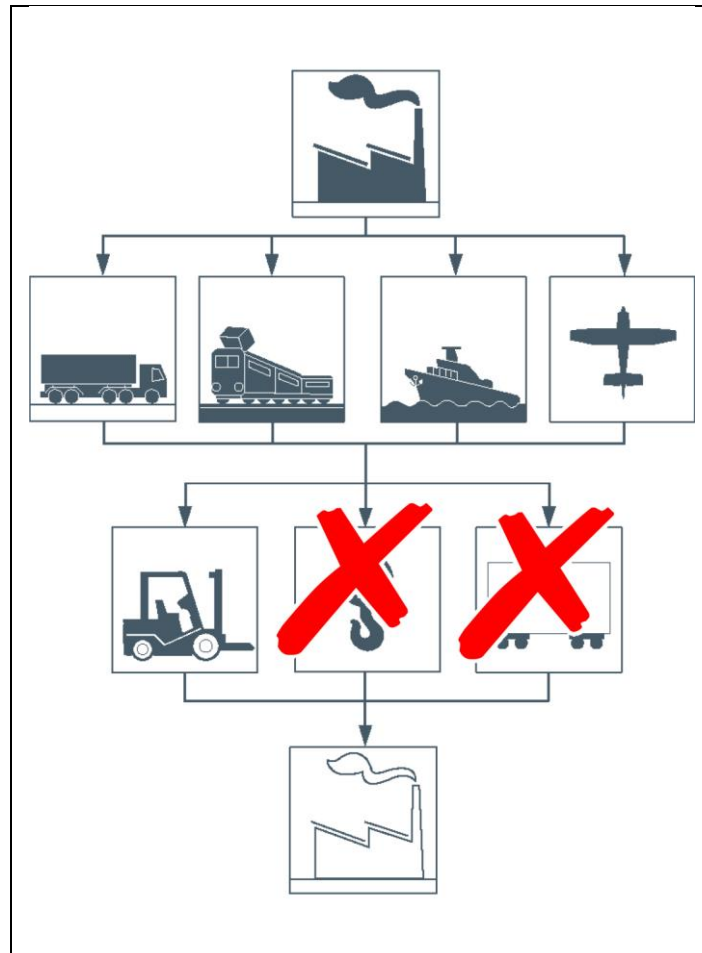
Transport, also according to the destination, can be performed with different vehicles.
The diagram represents the most used solutions.

During transport, in order to avoid sudden movements, adequately anchor the machine to the vehicle.



Important

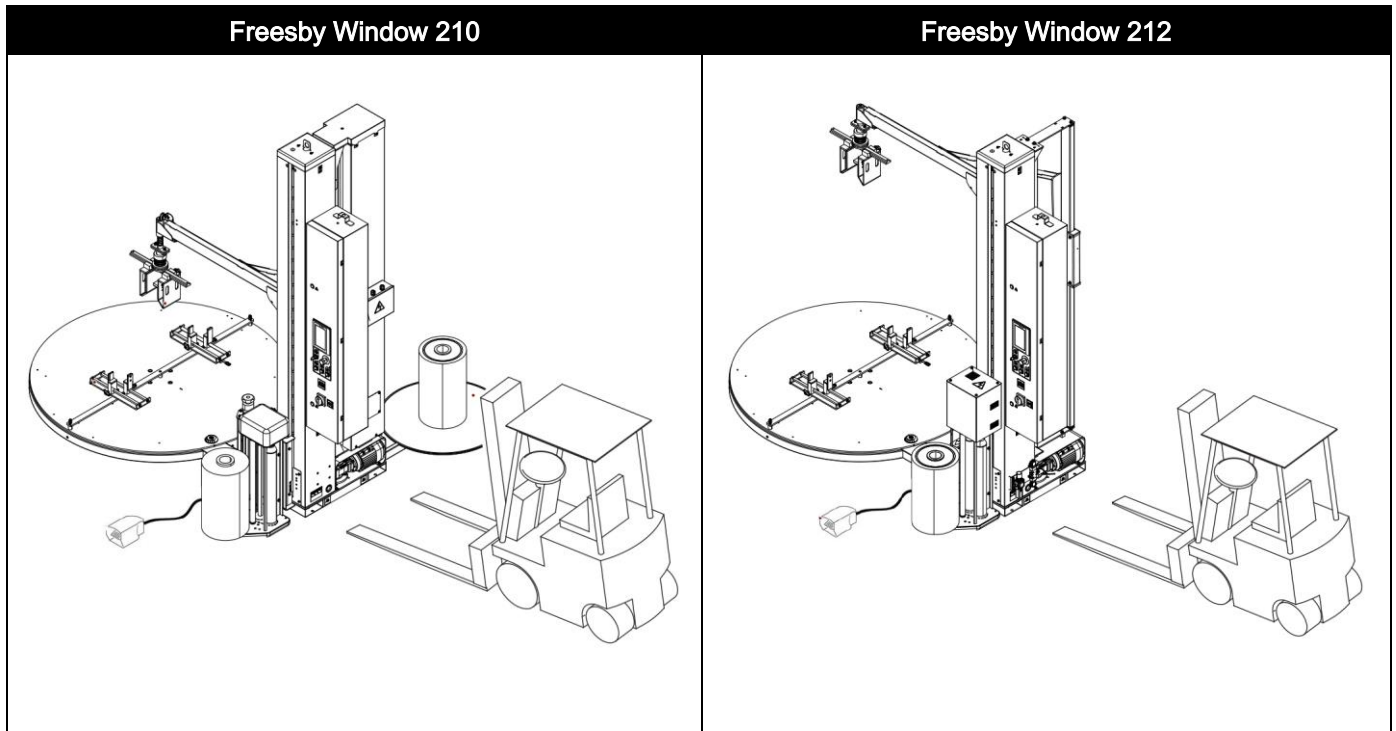
For further transportations, recreate the initial packaging conditions for transport and handling.



4.4. HANDLING AND LIFTING

The machine can be moved with a forklift truck with suitable load capacity by inserting the forks in the points indicated directly on the machine.

Transport and lifting means must be operated by personnel authorised and qualified for the use of such means.



4.5. INSTALLATION OF THE MACHINE

The machine must be installed in an area which fulfils the requirements indicated in paragraph "Installation environment characteristics".

If necessary, identify the exact position by plotting the coordinates for correct positioning.



Danger - warning

Authorised technical service personnel must perform installation and assembly operations.

Proceed as follows:

1. Insert the forklift truck forks in the specially designed spaces provided in the base.
2. Lift the machine from the pallet (if any).



Danger - warning

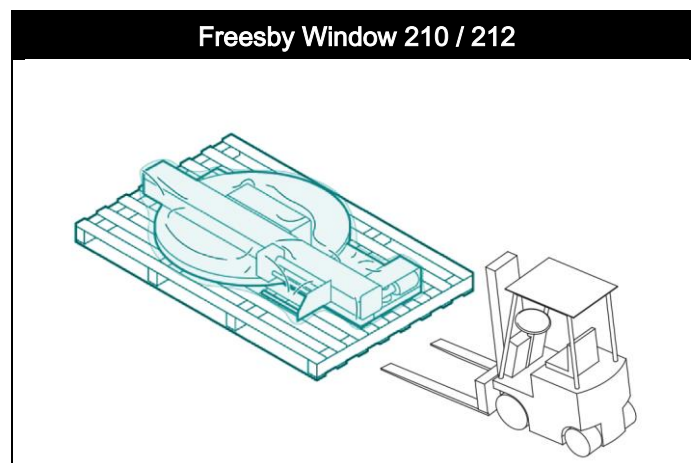
To perform the operation in safety conditions, insert some wooden blocks under the forks of the forklift truck and place everything on the floor.

3. Place the machine in the area assigned for assembly.



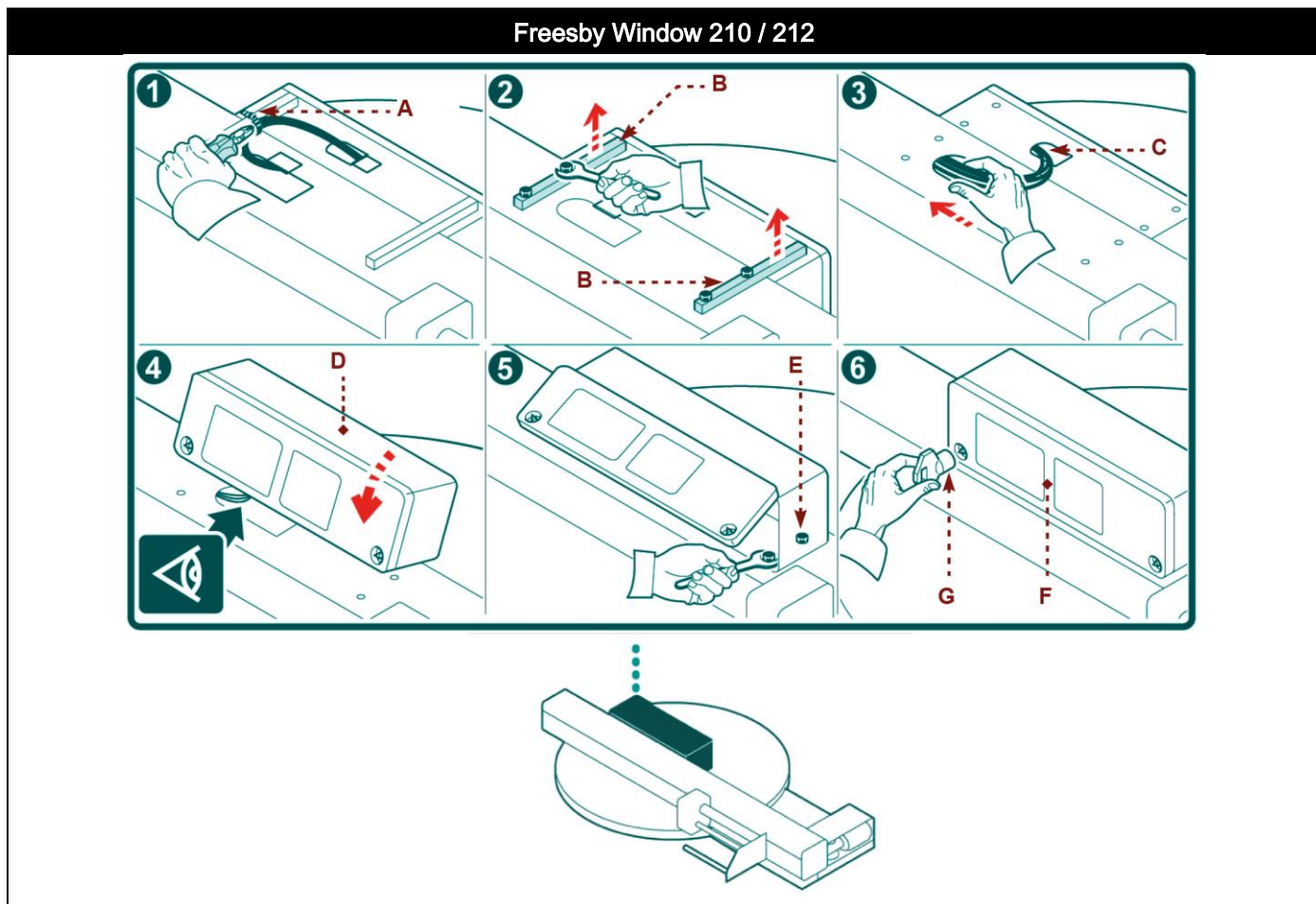
Important

The resting surface must be smooth and well levelled.



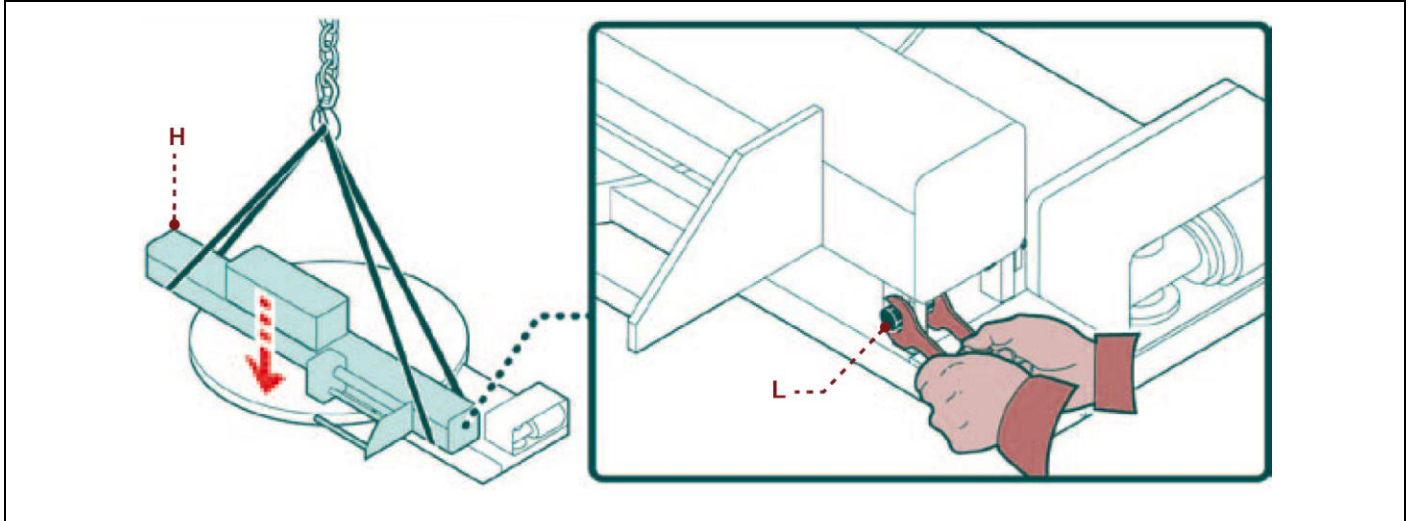
4.5.1. ELECTRIC BOX ASSEMBLY

1. Cut the tie (A) which gathers the electric cables.
2. Remove the mounting brackets (B).
3. Route the electric cables (C) inside the slide shaft.
4. Lift the electric box (D).
5. Fasten the electric box to the slide shaft with the screws (E).
6. Close the cover (F) of the electric box (D) with the suitable key (G).

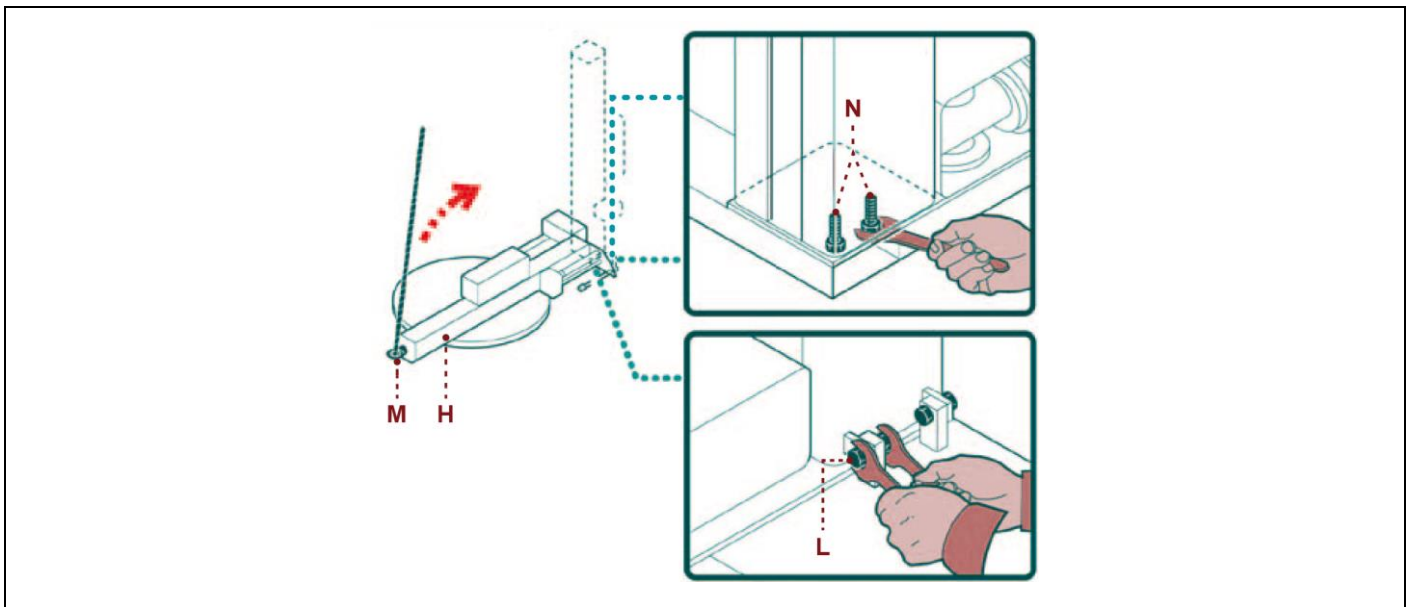


4.5.2. SLIDE SHAFT ASSEMBLY

1. In certain configurations it is necessary to lift and position the slide shaft (H) above the rotary table, in correspondence with the hinge.
2. Insert the screws (L) into the hinge without tightening them.
(For slide shaft with height 2800-3100mm only).



3. Connect the lifting device hook in the bracket (M) of the slide shaft and tension.
(For slide shaft with height 2200-2400mm only).
4. Lift the slide shaft (H).
5. Fasten the slide shaft to the machine body with the screws (N).
6. Tighten the screws of the hinge (L).



4.5.3. PNEUMATIC PRESSER ASSEMBLY

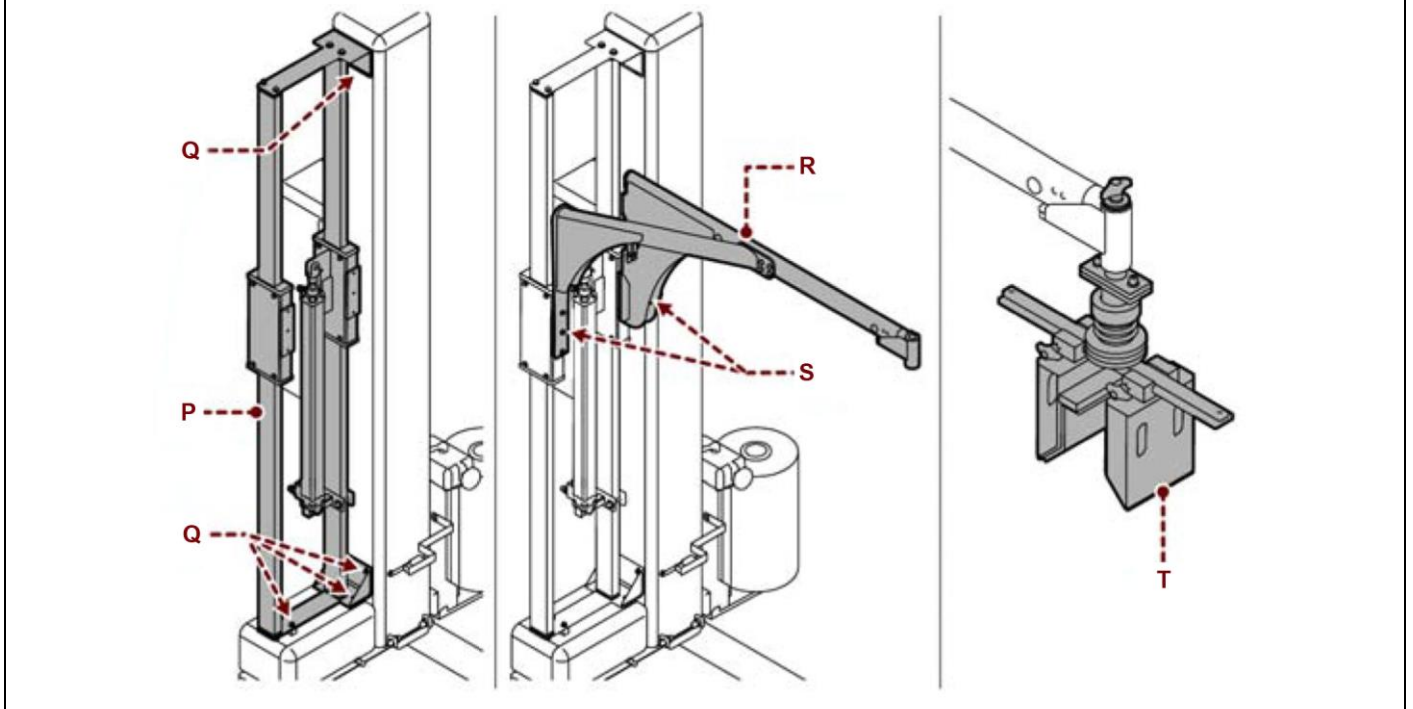
1. Fasten the guide (P) to the slide shaft with the suitable screws (Q).
2. Fit the arm (R) on the guide and fasten it with the screws (S).
3. Fit the clamping grippers (T) to the arm.



Important

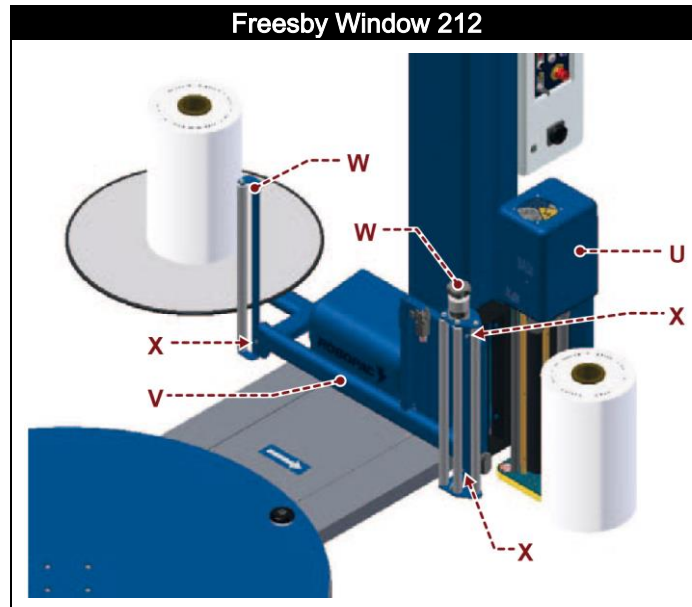
The pneumatic connections have already been performed by the Manufacturer if the presser is delivered with the machine.

Freesby Window 210 / 212



4.5.4. "BUBBLE WRAP" KIT ASSEMBLY (OPTIONAL)

1. Remove the spool carriage (U).
2. Fit the frame (V) on the slide shaft.
3. Fit the rollers (W) on the frame (V) with the suitable screws (X).
4. Fit the spool carriage on the frame (V).



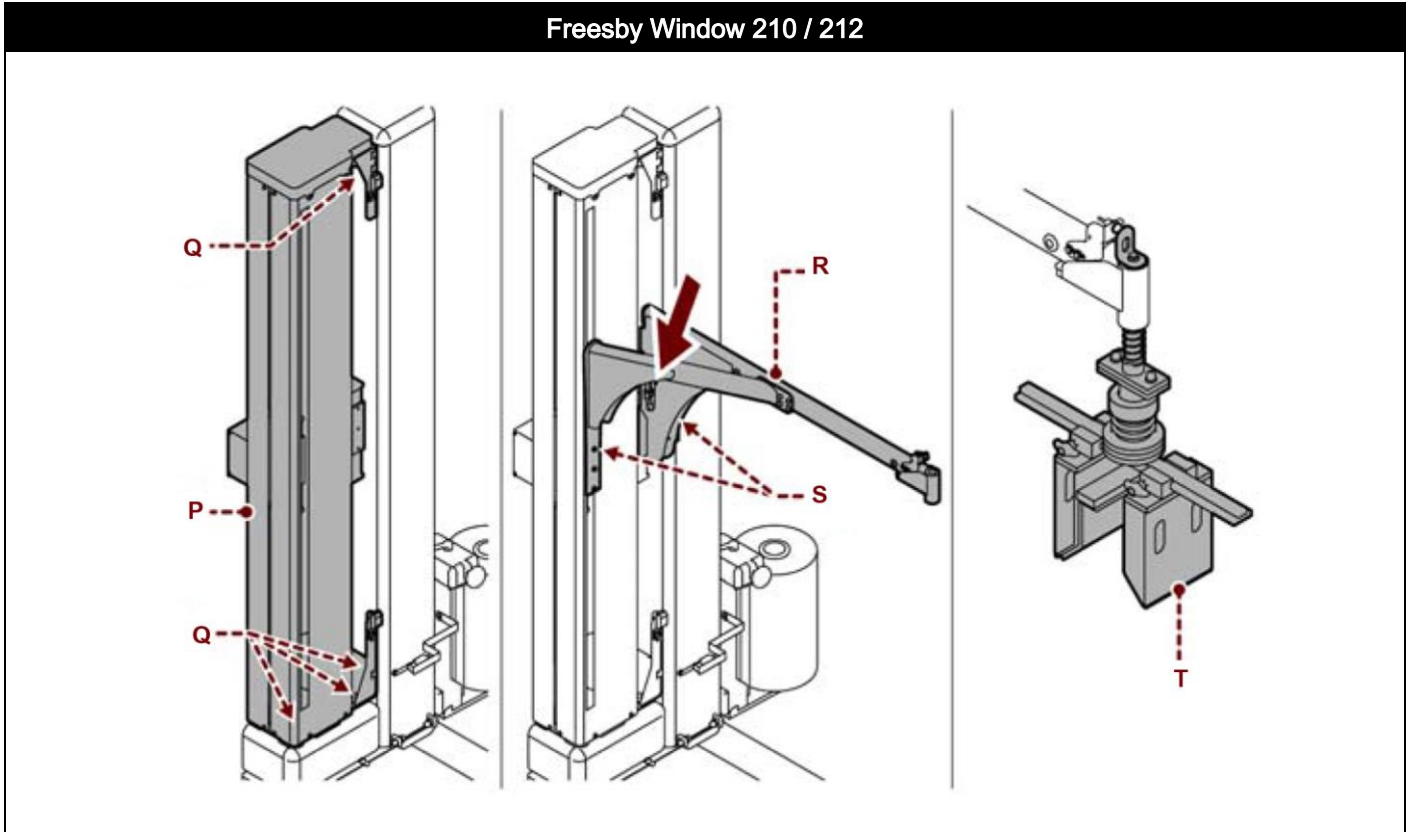
4.5.5. MECHANICAL PRESSER ASSEMBLY (OPTIONAL)

1. Fasten the guide (P) to the slide shaft with the suitable screws (Q).
2. Fit the arm (R) on the guide and fasten it with the screws (S).
3. Fit the clamping grippers (T) to the arm.

**Important**

The connections have already been performed by the Manufacturer if the presser is delivered with the machine.

Freesby Window 210 / 212



4.6. MACHINE FIXING

Once the units have been assembled and levels, squaring, parallelism and orthogonality have been checked, it is necessary to fix the machine body to the floor.

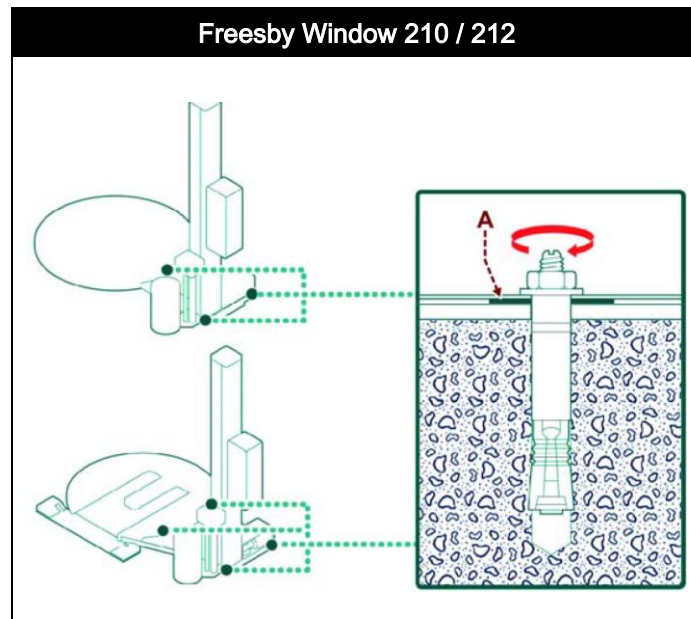
Depending on the floor type, it may be necessary, before laying the machine, to lay foundations in correspondence of the various supporting legs.

Laying the foundations and fixing the machine is essential to ensuring the machine stability and functionality.



Important

Should it be necessary, insert metal plates (A) between the screws and the floor.



4.7. RECOMMENDATIONS FOR CONNECTIONS



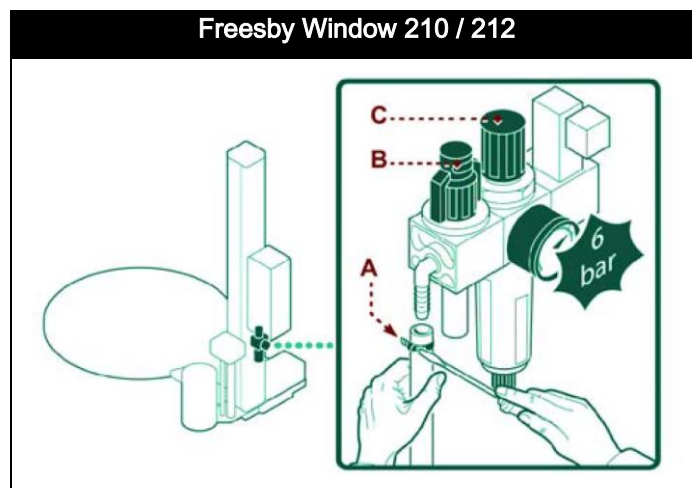
Important

The connections must be made in accordance with the specifications supplied by the Manufacturer in the enclosed diagrams. The person authorised to carry out said operation must have the skills and experience acquired and acknowledged in the specific sector, must perform the connection in accordance with the best practice and take into account all the regulatory and legislative requirements. Once the connection has been completed, before commissioning the machinery, it is necessary to perform an overall check to verify if said requirements have been complied with.

4.8. PNEUMATIC CONNECTION

1. Insert a flexible hose in the end of the hose barb fitting and fasten it with a metallic screw clamp (A).
2. Check that the valve (B) is in the "OPEN" position.
3. Activate the supply line pressure.
4. Check that the pressure gauge indicates at least **6 bar** and use the knob (C) to compensate any pressure difference.

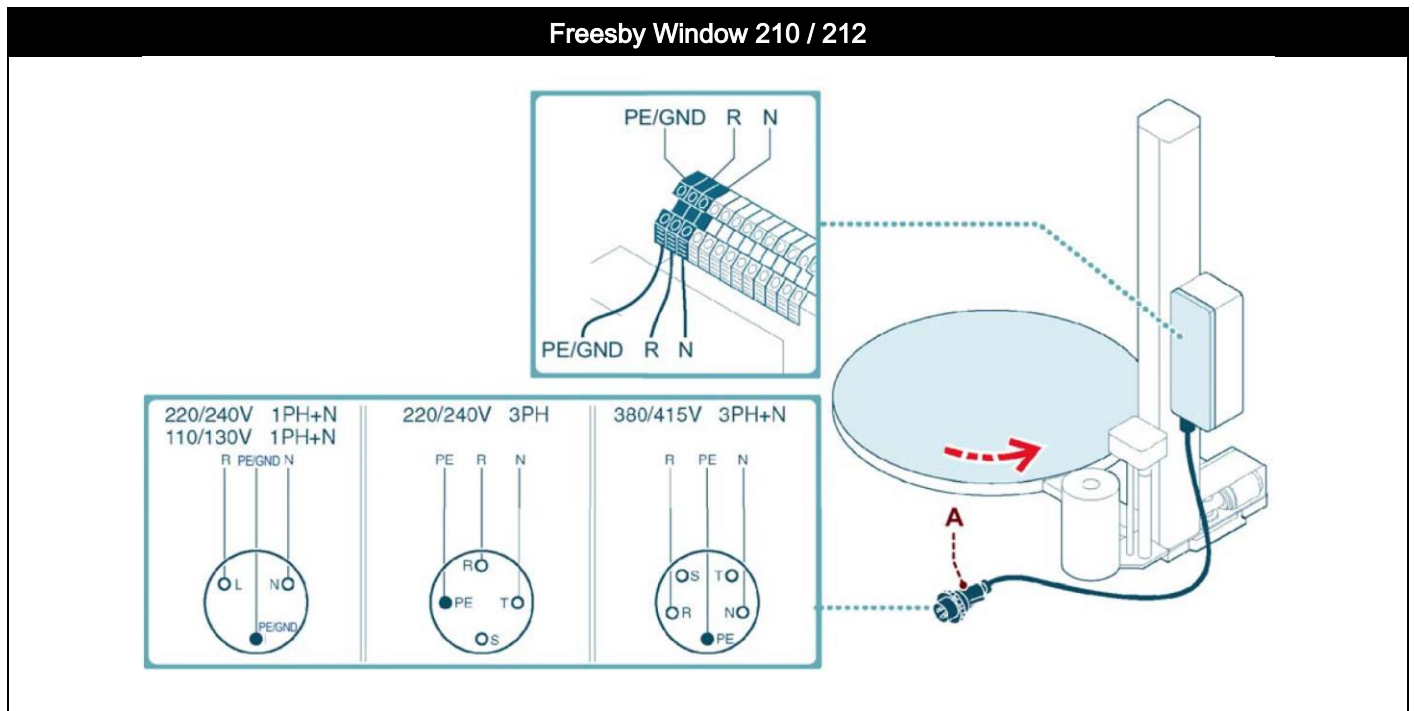
Repeat this operation when the machine is running.



4.9. ELECTRICAL CONNECTION

Proceed as follows for the electrical connection.

1. Check that the line voltage (V) and frequency (Hz) correspond to those of the machine (See identification plate and wiring diagram).
2. Turn main switch to pos. **0 (OFF)**.
3. Connect the power cable (if supplied) to the socket (A), as shown in the figure, in accordance with the mains supply.
4. The earth wire (yellow-green) must be connected to its earth terminal **PE**.
5. Power the machine using the main switch.
6. Press the "Reset" button.
7. When the "Start" button is pressed, the plate should turn anticlockwise.



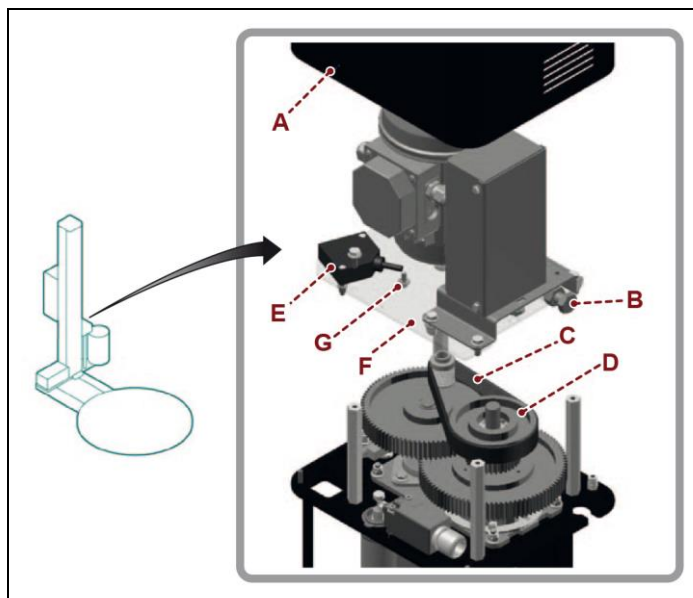
5. INFORMATION ON ADJUSTMENTS

5.1. RECOMMENDATIONS FOR ADJUSTMENTS

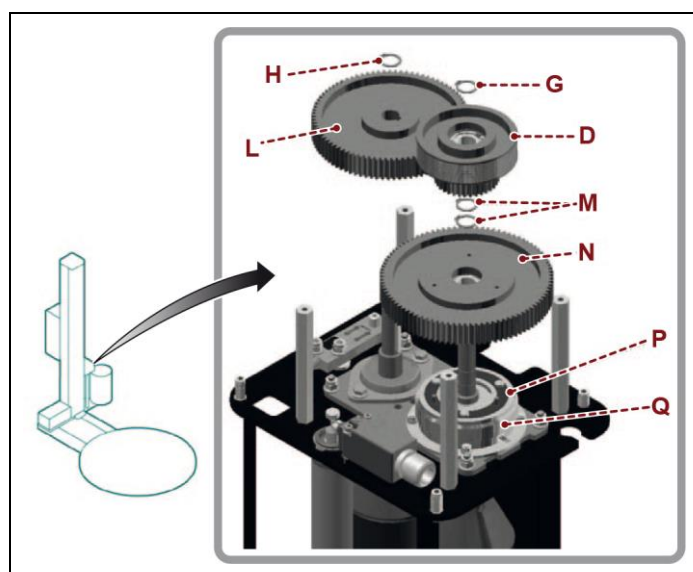
- Before performing any operation, the authorised operator must make sure to have understood the "Instructions for use".
- Activate all the safety devices provided, stop the machine and assess whether there is any residual energy before carrying out the operations.
- Provide suitable safety conditions in compliance with the regulations on workplace safety to prevent and minimise the risks.
- Pay attention to the safety warnings, do not misuse the machine and assess the possible residual risks.

5.1.1. SPOOL CARRIAGES OF "212" TYPE (PRE-STRETCH GEAR REPLACEMENT)

1. Stop the machine in safety conditions.
2. Remove the guard (A).
3. Slacken the belt (C) using the tensioner (B).
4. Slide the belt out of the pulley (D).
5. Loosen the screws (E).
6. Remove the plate (F) with motor and bearings.



7. Remove the retaining ring (G).
8. Remove the pulley (D).
9. Remove the retaining ring (H).
10. Remove the gear (L).
11. Remove the retaining ring (M).
12. Remove the gear (N).
13. Loosen the screws and remove the disc (P) from the gear (N).
14. Select the set of gears (L-N) relating to the concerned pre-stretch rate (see table).



The table indicates the pre-stretch values which can be obtained with the relevant transmission gear set.



Important

Set the pre-stretch according to the film resistance and quality in order to obtain a low consumption.

Pre-stretch percentage	Gear code (L)	No. of gear teeth (L)	Gear code (N)	No. of gear teeth (N)
150%	2540300068	34	2540300070	85
200%	2540300003	29	2540300002	90
250%	2540300165	25	2540300164	94
300%	2540300027	24	2540300028	95

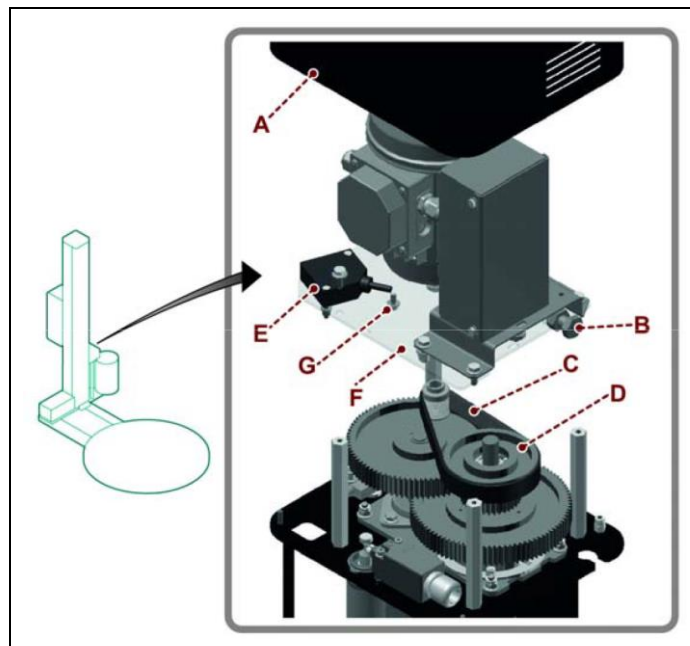
15. Fit the disc (P) and correctly fasten it to the gear (Q) of the new transmission ratio.
16. Fit the gear (N) of the new transmission gear set.
17. Position the gear with the disc side (P) coupled with the clutch (Q).
18. Fit the retaining ring (M).
19. Fit the gear (L) of the new transmission gear set.
20. Fit the retaining ring (H).
21. Fit the pulley (D).
22. Fit the retaining ring (G).



Important

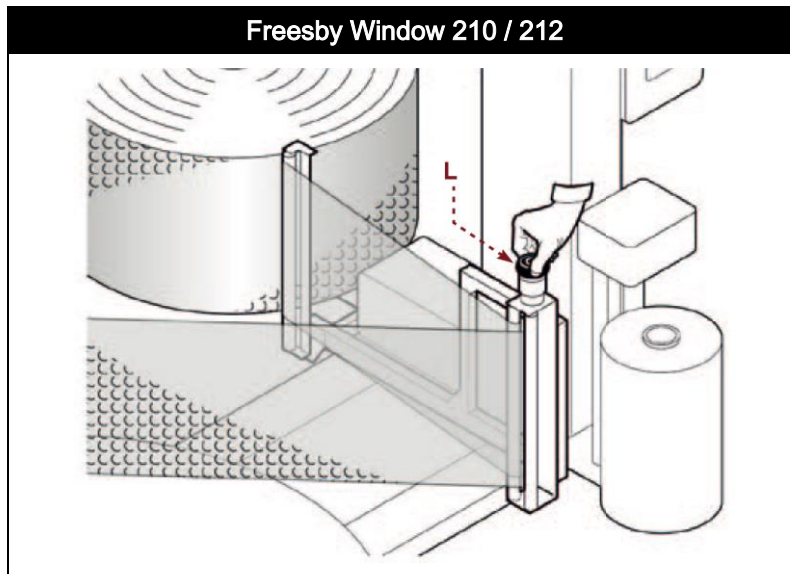
During reassembly phases, make sure that coupling tabs are correctly inserted.

23. Rest the plate (F) on the stud bolts, paying attention to fit the belt (C) on the pulley (D).
24. Tighten the screws (E).
25. Tension the belt (C) using the tensioner (B).
26. Manually turn the pre-stretching rollers in both directions to correctly seat the coupling between belt and pulleys.
27. Check the belt tensioning again and properly adjust it if necessary.
28. Refit the guard (A) when finished.



5.4. "BUBBLE WRAP" SPOOL BRAKING ADJUSTMENT

1. To tension the film correctly, work on the handwheel (L) which adjusts the spool braking.



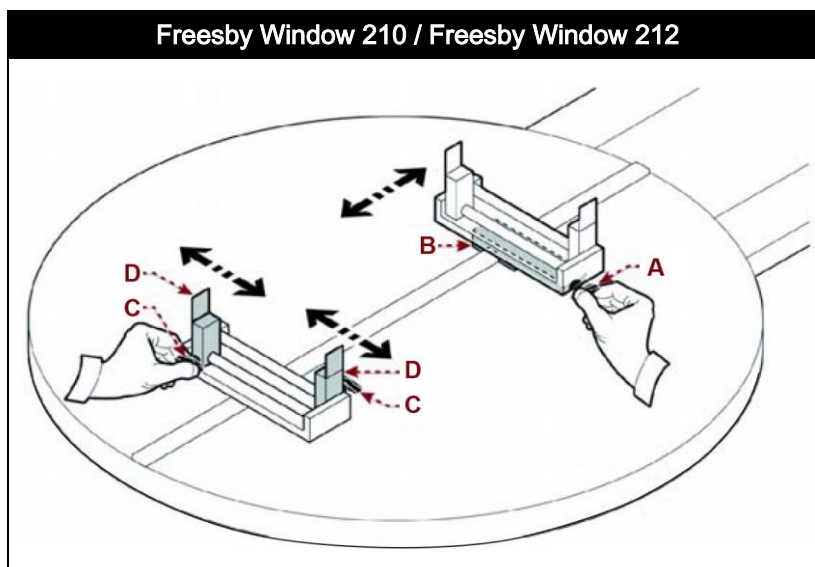
5.5. GRIPPERS ADJUSTMENT

5.5.1. ROTARY TABLE GRIPPERS

1. Loosen handles (A).
2. Move supports (B) to the desired position.
3. Tighten handles (A).

Adjustment according to the product thickness

1. Loosen handles (C).
2. Move grippers (D) to the desired position.
3. Tighten handles (C).



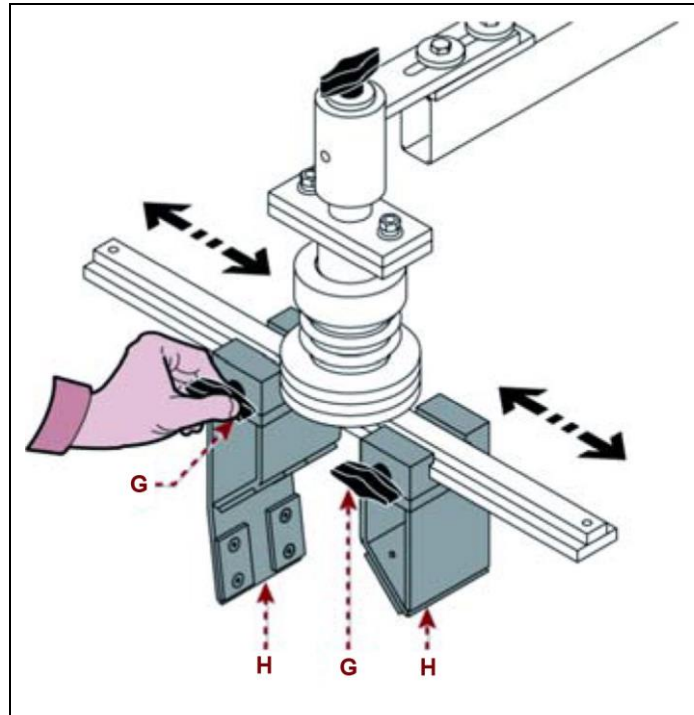
5.5.2. PRESSER GRIPPERS

1. Loosen screws (E).
2. Loosen handles (G).
3. Move grippers (H) to the desired position.
4. Tighten handles (G).



Important

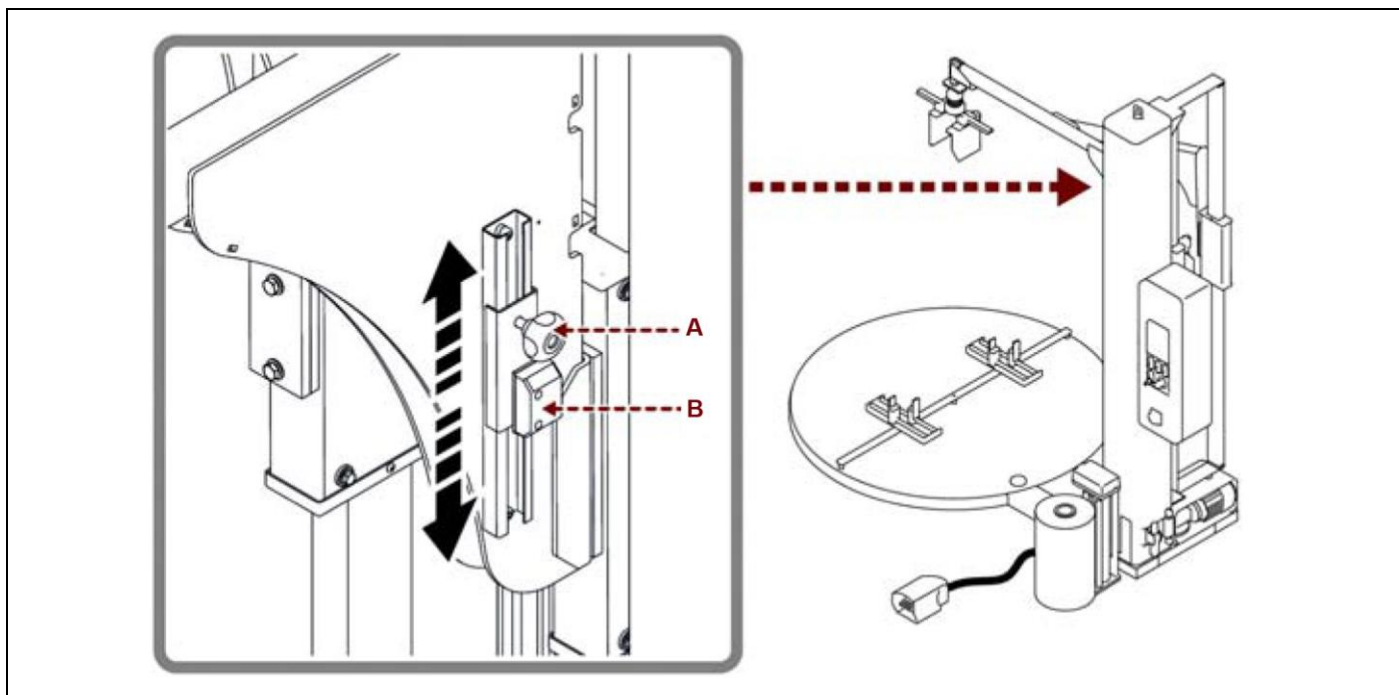
Adjust the positions of the grippers so that the product to be wrapped is as centred as possible with rotary table.



5.6. ADJUSTMENT OF CAM FOR FILM WRAPPING HEIGHT

Adjustment of the position of the microswitch stop cam that determines the film wrapping height.

1. Loosen handwheel (A).
2. Move cam (B).
3. Fix the position by tightening handwheel (A).



6. INFORMATION ABOUT THE USE

6.1. RECOMMENDATIONS FOR OPERATION AND USE

- When using the machine for the first time, the operator must read the manual and identify the control functions and simulate some operations, especially machine start and stop.
- Make sure that all safety devices are properly installed and efficient.
- Only carry out the operations foreseen by the Manufacturer and do not tamper with any device to obtain different performance levels.
- Daily, before each use of the machine, check that it stops by pressing the emergency button to trigger the bumper.



Caution - warning

Bumper can be triggered by placing an obstacle in front of the machine at a distance of approximately 20 cm.



Important

The frequency of the accidents derived from machine use depends on many factors that cannot always be foreseen and controlled.

Some accidents may be caused by unpredictable environmental factors, others are mainly due to users' behaviours.

On first use, and if required, in addition to being authorised and appropriately informed, the personnel must simulate some manoeuvres to identify the main controls and functions.

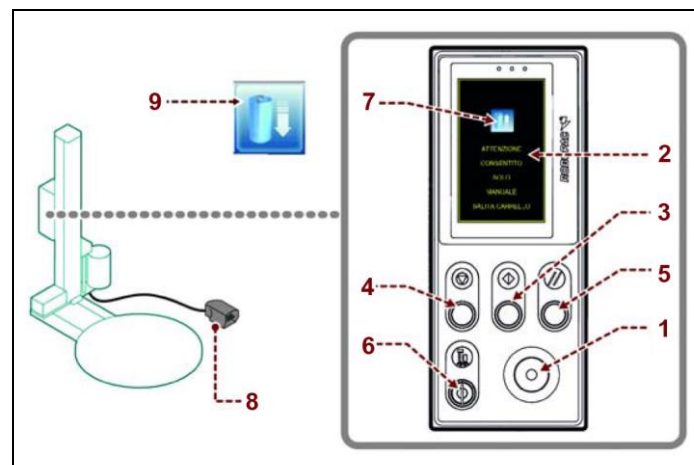
Only carry out the operations foreseen by the Manufacturer and do not tamper with any device to obtain different performance levels.

Make sure the safety devices are properly installed and efficient before use.

Users, besides complying with these requirements, must apply all the safety regulations and carefully read the descriptions of the controls and commissioning.

6.2. DESCRIPTION OF THE CONTROLS

- 1) **Emergency stop button:**
it is used in case of imminent risk to stop, with a voluntary action, the machine parts which may pose a risk.
For further details, see the paragraph “description of safety devices”.
- 2) **User interface:**
it is used to set or modify the machine operating parameters.
For more details, see the paragraph “Description of user interface”.
- 3) **“Cycle start” button:**
it is used to start the wrapping automatic cycle.
- 4) **“Cycle stop” button:**
it is used to stop the wrapping automatic cycle.
If pressed during the carriage downstroke, activated by the key (9) on the home page, it stops its stroke.
- 5) **“Reset” button:**
it is used to reset the machine before restarting it after an emergency stop or after a shut-down due to the disconnection of the power supply.
- 6) **Emergency override key-operated switch:**
it is used to temporarily bypass the carriage emergency.
When the key is turned to position I (hold to run), the user interface screen will display the page “safety device override” and this allows, by pressing the button (7), to lift only the carriage.
- 8) **Foot control:**
it is used to lower and raise the presser with gripper to clamp the upper part of the product to wrap.



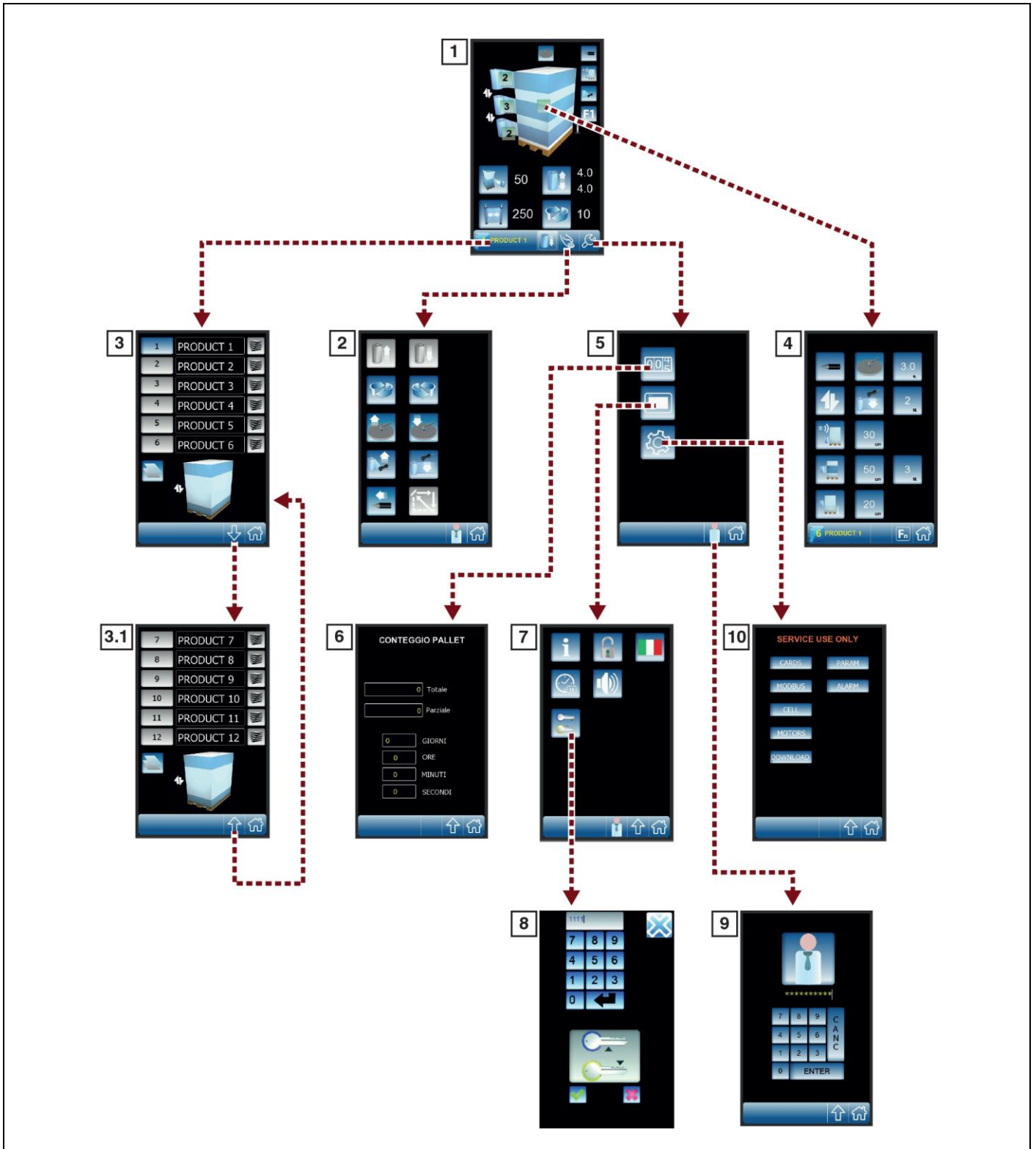
6.3. DESCRIPTION OF USER INTERFACE

The user interface is equipped with an active matrix “touch screen” colour display. To view the different functions, just “touch with a finger” the display areas.

The figure shows the functional logic diagram of the “navigation” modes. There is a control for the automatic packaging cycle: STANDARD CONTROL.

No.	Name	Description of the function
1	“Home” page	The page is displayed upon the activation of the reset control. The page displays the wrapping values currently in use and grants access to the other pages.
2	“Manual handling” page	The page displays the controls to activate the handling of functions in “manual mode”.
3 – 3.1	“RECIPES” page	The page displays the controls to activate the concerned recipe.
4	“Wrapping cycle” page	The page displays the controls to activate the wrapping cycle
5	“General parameters” page	The page displays the controls to program the machine set-up parameters
6	“Production counters (pallets)” page	The page displays the controls to check the quantity (partial and total) of the pallets made
7	“(H.M.I.) enabling” page	The page displays the controls to customise the user interface operating mode
8	“Change password” page	The page displays the controls to change the password to access protected functions
9	“Enter password (user login)” page	The page displays the controls to enter the password (relating to the selected user) to access the protected functions.
10	“Service” page	The page is reserved to the Manufacturer’s Service support only, to perform diagnostics and basic programming.

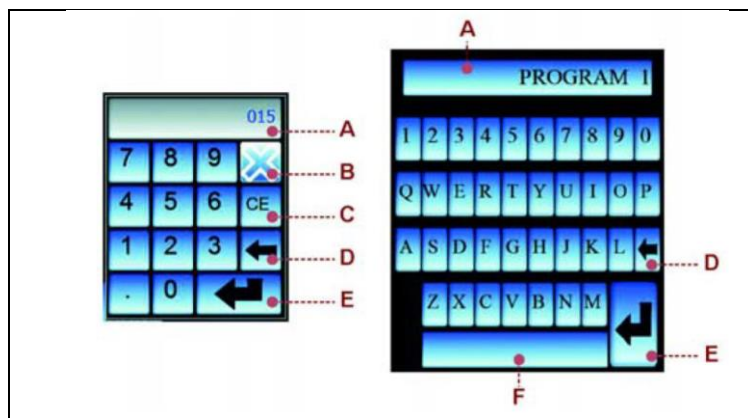
For details on the listed pages, see the description in the specific paragraph.



6.3.1. NUMERICAL AND ALPHANUMERICAL KEYBOARD

Some values, displayed in the areas of each single page, can be properly programmed. The keyboard is displayed each time that an editable or programmable area is pressed. After entering the characters (numerical or alphabetical), press the button to confirm. The new value will appear in the selected area.

No.	Name	Description of the function
A	Display area	The area displays the numerical and alphabetical characters entered
B	Button	Activating the control will close the page and the values entered will not be saved.
C	Button	Activating the control will delete the selected character
D	Button	Activating the control will delete one character at a time (starting from the last one on the right).
E	Button	Activating the control will save the value or the text entered
F	Button	Activating the control will perform the functions of the "space bar"



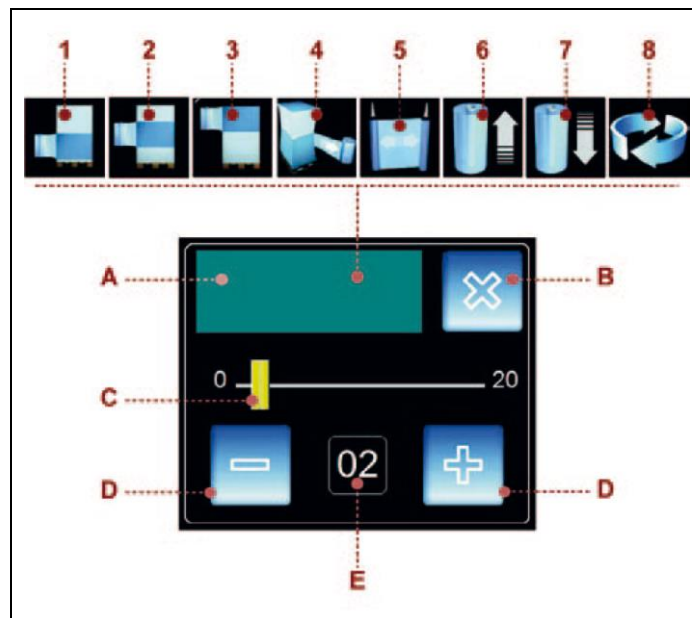
6.3.2. PROGRAMMING WINDOW

The window is displayed each time that an editable or programmable area is pressed.

- A) Area: it displays the icon corresponding to the concerned parameter to be programmed.
The figure shows a typical example of window and the table includes the description of the icons.

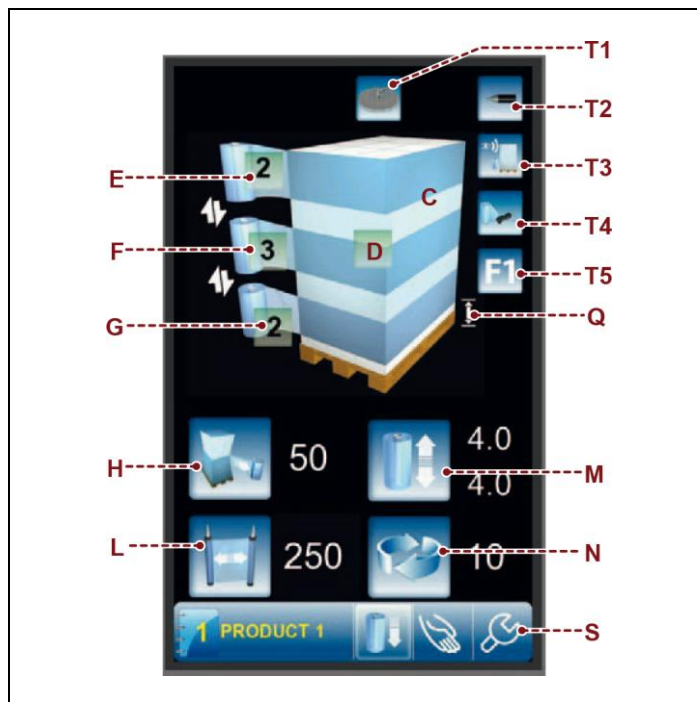
Icon	Description of the function
1	Lower wrapping
2	Reinforcing wrapping
3	Upper wrapping
4	Film stretch
5	Film pre-stretch
6	Carriage upstroke speed
7	Carriage downstroke speed
8	Table rotation speed

- B) Button: it is used to close the programming window.
C) Bar: it is used to (quickly) increase or decrease the value displayed in the area (E).
D) Buttons: they are used to increase or decrease (one unit at a time) the value displayed in the area (E).
E) Area: it displays the programmed parameter value.



6.4. "HOME" PAGE

The page displays the wrapping values currently in use and gives access the other pages.










- C) **Area:**
it displays the preview of the selected pallet wrapping cycle.
- D) **Button:**
it is used to display the "wrapping cycle" page.
- E) **Button:**
it is used to program the number of wrappings in the upper end of the pallet.
The displayed number indicates the programmed value.
- F) **Button:**
it is used to program the number of reinforcing wrappings in the intermediate area of the pallet.
The displayed number indicates the programmed value.
- G) **Button:**
it is used to program the number of wrappings at the base of the pallet.
The displayed number indicates the programmed value.
- H) **Button:**
it is used to program the film stretch value.
The displayed number indicates the programmed value.
- L) **Button:**
it is used to program the film pre-stretch value (only for "212" carriages).
The displayed number indicates the programmed value.
- M) **Button:**
it is used to program the speed of the carriage vertical movement.
The displayed number indicates the programmed value.
- N) **Button:**
it is used to program the machine wrapping speed.
The displayed number indicates the programmed value.
- O) **Button:**
it is used to copy the data from one layer to another.
- P) **Wrapping cycle.**
- Q) **Distance from the ground at wrapping start.**
- R) **Reinforcing wrapping programming.**

Some buttons T, described below, may be disabled/hidden depending on the configurations.

- T1) Presser.
- T2) Cut.
- T3) Altimeter.
- T4) Creasing head.
- T5) F1 Special cycle.
- S) Toolbar:









The toolbar is displayed in every page and features only the buttons which can be activated.

The list includes the description of the elements (buttons, icons, etc.) displayed in the area.

	<p>Button: it is used to display the “recipes” page. The displayed number indicates the activated recipe.</p>
	<p>Area: it displays the name of the active recipe.</p>
	<p>Button (jog): it is used to move the carriage back to the lower limit switch. When the carriage is at the lower limit switch, the button is not displayed. Press the “cycle stop” button to stop the movement.</p>
	<p>Button: it is used to display the “manual handling” page.</p>
	<p>Button: it is used to display the “general parameters” page.</p>
	<p>Button: it is used to display the upper level page.</p>
	<p>Button: it is used to display the “home” page.</p>

6.5. "MANUAL HANDLING" PAGE

The page displays the controls to activate the spool carriage vertical movement in "manual mode".

	<p>Button (hold to run): it is used to activate the carriage upstroke.</p>
	<p>Button (hold to run): it is used to activate the carriage downstroke.</p>
	<p>Button (hold to run): it is used to activate the table clockwise rotation.</p>
	<p>Button (hold to run): it is used to activate the table counter-clockwise rotation.</p>
	<p>Button (hold to run): it is used to activate the presser arm upstroke.</p>
	<p>Button (hold to run): it is used to activate the presser arm downstroke.</p>
	<p>Button (hold to run) it is used to activate the carriage return and the table synchronisation.</p>
	<p>Button: it is used to display the "home" page.</p>

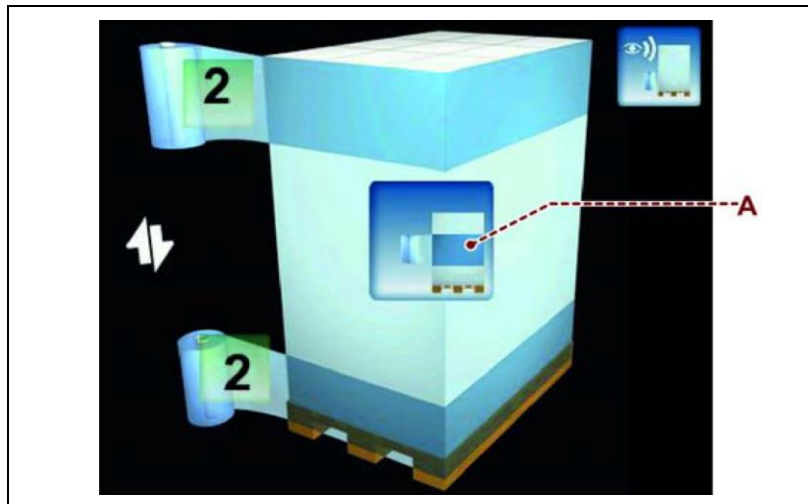
6.5.1. MANUAL REINFORCEMENT FUNCTION

**Important**

This function cannot be performed with layered recipes.

When performing a standard recipe, during the carriage upstroke or downstroke, after having performed the wrapping at the base of the pallet or at its upper end, it is possible to manually perform intermediate wrapping by pressing the button (A) with two different modes:

- Keep the button (A) pressed to stop the carriage performing reinforcement wrapping until the button is released.
- Repeatedly press the button (A) to make the carriage perform as many reinforcement wrapping turns as the times the button has been pressed (1+9 turns).

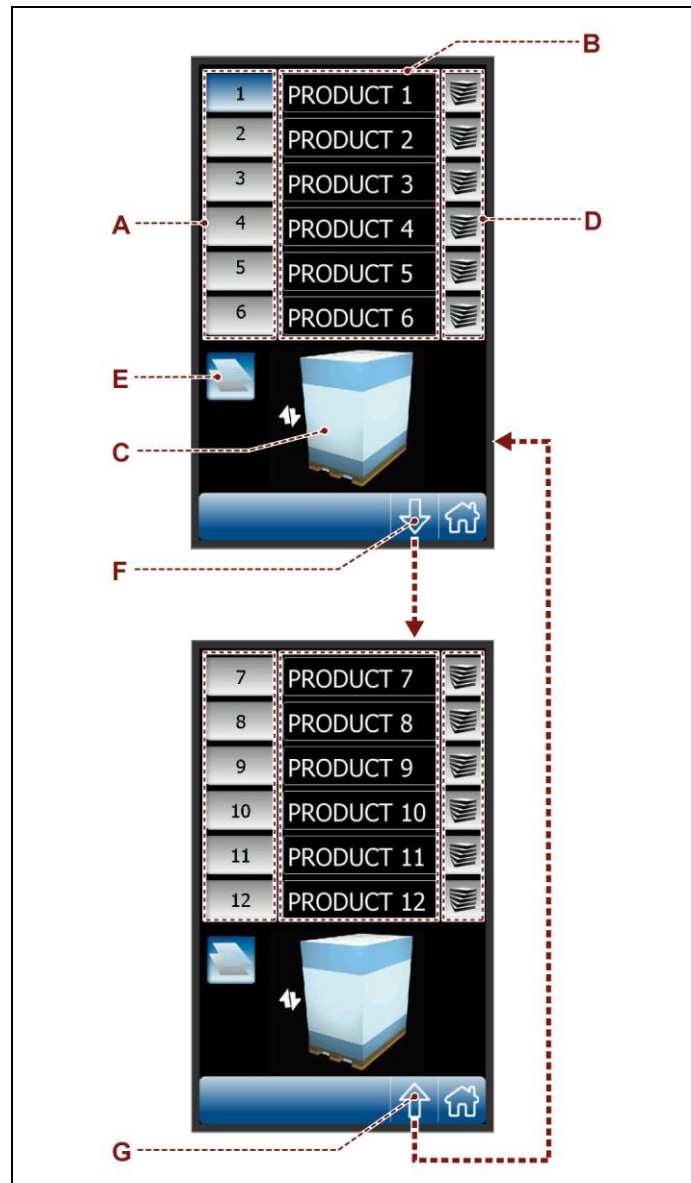
**Important**

The button is visible only during the machine automatic operation.

6.6. "RECIPES" PAGE

The page displays the controls to activate the concerned recipe.






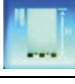





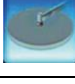

- A) Buttons: they are used to activate the concerned recipe.
Red background: function enabled.
- B) Buttons: they are used to program the recipe name.
- C) Area: it displays the preview of the selected pallet wrapping cycle.
- D) Buttons on the RH: they are used to activate the layered cycle.
- E) Button: it is used to copy the data from one recipe to another.
- F) Button: it is used to display the next recipe page.
- G) Button: it is used to display the previous recipe page.



6.7. "WRAPPING CYCLE" PAGE

The page displays the controls to program the wrapping cycle.

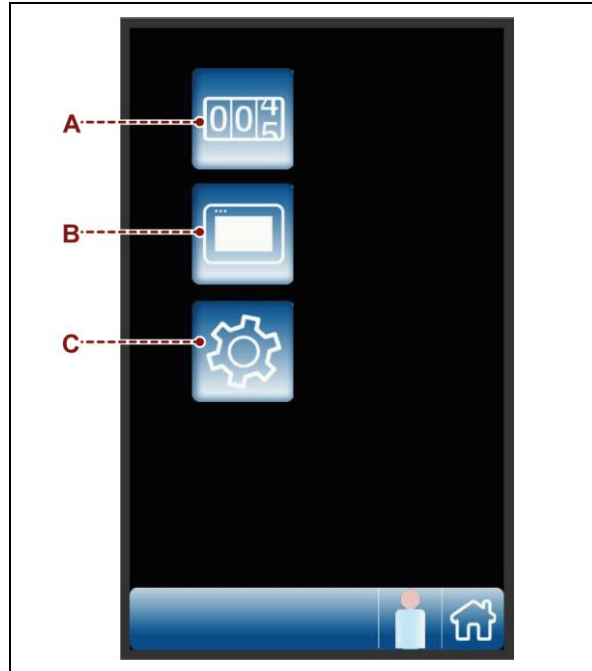
At every activation, the button displays the enabled function with the reference icon.

	<p>A) Area: it displays the recipe name and number.</p>
  	<p>C) Button: it is used to select the type of pallet wrapping cycle. Icon (C1): it is used to select the "single wrapping" cycle.</p>
	<p>Icon (C2): it is used to select the "double wrapping" cycle.</p>
	<p>Icon (C3): it is used to select the "double wrapping cycle with feeder".</p>
 	<p>D) Button: it is used to select the stop modes (automatic or programmed) of spool carriage during upstroke. Icon (D1): it is used to select the automatic stop of the spool carriage (upstroke phase) depending on the height of the pallet being wrapped.</p>
	<p>Icon (D2): it is used to select the programmed stop of the spool carriage (upstroke phase) depending on the height of the pallet.</p>
	<p>Enabling this button, (altimeter) will display another button next to button (E) to set the pallet height. To obtain a wrapping delay when this function is active, it is necessary to set a height greater than that of the product to be wrapped. E) Button: it is used to program the delay of the stopping point of the spool carriage during the upstroke phase (only with automatic stop).</p>
	<p>F) Button: it is used to enable and disable the programming of the distance from the ground (offset) at the beginning of wrapping. - Blue background: Function enabled. - Grey background: Function disabled.</p>
	<p>G) Buttons: they are used to program the positioning value and the number of reinforcing wrappings. The buttons are visible only if the function has been enabled with the button (F).</p>
	<p>H) Button: it is used to enable and disable the reinforcing wrapping programming mode. - Blue background: Function enabled. - Grey background: Function disabled.</p>
	<p>L) Buttons: they are used to program the positioning value and the number of reinforcing wrappings. The buttons are visible only if the function has been enabled with the button (H).</p>
	<p>M) Button: it is used to enable and disable the cycle programming mode with the presser (Optional).</p>
	<p>N) Button: it is used to access the page of special cycles (F1, F2,...).</p>

6.8. "GENERAL PARAMETERS" PAGE

The page is used to program the machine operating parameters.

- A) Button: it is used to display the "production counters (pallets)" page.
- B) Button: it is used to display the "H.M.I. settings" page.
- C) Button: it is used to display the "service" page.



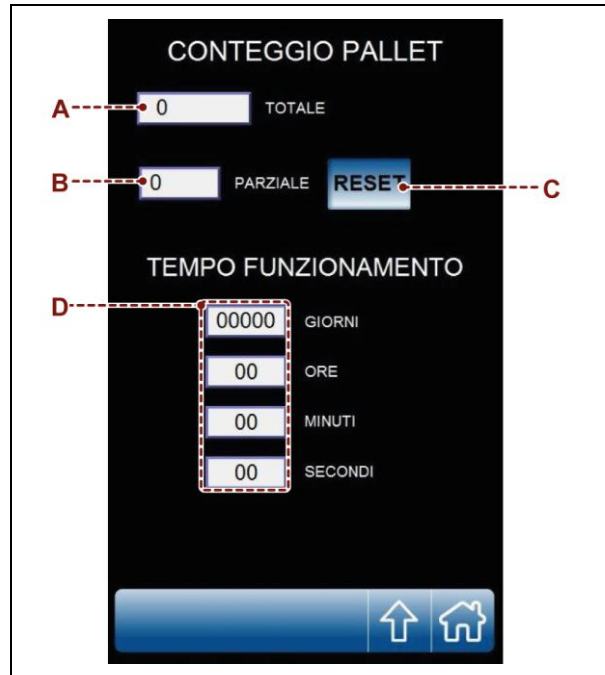
6.9. "PRODUCTION COUNTERS (PALLET)" PAGE

The page displays the controls to check the quantity (partial and total) of the pallets made.

- A) Area: it displays the counter (total) of the wrapping cycles performed by the machine.
- B) Area: it displays the counter (partial) of the wrapping cycles performed by the machine.
- C) Button: it is used to reset counter (B).

The function is active only if the system is accessed by a "machine operator" user (see the "enter password page (user login)").

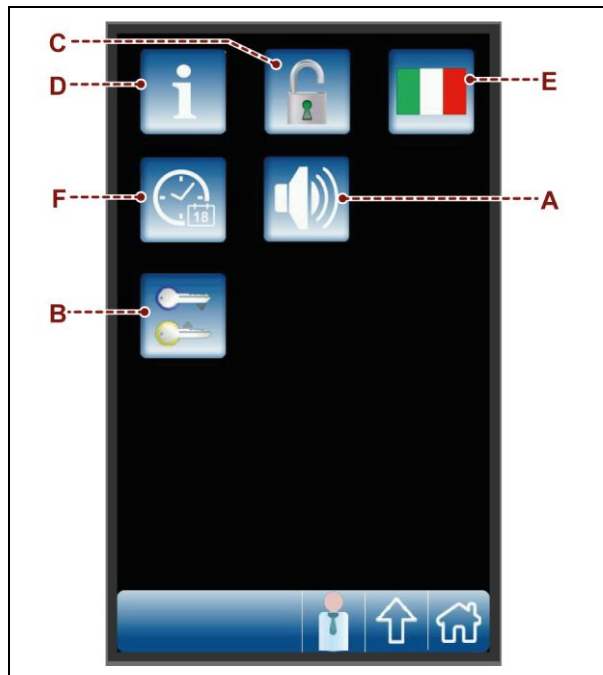
- D) Area: it displays the machine operating time in days, hours, minutes and seconds.



6.10. "HMI SETTINGS" PAGE

The page displays the controls to customise the user interface operating mode.

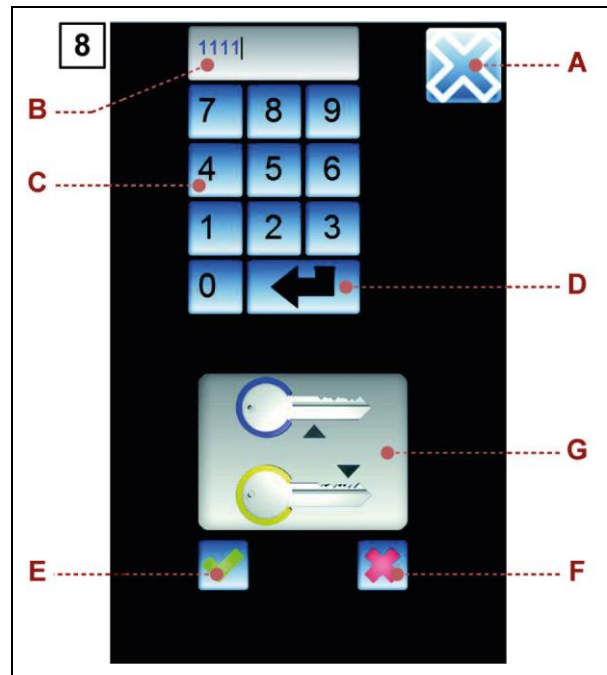
- A) Button: it is used to enable and disable the display acoustic signal.
- B) Button: it is used to display the "change password" page .
- C) Button: it is used to enable and disable the recipe programming mode.
The function is active only if the system is accessed by a "machine operator" user (see the "enter password page (user login)".
- D) Button: it is used to display the page with the software version.
- E) Button: it is used to select the language.
- F) Button: it is used to display the page for setting date and time.



6.11. "PASSWORD CHANGE" SCREEN

The page displays the controls to change the password to access protected functions.

- A) Button: it is used to display the upper level page .
- B) Area: it displays the entered characters.
- C) Numerical keyboard.
- D) Button: it is used to confirm the entered values.
The activation of the control is signalled by the animation of icon (G).
- E) Button: it is used to save the password.
The control is enabled only if the animation of icon (G) is active.
- F) Button: it is used to reset the entered values.
The activation of the control disables the animation of icon (G).



6.12. "ENTER PASSWORD" SCREEN (USER LOGIN)

The page displays the controls to enter the password (relating to the selected user) to access the protected functions.

A) Button: it is used to select the type of user concerned.

At every activation, the button displays the enabled function with the reference icon.

- Icon **(A1)**: it is used to select the "machine operator" user.
- Icon **(A2)**: it is used to select the "service support" user.
- Icon **(A3)**: it is used to select the "software administrator" user.

B) Area: it displays the entered characters.

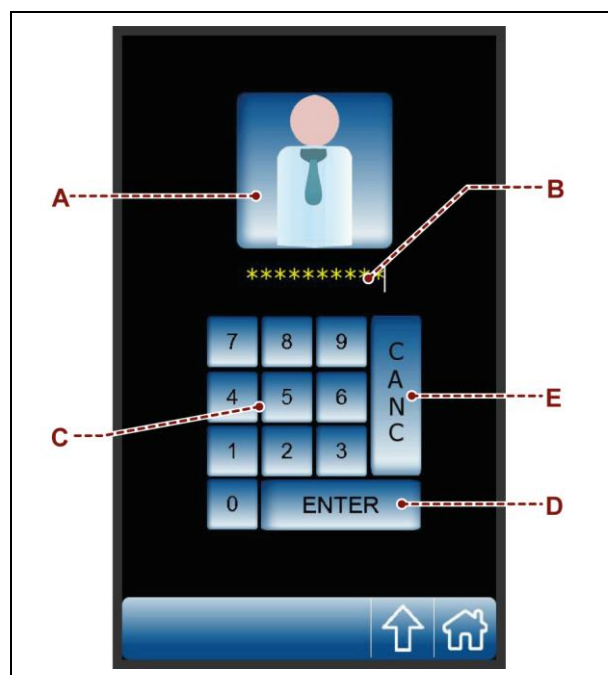
C) Numerical keyboard.

D) Button: it is used to confirm the entered password (login).

To prevent another type of user from accessing the protected functions, use one of the following procedure to perform the "user logout" at the end of the operations.

- Touch the icon **(A1)** located in the toolbar.
- Switch the machine off and then on again.

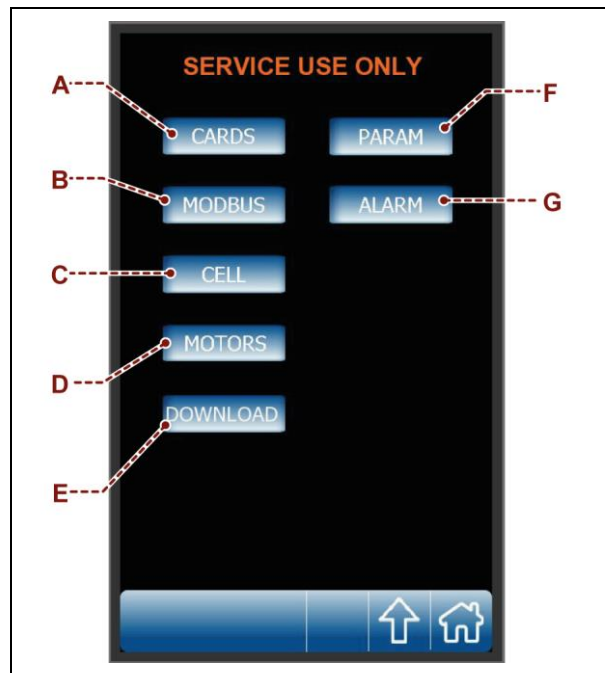
E) Button: it is used to delete incorrect entered values.



6.13. "SERVICE" SCREEN

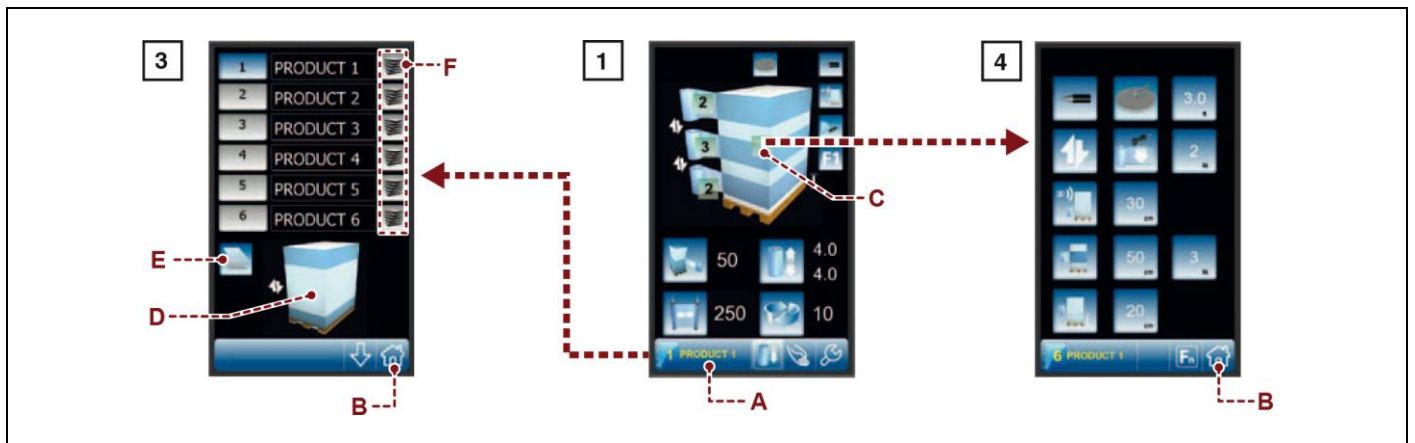
The page is reserved to the Manufacturer's Service support only, to perform diagnostics and basic programming.

- A) Button: it is used to display the status of the various electronic components of the electric control panel.
- B) Button: it is used to display the **MODBUS** status.
- C) Button: it is used to display the load cell offset.
- D) Button: it is used to display the status of motors.
- E) Button: it is used to update the software.
- F) Button: it is used to display the machine set-up general parameters.
- G) Button: it is used to display the alarm log.



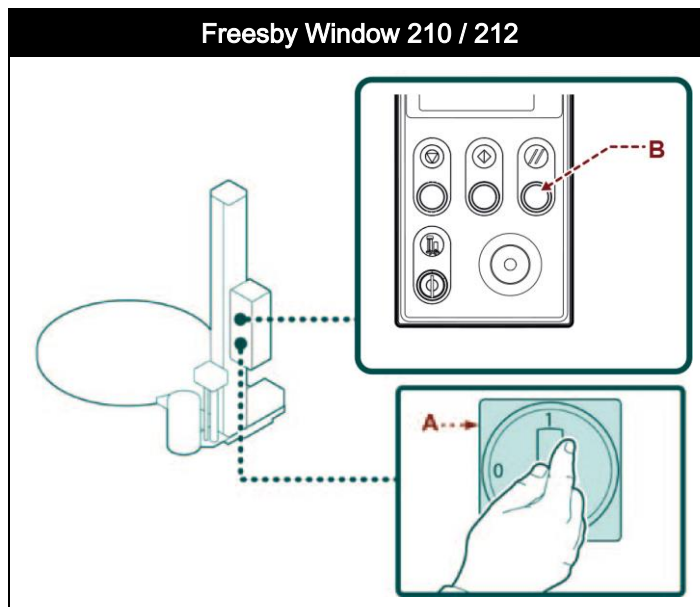
6.14. NEW RECIPE PROGRAMMING

1. Display the “home” page 1.
2. Press the button (A) to display the “recipes” page 3.
3. Press the key (F), corresponding to the desired recipe.
4. If necessary, press the button (E) to copy the data from one recipe to another.
5. Select the concerned recipe.
6. Set the recipe name.
7. Press the button (B) to display the “home” page 1.
8. Press the button (C) to display the “wrapping cycle” page 4.
9. Set the recipe parameters.
- The area (D) displays the preview of the selected pallet wrapping cycle.
10. Press the button (B) to display the “home” page 1.



6.15.MACHINE SWITCHING ON AND OFF

1. Turn the main switch (A) to I (ON) to activate the power supply. The display shows "RES".
2. Press the "Reset" button (B). The display goes into "standby" mode.
3. Set the cycle parameters (See "Cycle parameters setting").
4. Perform the cycle starting operations (see "Cycle start and stop").
5. Turn the main switch (A) to 0 (OFF) to switch the machine off.



6.16.CYCLE PARAMETERS SETTING

1. Switch on the machine (See "Machine switching on and off").
 2. Choose the recipe number.
 3. Press the button of the parameter to be edited to display the current value.
 4. Press the buttons + / -, or scroll with the cursor, to increase or decrease the value until the required one is obtained (See "programming window").
- This value will be stored in the relevant program.

6.17. DESCRIPTION OF THE WRAPPING CYCLES

6.17.1. SINGLE WRAPPING CYCLE

To select the “single cycle”, press the button (C1) and check that the relevant LED turns on.

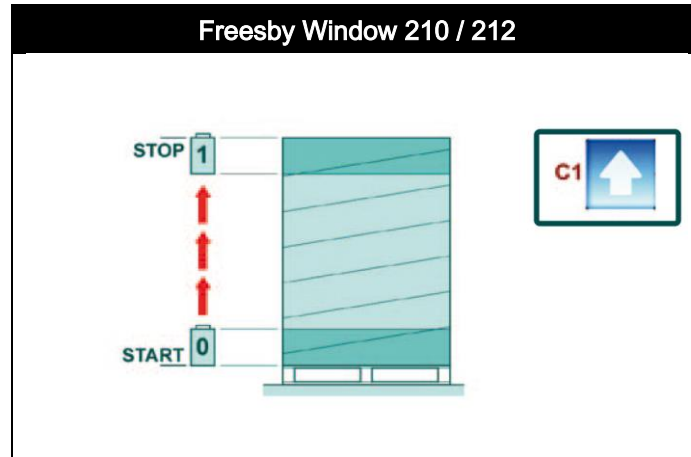
The spool carriage starts moving from the pallet base and stops when it reaches the upper end, after having performed the required number of wrapping turns at the base and at the upper end of the pallet.

Press the “START” button again to perform a second single wrapping cycle which starts from the top and goes down until reaching the pallet base.

(See Paragraph “Wrapping cycle page”).

0 START

1 STOP



6.17.2. DOUBLE WRAPPING CYCLE

To select the “double cycle”, press the button (C2) and check that the relevant LED turns on.

The spool carriage starts moving from the pallet base, rises until reaching the upper end and moves down until reaching the base, performing a double load wrapping.

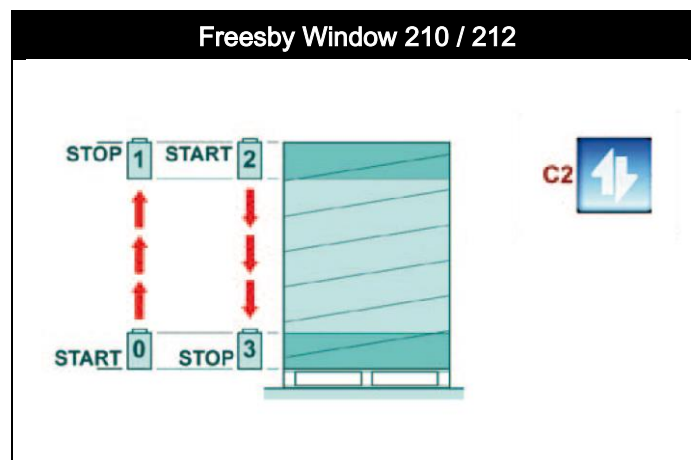
(See Paragraph “Wrapping cycle page”).

0 START

1 STOP

2 START

3 STOP



6.17.3. WRAPPING CYCLE WITH FEEDER

To select the cycle press the button (C3).

The machine performs a cycle aimed at making it easier for the operator to completely cover the pallet and ensuring the higher possible level of protection.

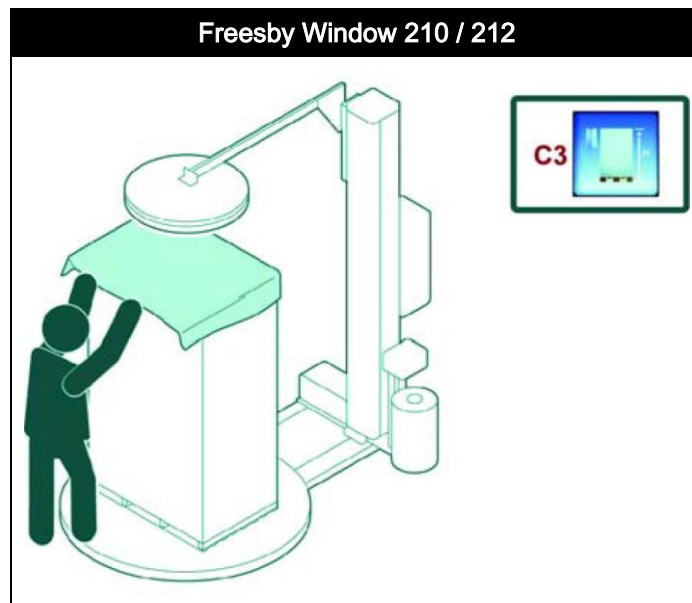
The spool carriage rises until reaching the carriage upper end, moves down again by approximately **300 mm** and stops in this position.

If the machine features a presser, it rises from the load by approximately **200 mm**.

At this point, the operator, after placing the covering sheet onto the top of the pallet, activates the cycle again by pressing the "START" button: the presser moves down again.

The carriage rises until reaching the pallet upper end, performs the programmed upper wrapping turns and moves down to complete the cycle.

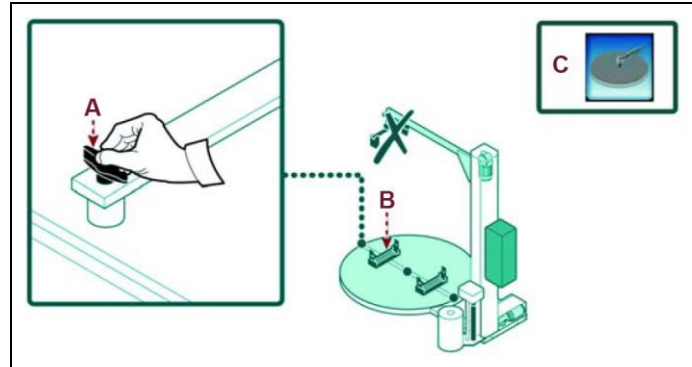
In this way, the position of the covering sheet, tightly bound to upward and downward film turns, is the most suitable for ensuring an optimum protection of the load against external agents (water, dust, etc.).



6.18. PRESETTING FOR PALLETISED LOAD WRAPPING

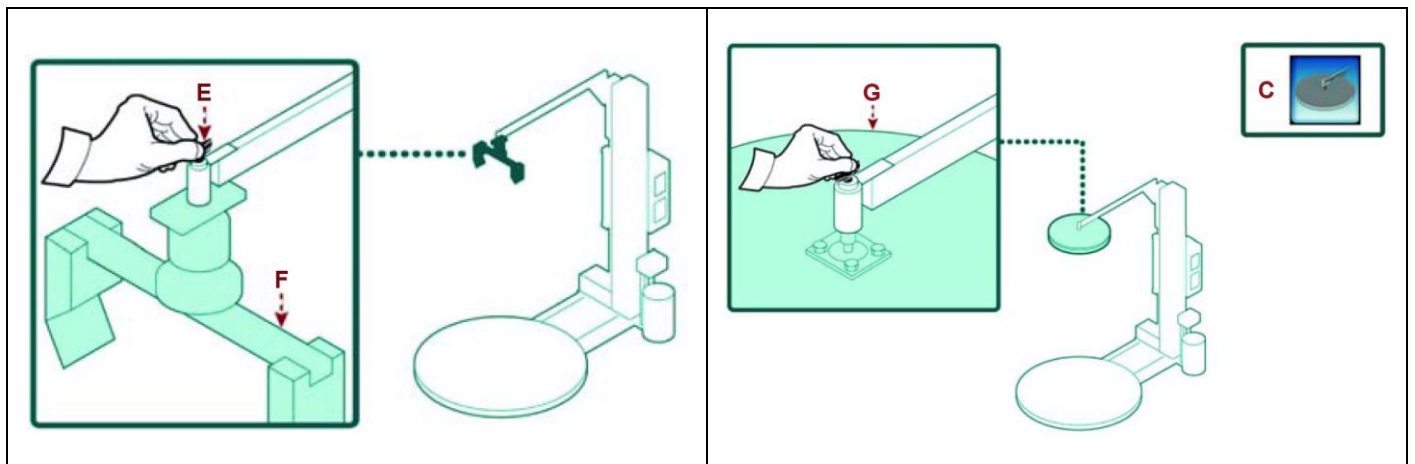
6.18.1. FREESBY WINDOW 210/212

1. Loosen the screws (A).
2. Remove clamping device (B).
3. Press button (C) to deactivate the presser.



6.18.2. FREESBY WINDOW 210/212

1. Loosen screw (E).
2. Remove clamping device (F).
3. Fit stabilising plate (G).
4. Press key (C) to activate the presser.
5. Press the foot control to lower the presser.



6.19. CYCLE START AND STOP

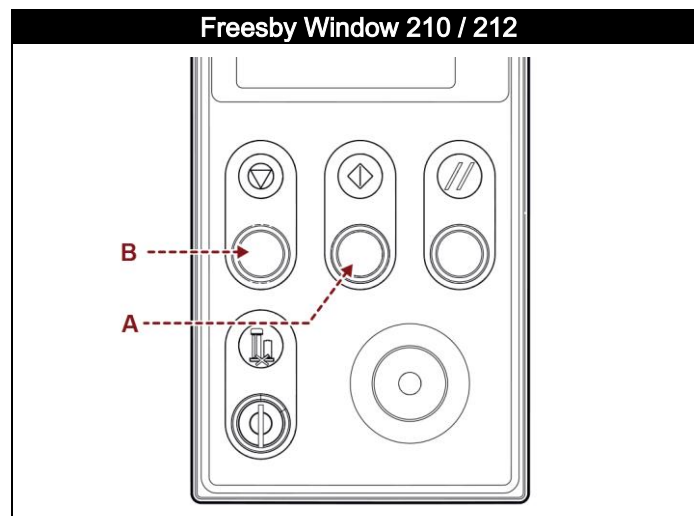
Proceed as follows.

1. Place the pallet on the rotary table and move the loading device away.
2. Fasten the film to the striker bracket (never to the gripper).
3. Press the "Cycle Start" button (A).
The machine completes the cycle and stops automatically.
4. Cut the film (If necessary).
5. Remove the pallet and position a new pallet to start a new cycle.



Important

To temporarily suspend the cycle, press the "Cycle stop" button (B).
Press the "Cycle Start" button (A) to restart it.



6.20. PRESSER HEIGHT CHANGE

- Presser unit can be supplied with pneumatic (stroke **800**) or mechanical cylinder version.
- The illustrations show the machine with the presser unit in the available versions.
- See tables to find the minimum height of the pallet to be wrapped in accordance with the version of the presser installed on the machine.

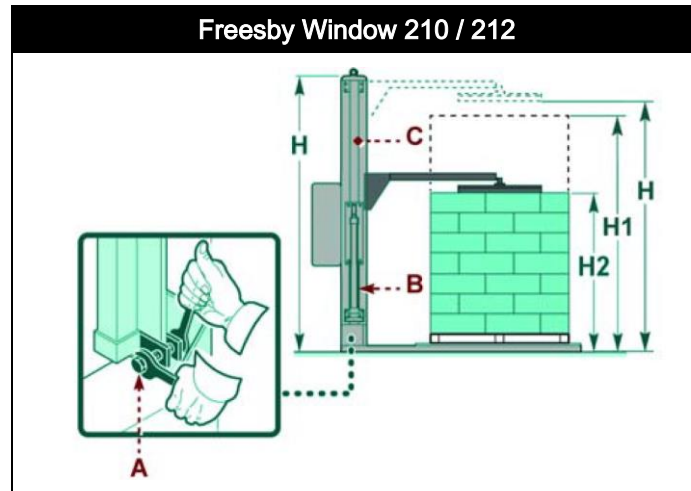


Caution - warning

For "LP" versions, remove the load after the wrapping cycle

6.21.PNEUMATIC CYLINDER WITH ROD

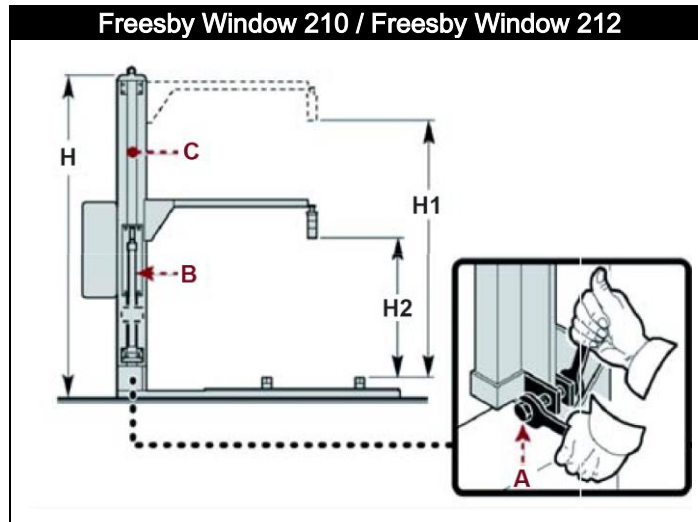
1. Loosen the screw (A).
2. Adjust the height of the pneumatic cylinder (B) on the guide (C) according to the size of the product to be wrapped.
3. Tighten the screw (A).



Presser unit version	Slide shaft H (mm)	Arm in normal position H1 (mm)	Arm in normal position H2 (mm)
Pneumatic cylinder with rod	2350	2200	1400
	2550	2400	1400
	2950	2800	1400
	3250	3100	1400

6.21.1. WINDOWS AND DOORS DIMENSIONS

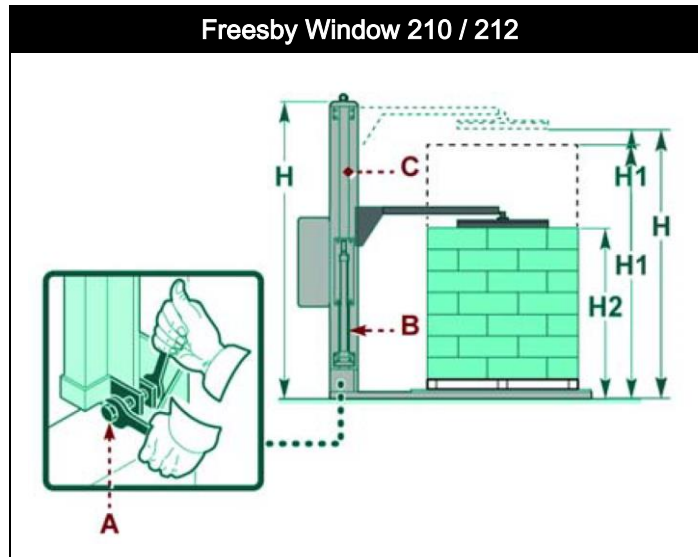
1. Loosen the screw (A).
2. Adjust the height of the pneumatic cylinder (B) on the guide (C) according to the size of the product to be wrapped.
3. Tighten the screw (A).



Presser height (Pneumatic cylinder with rod)

Presser unit version	Slide shaft H (mm)	Freesby Window 210 / Freesby Window 212	
		H1 (mm)	H2 (mm)
Pneumatic cylinder with rod	2760	2100	1050
	3160	2500	1050
	3460	2800	1050

6.21.2. PALLETISED LOAD DIMENSIONS



1. Loosen the screw (A).
2. Adjust the height of the pneumatic cylinder (B) on the guide (C) according to the size of the product to be wrapped.
3. Tighten the screw (A).

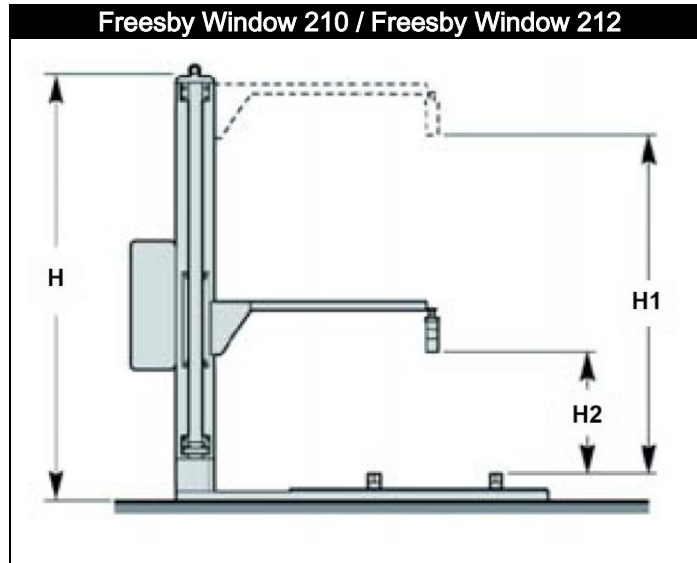
Presser height (Pneumatic cylinder with rod)

Presser unit version	Slide shaft	Arm in normal position	
	H (mm)	H1 (mm)	H2 (mm)
Pneumatic cylinder with rod	2350	2200	1400
	2550	2400	1400
	2950	2800	1400
	3250	3100	1400

6.22.MECHANICAL PRESSER

6.22.1. WINDOWS AND DOORS DIMENSIONS

This presser does not need any adjustment for wrapping heights within 450 ÷ 2800 mm.

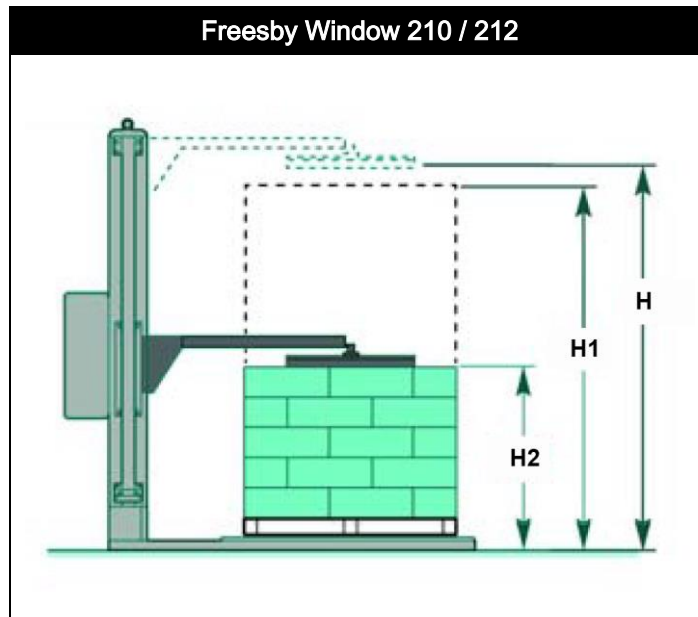


Presser height

Presser unit version	Slide shaft	Freesby Window 210 / Freesby Window 212	
		H1 (mm)	H2 (mm)
Pneumatic cylinder with rod	H (mm)		
	2760	2100	550
	3160	2500	550
	3460	2800	550

6.22.2. PALLETISED LOAD DIMENSIONS

This presser does not need any adjustment for wrapping heights above 750 mm.



Presser height

Presser unit version	Slide shaft	Arm in normal position	
	H (mm)	H1 (mm)	H2 (mm)
Pneumatic cylinder with rod	2350	2200	750
	2550	2400	750
	2950	2800	750
	3250	3100	750

6.23.SPOOL LOADING

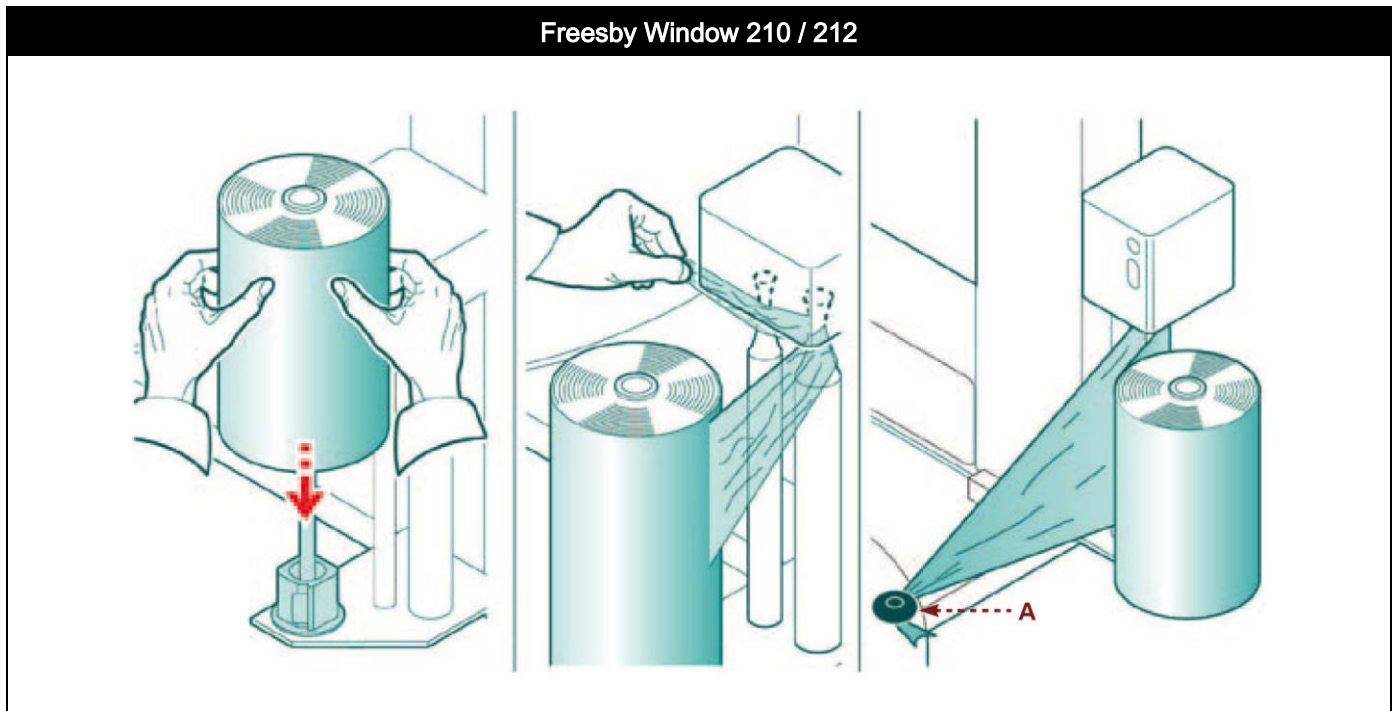
1. Insert the film spool into its seat on the spool carriage.
2. Gather the film to make a thin cord and make it pass between the double-cone surfaces.



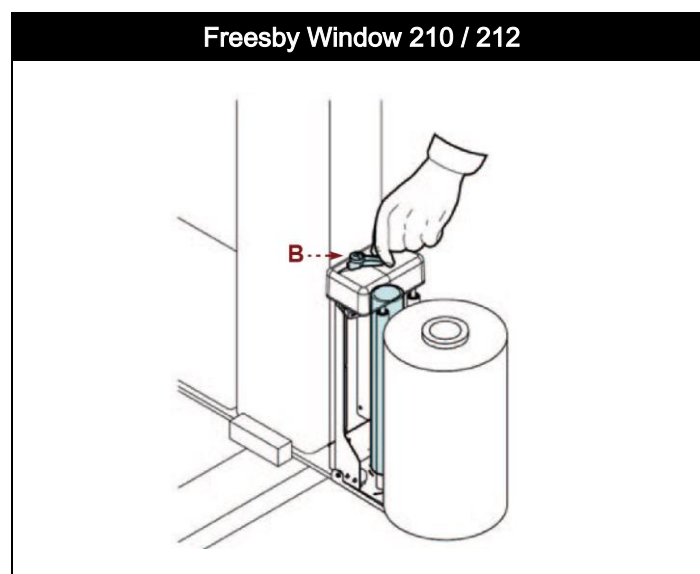
Important

Unwind the film following the path engraved on the spool carriage plate.

3. Pull the cord outwards.
The film automatically moves down to the roller and covers it over its entire length.
4. Lock the film end into the suitable locking disc (A) on the rotary table.

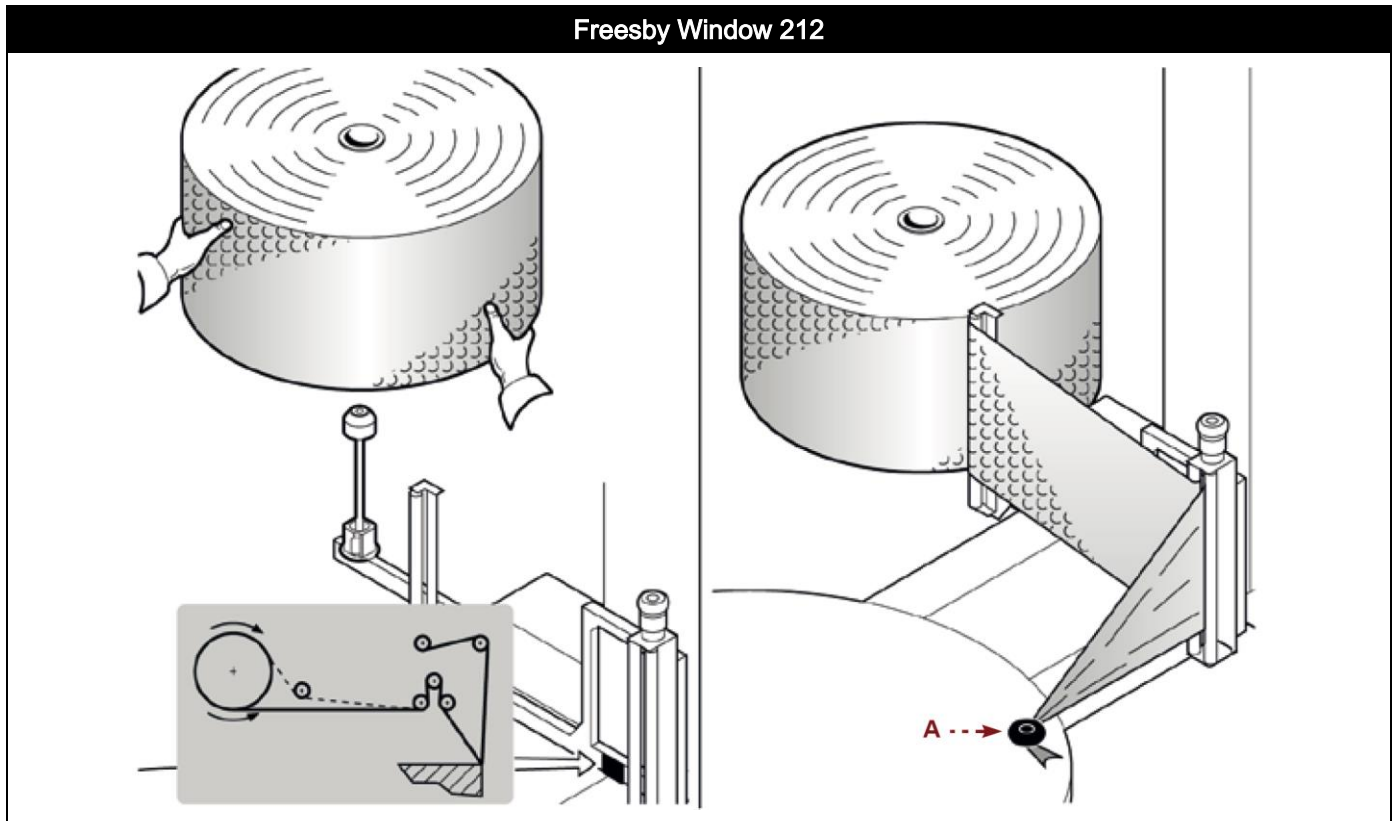


To allow film or mesh routing between rollers and unwinding on carriages of "FRD" type, it is necessary to unlock the brake by turning the handwheel (B) to pos. "0".



6.24. "BUBBLE WRAP" SPOOL LOADING

1. Insert the film spool into its seat on the spool carriage.
2. Unwind the film and insert it between the rollers following the diagram depicted on the specific plate.
3. Adjust the spool braking (see paragraph "Bubble wrap spool braking adjustment").
4. Lock the film end into the suitable locking disc (A) on the rotary table.



7. MAINTENANCE INFORMATION

7.1. RECOMMENDATIONS FOR MAINTENANCE

- Proper maintenance will allow a longer life span and constant compliance with safety requirements.
- Before performing any operation, the authorised operator must make sure to have understood the "Instructions for use".
- Pay attention to the safety warnings, do not misuse the machine and assess the possible residual risks.
- Carry out the interventions with all the safety devices enabled and wear the required PPE.
- Indicate the intervention areas and prevent access to the devices that, if activated, could cause unexpected hazards and compromise safety.
- Do not carry out interventions that are not described in the manual but contact an service centre authorised by the Manufacturer.
- Do not dispose of materials, polluting liquids and the waste generated during the interventions into the environment but dispose of them according to the standards in force.



Danger - warning

Before performing any maintenance operation, activate all safety devices provided and evaluate whether it is necessary to inform the personnel operating on the machine and the personnel nearby.

In particular, demarcate the neighbouring areas to prevent access to the devices that could, if activated, cause unexpected hazardous conditions posing a risk for people's safety and health.



Danger - warning

Maintenance operations must be performed with the machine disconnected from the power and pneumatic supplies.

The periodical check of the operation of some of the most important parts of the machine, may help to avoid operation problems and to maintain the machine to the maximum operating levels.

7.2. PERIODICAL MAINTENANCE INTERVALS



Important

Keep the machine in maximum efficiency conditions and perform all the scheduled maintenance operations provided for by the Manufacturer.

Proper maintenance will provide the best performance, a longer life span and constant compliance with safety requirements.

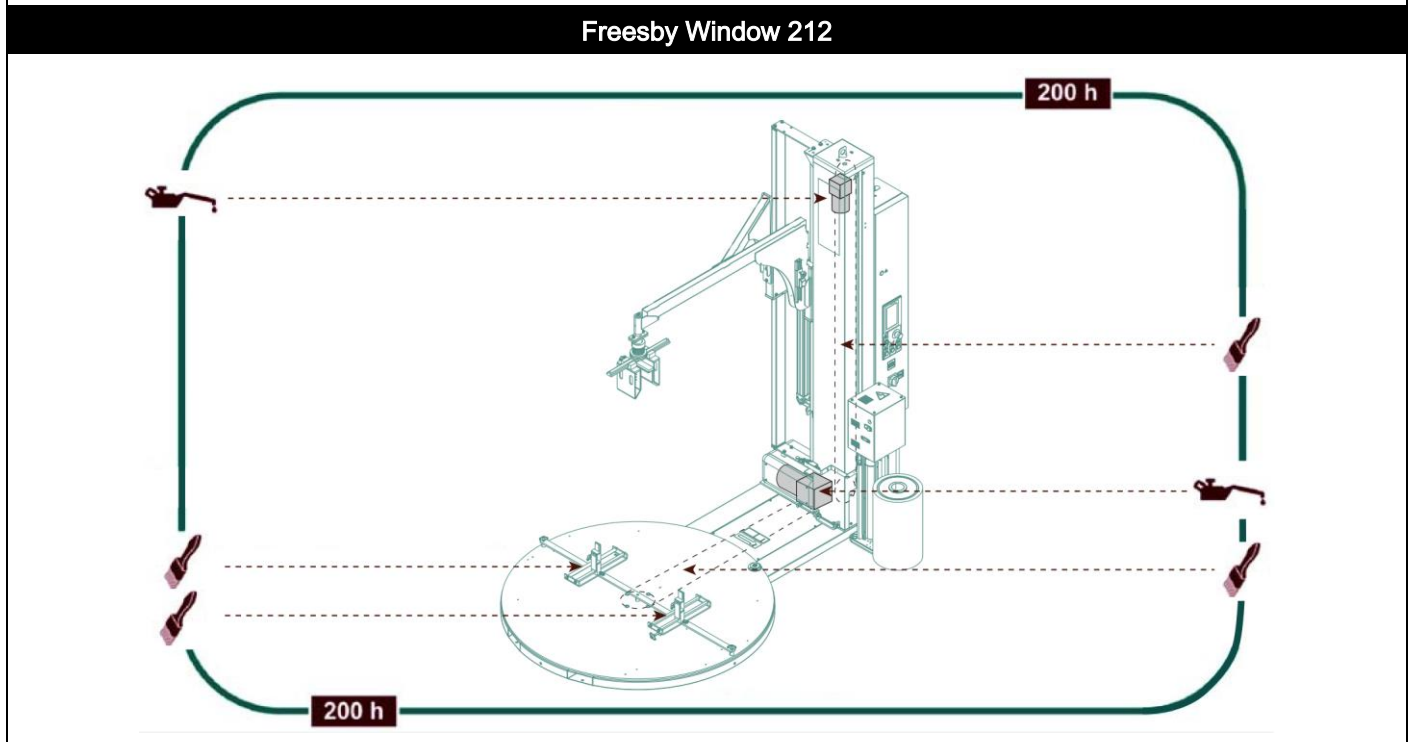
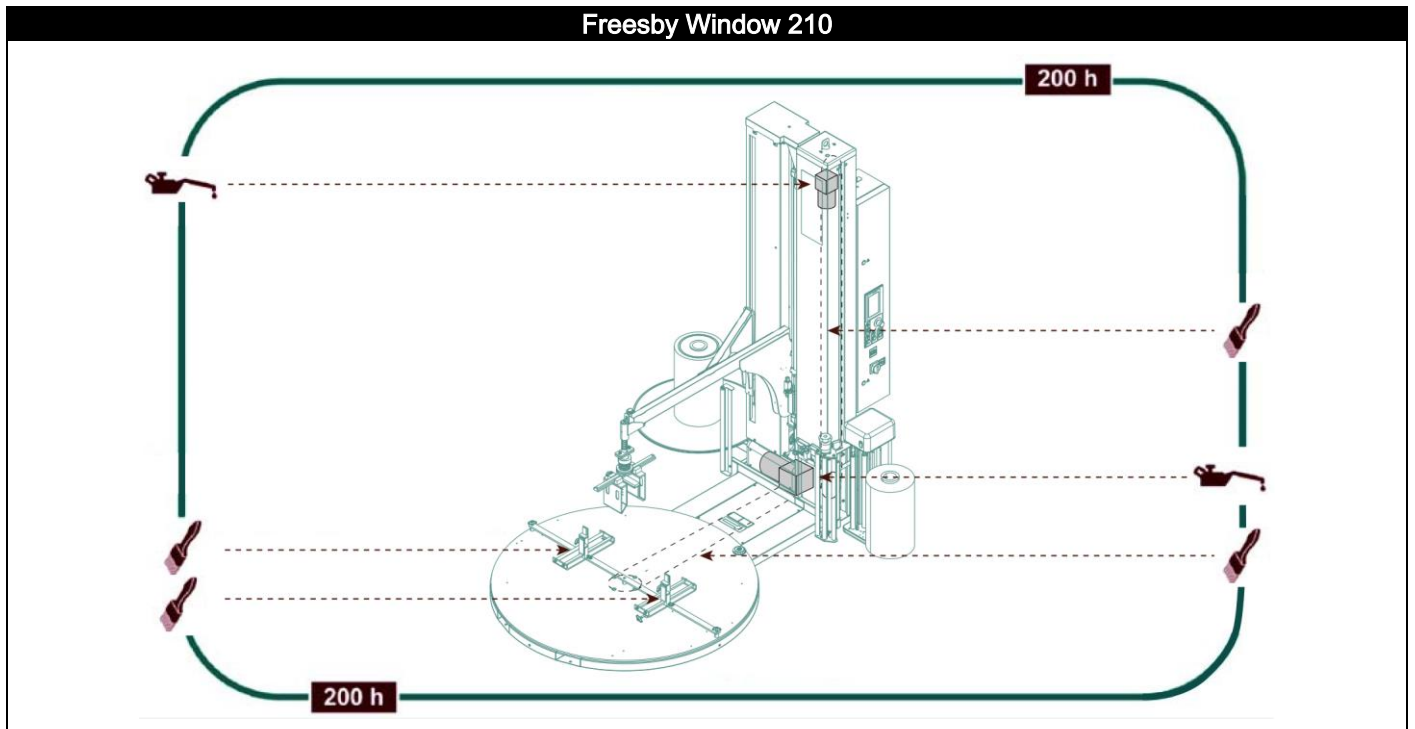
Maintenance interval table

Frequency	Component	Type of intervention	Intervention mode	Reference
Every 40 hours	Machine	Cleaning	cloth or air blow	-
	Air filter unit	Condensate drainage	-	See "Condensate drainage"
		Filter cleaning	Clean with an air jet and alcohol	See "Cleaning the air filter"
Every 200 hours	Rubber rollers	Cleaning	Clean with alcohol	-
	Lifting chains	Greasing	-	See "Lubrication point diagram"
		Tensioning check	Adjust	See "Spool carriage lifting chain adjustment"
	Table rotation chain	Greasing	-	See "Lubrication point diagram"
		Tensioning check	Adjust	See "Rotary table chain adjustment"
	Reduction units and gearmotors	Checking lubricant level ¹	Top up, if necessary, with lubricant of the same type	See lubricant table
Gear wheels of carriage pre-stretch gears	Greasing	-	See "Lubrication point diagram"	
Every 2000 hours	Lifting chains	Wear check	-	-
	Safety devices	Efficiency check	-	-
	Table rotation chain	Wear check	-	-
Every 5000 hours	Rotary table wheels	Replacement	-	See "Replacing the rotary table wheels"
	Carriage lifting wheels	Replacement	-	-
	Reduction units and gearmotors	Lubricant change ¹	Use lubricant with the same characteristics	See lubricant table

¹ Reduction units and gearmotors can be lubricated with grease, oil or for life, depending on their type. Topping up and/or change must not be performed in case of life-lubed reduction units and gearmotors.

7.3. LUBRICATION POINT DIAGRAM

The diagram shows the main parts concerned by the lubrication interventions and their intervals.



	Spread grease over it.
	Check the lubricant level. Do not top up and/or change in life-lubed reduction units and gearmotors.

7.4. LUBRICANT TABLE

The table shows the specifications of the lubricants recommended by the Manufacturer on the basis of reference components and/or areas.

Use lubricants (oils or grease) recommended by the Manufacturer or with similar chemical-physical features.

Lubricant characteristics

Lubricant type	Code	Parts to be lubricated
Mineral oil	23°C / 50°C - 320 CST 40°C MELLANA OIL 320 IP SPARTAN EP 320 ESSO BLASIA 320 AGIP MOBILGEAR 632 MOBIL OMALA EP 320 SHELL ENERGOL GR-XP 320 BP	Gear reduction unit
Mineral oil	32°C / 50°C - 460 CST 40°C MELLANA OIL 460 IP SPARTAN EP 460 ESSO BLASIA 460 AGIP MOBILGEAR 634 MOBIL OMALA EP 460 SHELL ENERGOL GR-XP 460 BP	Worm screw reduction unit
Grease	TELESIA COMPOUND B IP STRUCTOVIS P LIQUID KLUBER TOTALCARTER SYOO TOTAL	Gear reduction unit and worm screw reduction unit
Synthetic oil	TELESIA OIL IP SYNTHESO D 220 EP KLUBER BLASIA S 220 AGIP	Gear reduction unit and worm screw reduction unit
Lithium grease	ALVANIA R2 SHELL HL 2 ARAL ENERGREASE LS2 BP BEACON 2 ESSO MOBILIX MOBIL	Bearings with support
Synthetic oil	-5°C / +5°C VG 68 (SAE 20) +5°C / +25°C VG 100 (SAE 30)	Spool carriage lifting chain
Synthetic oil	+25°C / +45°C VG 150 (SAE 40) +45°C / +70°C VG 220 (SAE 50)	Table rotation chain

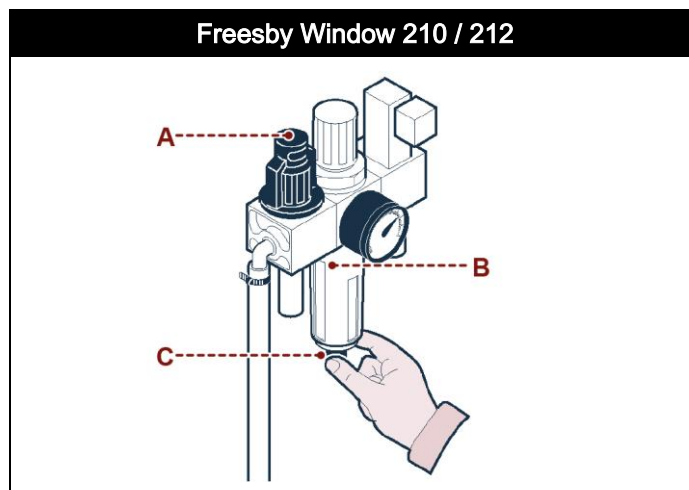


Important

Do not mix together oils of different brands or having different characteristics.

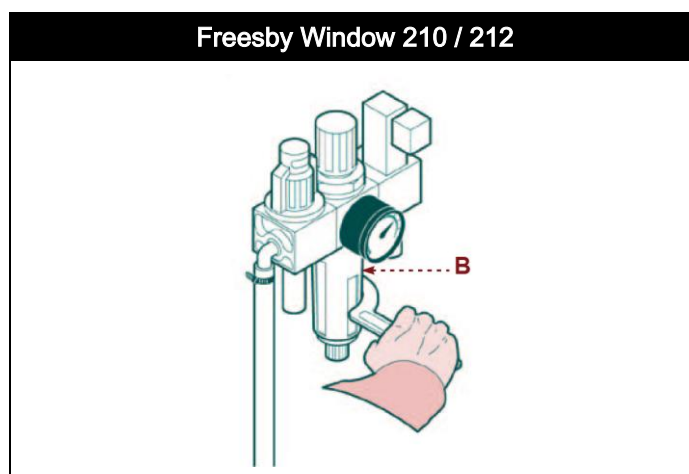
7.5. CONDENSATE DRAINAGE

1. Close the tap (A) and check the level of condensation in the container (B).
2. Unscrew, if necessary, the valve (C) to drain the condensation.
3. Push the valve (C) upwards until all condensation is let out.
4. Tighten the valve (C) again.



7.6. AIR FILTER CLEANING

1. Unscrew the container (B) with the specific wrench.
2. Remove the filter, clean it with compressed air and wash it, if necessary, with petrol or trichloroethylene.
3. Refit the filter and tighten the container (B).



7.7. MACHINE CLEANING

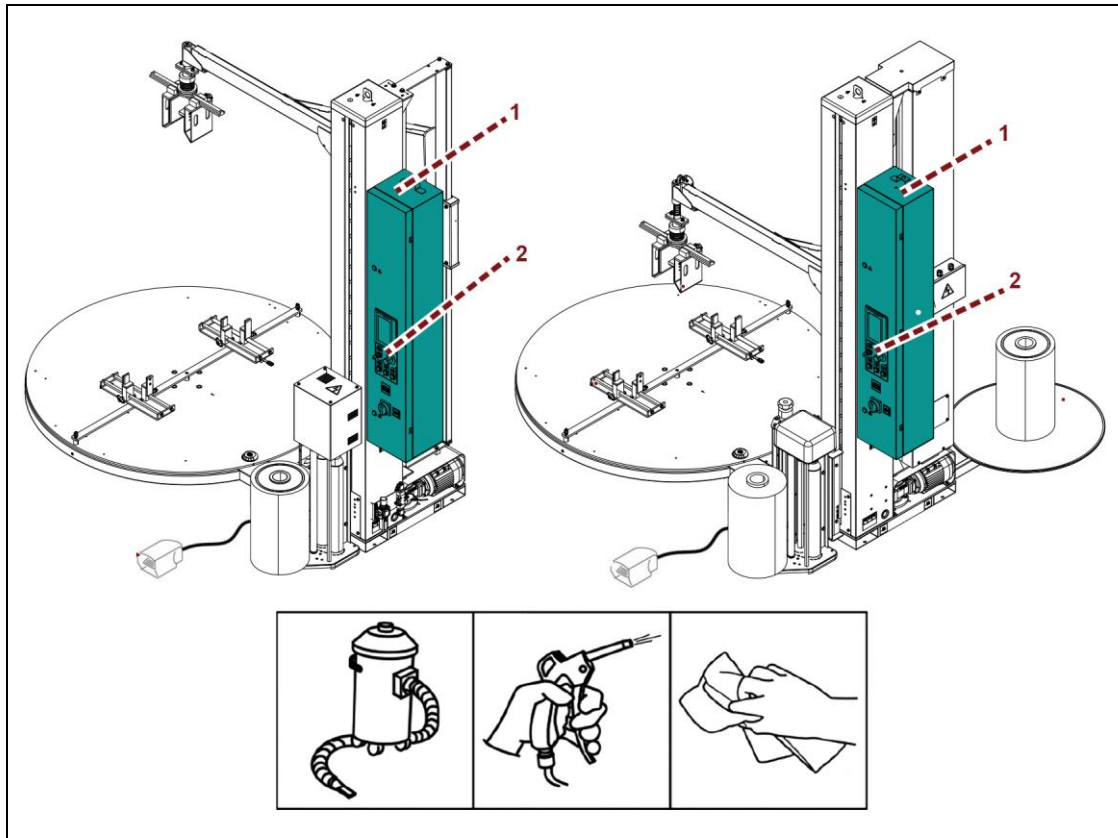
General cleaning of the machine is fundamental to guarantee its efficiency over time.

The whole machine must be kept free from dust, dirt and foreign bodies.

The chrome-plated shafts must be cleaned with a cloth and slightly lubricated with a cloth soaked in Vaseline oil.

The parts in plastic material (1) must be cleaned with a slightly damp cloth; do not use alcohol, petrol or solvents. Use only a dry cloth to dust the control panel (2).

For the cleaning of the parts inside the machine consult our technical assistance service.



8. FAULT INFORMATION

8.1. ALARM MESSAGES

In the event of a breakdown during operation the machine stops automatically and alarm messages appear on the display.

The table lists the displayed messages, the type of problem, the causes and possible solutions.



Important

For these operations a precise technical expertise or ability is required; therefore, these operations must be exclusively performed by qualified personnel with certified experience acquired in the specific field of intervention.

List of alarms

Code	Problem	Cause	Solution
E01	Emergency mushroom-head button alarm.	Emergency mushroom-head button pressed	Reset the button and press the "Reset" button
E02	Carriage emergency	An obstacle has been detected along the trajectory during the spool carriage downstroke.	Remove the obstacle and press the "Reset" button
E03	Hand pallet truck emergency	An obstacle has been detected on the pallet loading/unloading ramp.	Remove the obstacle and press the "Reset" button
E04	Protection alarm	Intervention of safety barriers or open door	Remove the obstacle and press the "Reset" button
E30	Inverter alarm: 1. Table 2. Carriage 3. Stretch 4. Pre-stretch 5. Presser	POWER DRIVER LOW POWER DRIVER HIGH OVER VOLTAGE MAX VOLTAGE UNDER VOLTAGE HW POWER CURRENT OVER HEAT PHASE FAIL CURRENT MAX CURRENT INT MAX PARAMETER WRONG COM.ERROR	Contact technical support
E60	"Film breakage" alarm	The film has broken or spool is finished	Insert the film or replace spool.
E61	Table synchronisation alarm	A fault or an obstacle is preventing the table from moving	Solve the fault or remove the obstacle and press the "Reset" button
E64	Blocked carriage alarm	The carriage has stopped its travel	Remove the obstacle and press the "Reset" button
E65	Blocked presser alarm	The presser has stopped its travel.	Remove the obstacle and press the "Reset" button
E71	Presser position alarm	Incorrect presser position	Move the presser down and start the cycle
E72	Roller Conveyor Photocell Alarm.	The roller conveyor is not stopped.	Act on the relevant lever to stop the roller conveyor.
E72	Roller Conveyor Photocell Alarm.	The roller conveyor is not synchronised.	Press the "Start cycle" button together with the (yellow) key "Table rotation speed", to bring the roller conveyor back to pallet loading/unloading position.
E83	MODBUS alarm.	Electronic fault	Contact technical support

9. REPLACEMENT INFORMATION

9.1. RECOMMENDATIONS FOR REPLACING MACHINE PARTS

- Before performing any operation, the authorised operator must make sure to have understood the "Instructions for use".
- Carry out the interventions with all the safety devices enabled and wear the required PPE.
- Demarcate the surrounding areas and put in place adequate safety measures, as provided for by the standards on workplace safety, in order to prevent and minimise the risks.
- Do not carry out interventions that are not described in the manual but contact an service centre authorised by the Manufacturer.
- Do not dispose of materials, polluting liquids and the waste generated during the interventions into the environment but dispose of them according to the standards in force.
- Replace the components only with original spare parts or parts with similar design and construction features. The use of similar but non-original spare parts may result in improper repairs, altered performance and economic damage.
- Safety components and/or devices must be replaced only with original spare parts to preserve the safety level required.



Important

Before performing any maintenance operation, activate all safety devices provided and evaluate whether it is necessary to inform the personnel operating on the machine and the personnel nearby.

In particular, demarcate the neighbouring areas to prevent access to the devices that could, if activated, cause unexpected hazardous conditions posing a risk for people's safety and health.

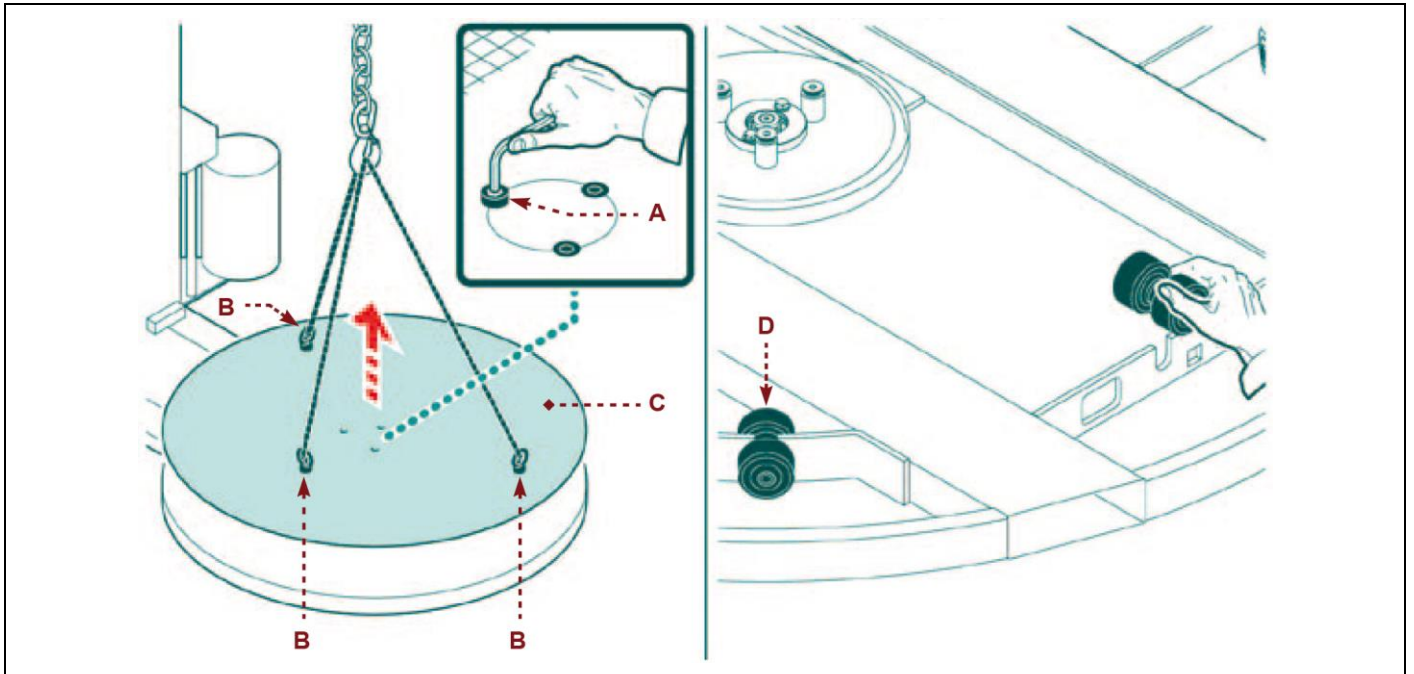
When replacing worn parts, use only original spare parts.

The Manufacturer is not responsible for any damage to property or injuries to people caused by the use of non-genuine spare parts or which may result from repairs not authorised by the Manufacturer.

When ordering new spare parts, follow the instructions given in the spare parts catalogue.

9.2. REPLACING THE ROTARY TABLE WHEELS

1. Loosen the screws (A).
2. Fit the eyebolts (B) and remove the upper plate (C).
3. Lift the table and place it on the ground.
4. Replace the wheels (D).
5. Reposition the table on the base and fasten it with the screws.



9.3. RECOMMENDED SPARE PARTS LIST

List of the spare parts that wear easily and that should be always available to avoid long machine downtimes:

- No. **14** double wheels for base.
- No. **8** carriage supporting wheels.
- No. **1** carriage clutch (Only for spool carriages of "**212**" type).
- No. **1** driving belt (Only for spool carriages of "**212**" type).
- No. **1** powder brake (Only for spool carriages of "**210**" type).

To order them, contact your local dealer and refer to the spare parts catalogue.



Important

Replace worn parts with original spare parts.

Use oils and greases recommended by the Manufacturer.

All the above will ensure the proper operation of the machine and the correct level of safety.

9.4. MACHINE DECOMMISSIONING AND SCRAPPING

9.4.1. MACHINE DECOMMISSIONING

- Cut off any supply to the machine (power, pneumatic, etc.) so that it cannot be restarted and position it in a place that cannot be easily accessed.
- Empty the systems, which contain hazardous substances, in a proper manner and in compliance with the laws in force at workplaces and with those on environmental protection.

9.4.2. MACHINE SCRAPPING

- Scrapping must be performed by authorised centres with experienced personnel and by using the appropriate equipment for safe operating conditions.
- The person who performs the scrapping must identify any possible residual energies and implement a “safety plan” to eliminate unexpected risks.
- The components must be selected according to the chemical and physical features of the material and disposed of separately, in accordance with the applicable laws.
- Empty the systems, which contain hazardous substances, in a proper manner and in compliance with the laws in force at workplaces and with those on environmental protection.

10. ANNEXES

10.1. WARRANTY CONDITIONS

Noxon S.p.A. commits, within the limits described herein, to replace or repair, free of charge, the parts that are defective during the 12 (twelve) months following the date indicated on the company's shipping documents.

To utilise the warranty, the user must immediately notify the company of the detected fault, always referring to the machine serial number.

Noxon S.p.A., in its final judgement, will decide whether to replace the defective part or request it to be shipped for tests and/or repair.

By replacing or repairing the defective part, **Noxon S.p.A.** fully complies with its warranty obligations and will be released from all liabilities and obligations relative to transport, travel and lodge expenses for technicians and installers.

Noxon S.p.A. will in no case be held responsible for any losses due to lack of production or injuries to persons or damage to things caused by malfunctions or forced downtime of the machine covered by the warranty.

THE WARRANTY DOES NOT COVER:

- Transport failures.
- Damage due to incorrect installation.
- Improper use of the machine or negligence.
- Tampering with or repairs by unauthorised personnel.
- Lack of maintenance.
- Parts subject to normal wear and tear.

For purchased components and parts, **Noxon S.p.A.** offers the user the same warranty conditions that the company obtains from the suppliers of the aforementioned components and/or parts.

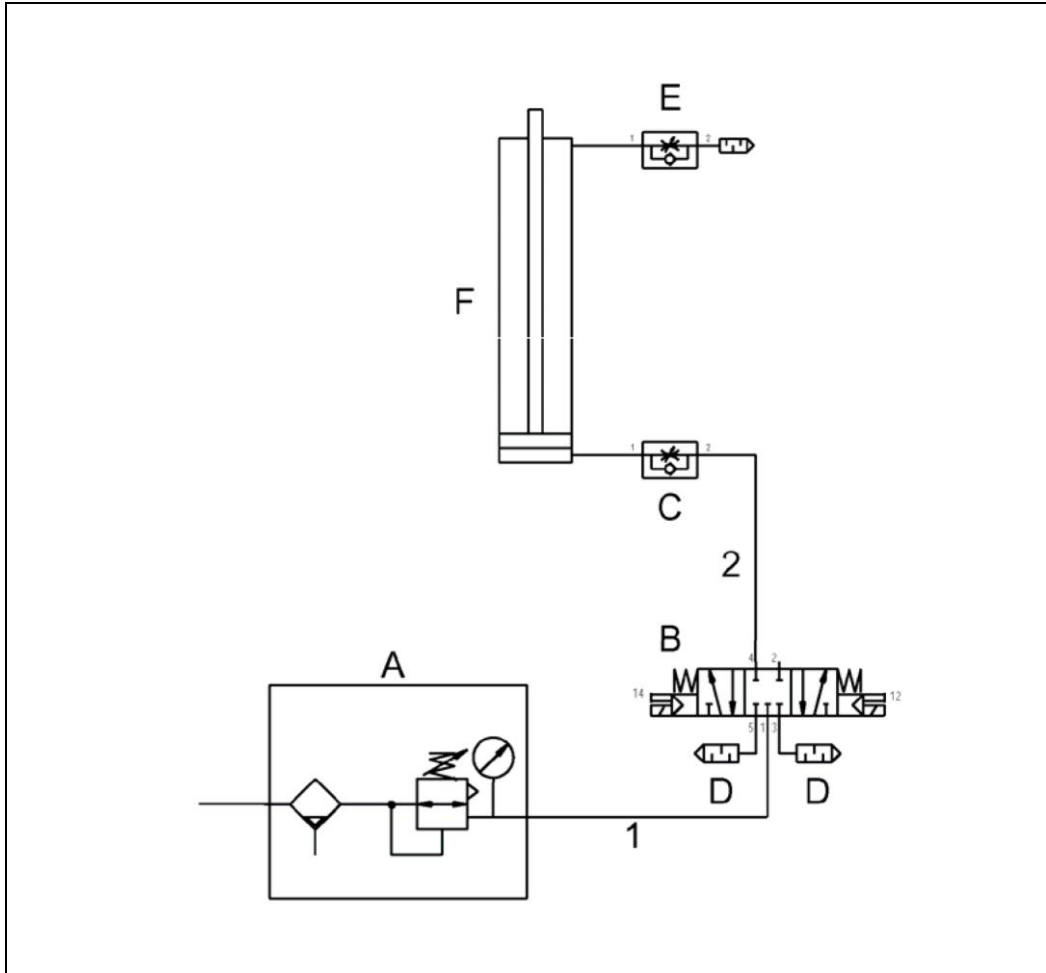
Noxon S.p.A. does not guarantee the conformity of machines to current standards in countries that are not part of the European Union.

Any adjustment to the regulations in force in the Country in which the machine is installed, will fall under the full responsibility of the user, who will be responsible also for the changes made, releasing **Noxon S.p.A.** from any obligation and/or liability relative to any claim that may be submitted by third parties due to non-compliance with the referenced standards.

10.2.PNEUMATIC DIAGRAM (PNEUMATIC CYLINDER WITH ROD)

Legend:

- A. Filter/regulator unit
- B. Solenoid valve
- C. Flow regulator
- D. Silencer
- E. Unloading regulator
- F. Presser actuating pneumatic cylinder



EC DECLARATION OF CONFORMITY



(Annex IIA DIR. 2006/42/EC)

Noxon S.p.A

Strada Molino Magi, 66 - 47892

Gualdicciolo Republic of San Marino

DECLARES THAT THE MACHINE

 Noxon S.p.A. Strada Molino Magi, 66 47892 – Gualdicciolo Repubblica di San Marino http://www.noxon.it/			
DENOMINAZIONE DENOMINATION			
MODELLO MODEL			
MATRICOLA SERIAL NUMBER			
DATA DATE OF MANUF.			
ALIMENTAZIONE SUPPLY VOL.		[V]	
FREQUENZA FREQUENCY		[HZ]	
N° FASI PHASE			
ASSORBIMENTO ABSORPTION		[A]	
POTENZA TOT. TOTAL POWER		[kW]	
CONSUMO ARIA AIR CONSUMPTION		[nl/min]	
PRESSIONE MAX MAX PRESSURE		[bar]	
PESO WEIGHT		[kg]	

IS IN CONFORMITY WITH DIRECTIVES

DIRECTIVE 2006/42/EC OF THE EUROPEAN PARLIAMENT AND OF THE COUNCIL of 17 May 2006 on machinery, and amending Directive 95/16/EC.

DIRECTIVE 2014/30/EU OF THE EUROPEAN PARLIAMENT AND OF THE COUNCIL of 26 February 2014 on the harmonisation of the laws of the Member States relating to electromagnetic compatibility.

Reference to harmonised standards and relevant annexes, in applicable points:

EN ISO 12100:2010, EN 60204-1:2006/A1:2009, EN 415-5:2010, EN 415-6:2013, EN 415-10:2014.

THE INDIVIDUAL AUTHORISED TO DRAFT THE TECHNICAL BOOKLET IS

Dott. Federico Spallino – B.U. Manager

c/o Aetna Group S.p.A.

S. P. Marecchia, 59

47826 Villa Verucchio

Rimini, Italy

Document date and place

Dott. Federico Spallino – B.U. Manager

San Marino,

Signature

Noxon S.p.a.

Strada Molino Magi, 66 - 47892 Gualdicciolo (Repubblica di San Marino) - Tel. +378 0549 942013

Reg. Società n. 2362 del R.G.S. del Tribunale della Repubblica di San Marino. Codice Operatore Economico SM07771 - Capitale Sociale Euro 258.000